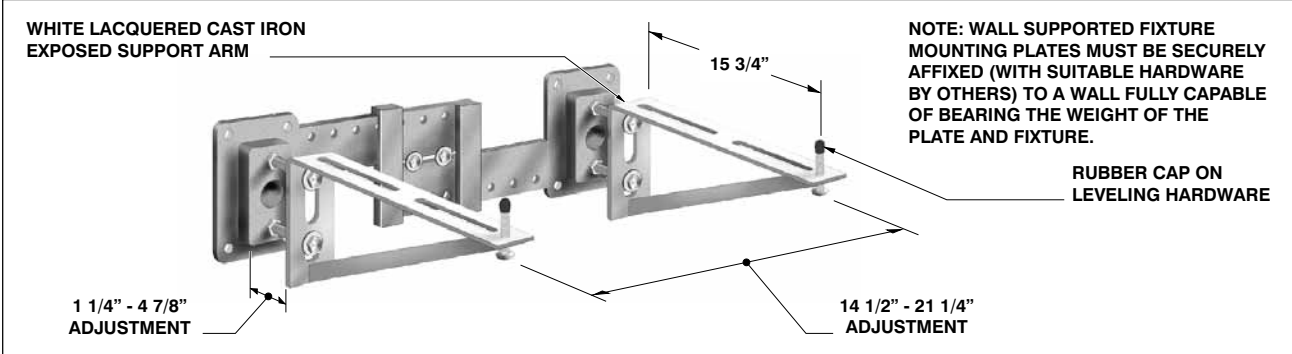


MC-56 SERIES

MC-56 SERIES EXPOSED ARMS WITH ADJUSTABLE SURFACE PLATE



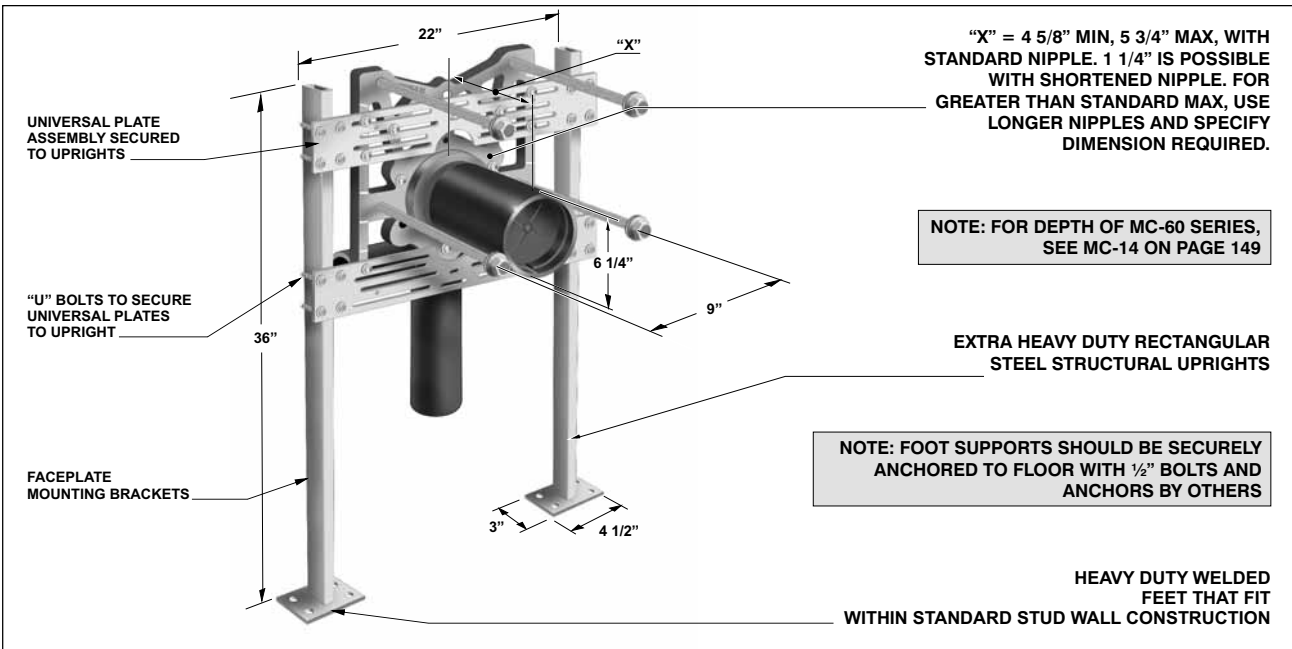
MODEL NO.	WT Lbs.	DESCRIPTION	LIST PRICE (PER SET)
MC-56	24.00	Exposed arms with adjustable surface plate	\$ 287.00
MC-56-LP	15.00	Exposed arms, less plate	\$ 312.00

MC-56 SERIES OPTIONAL VARIATIONS:

SUFFIX	DESCRIPTION	LIST PRICE	SUFFIX	DESCRIPTION	LIST PRICE
-A	Stud length over 6" (specify), Add per inch	\$ 25.00	-14	Vandal proof finish trim	\$ 64.00
-F	Bar support valve plate	\$ 73.00			

MC-60 SERIES

MC-60 SERIES FLOOR SUPPORTED SYSTEM WITH OUTLET CONNECTIONS FOR WALL URINALS AND SERVICE SINKS



MODEL NO.	WT Lbs.	DESCRIPTION	LIST PRICE
MC-61-N	55.00	Two vertical uprights with No Hub waste connection	\$ 585.00
MC-61-T	55.00	Two vertical uprights with female threaded connection	\$ 585.00
MC-62-3-V2	71.00	Two vertical uprights with 3" inline fitting with 2" vent	\$ 699.00
MC-62-4-V2	79.00	Two vertical uprights with 4" inline fitting with 2" vent	\$ 701.00
MC-62-4-V4	79.00	Two vertical uprights with 4" inline fitting with 4" vent	\$ 701.00

MC-61 and MC-62 OPTIONAL VARIATIONS:

SUFFIX	DESCRIPTION	LIST PRICE	SUFFIX	DESCRIPTION	LIST PRICE
-12*	12" tapered thread ABS nipple	No Add	-CI-12*	12" rolling thread cast iron nipple	\$ 49.00
-OR8	8" rolling thread ABS nipple	No Add	-CI-24	24" rolling thread cast iron nipple	\$ 152.00
-OR12*	12" rolling thread ABS nipple	No Add	-10	Auxilliary support, rec. W/ nipple lengths over 12"	\$ 421.00
-AH8	8" ABS nipple with adjustable horn	No Add	-14	Vandal proof finish trim	\$ 66.00
-AH12*	12" ABS nipple with adjustable horn	No Add	-19	Nipple wrench	\$ 52.00
-CI-4	4" rolling thread cast iron nipple	No Add	-20	Flush valve support	\$ 43.00
-CI-6	6" rolling thread cast iron nipple	No Add	-32	Foot pedal valve mounting plate	\$ 73.00
-CI-8	8" rolling thread cast iron nipple	No Add		* H-1167-KA-14 Threaded rods for 12" nipples (5/8" x 14")	\$ 12.00

Design and dimensions are subject to modification. Prices do not include applicable taxes. Visit www.mifab.com for the most recent product information.

MIFAB, Inc., 1321 West 119th Street, Chicago, Illinois 60643-5109, USA

Toll Free 1-800-465-2736, Fax 773-341-3049

All sales subject to MIFAB's Terms and Warranties. Please refer to inside front cover.

CARRIERS