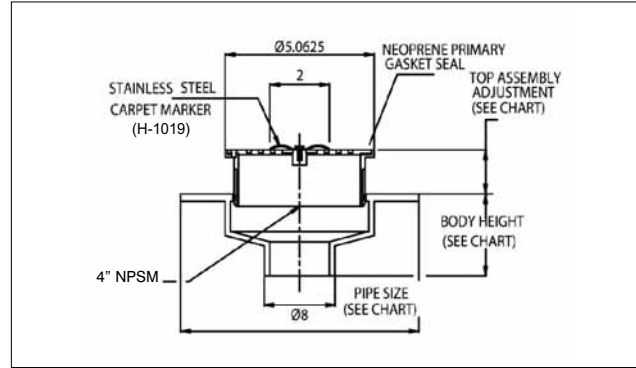
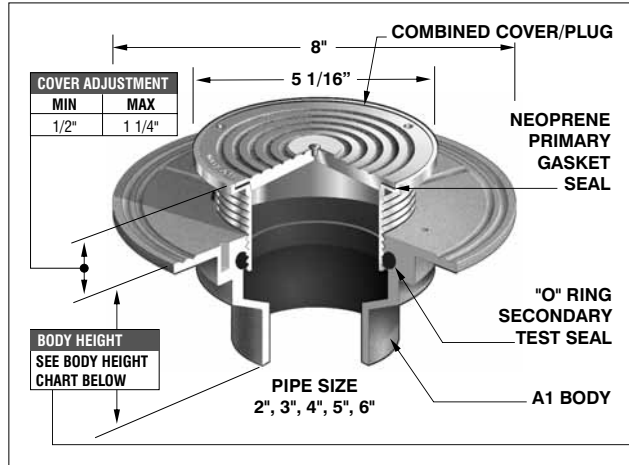


C1100-RC SERIES FLOOR CLEANOUT WITH ROUND TOP AND CARPET MARKER



C1100 SERIES MEETS ANSI CLEANOUT STANDARD A112.36.2M-1991

C1100-RC FLOOR CLEANOUT WITH ROUND TOP AND CARPET MARKER				
MODEL NUMBER	WT. Lbs	COVER SIZE	OUTLET SIZE	LAQ. CAST IRON BODY W/NICKEL BRONZE (-1)
C1102-RC	6.30	5" Round	2"	\$363.00
C1103-RC	5.75	5" Round	3"	\$381.00
C1104-RC	5.50	5" Round	4"	\$496.00
C1105,6-RC	7.50	5" Round	5", 6"	\$782.00
Add for large marker -F 5 1/2" Dia. SS marker flange \$147.00				

PARTS		A1 BODY	RC-1
ANSI/ASME RATING			
COVER	LOAD RATING		
5" DIA. NB	2000-4999 lbs		

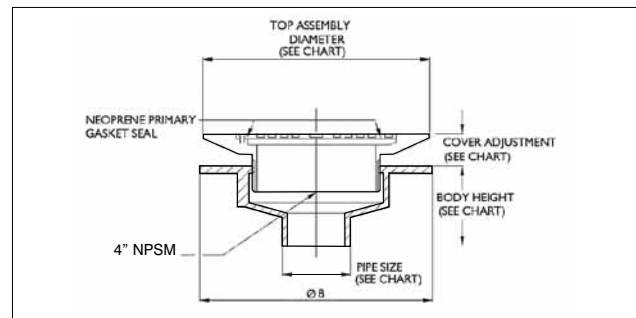
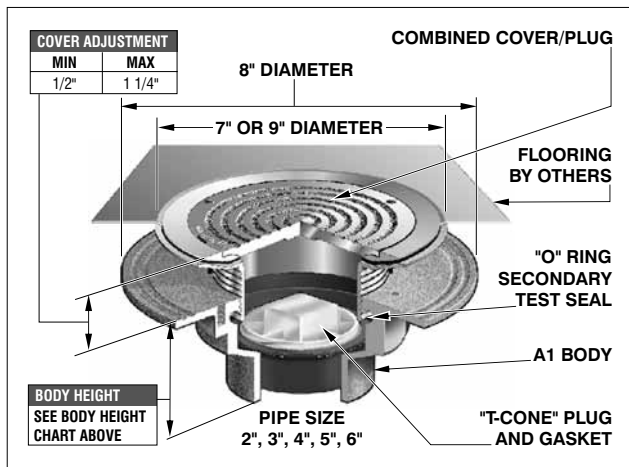
A1 BODY HEIGHT						
PIPE SIZE	NO HUB (STANDARD)	PUSH ON (P)	THREADED (T)	INSIDE CAULK (X)	PVC (-30)	ABS (-31)
2"	3"	3 3/8"	2 1/4"	3 3/4"	2 15/16"	
3"	3"	3 3/8"	2 5/8"	3 3/4"	3"	
4"	3"	3 3/8"	2 5/8"	3 1/2"	3"	
5"	3"	-	2 5/8"	6 7/8"	-	
6"	3 1/4"	6 1/2"	-	-	-	

C1100-RC AND C1100-RFC SERIES OPTIONAL VARIATIONS:

SUFFIX	DESCRIPTION	LIST PRICE	SUFFIX	DESCRIPTION	LIST PRICE
-6	Security screws (TR25 Torx and Pin)	\$ 36.00	-C	Membrane clamp (A1-C1)	\$ 43.00
-11	Acid resistant epoxy coating (Min. order 25 pcs. or P.O.A.)	\$ 185.00	-NH	No hub outlet	Standard
-13	All galvanized (Min. order 25 pcs. or P.O.A.)	\$ 113.00	P	Push on outlet (2", 3", 4")*	No Add
-28	Stainless steel body (Type 304) (2", 3", 4")	P.O.A.	T	Threaded outlet (2", 3", 4")	\$ 40.00
-30	PVC socket connection body* (2", 3", 4")	No Add	X	Inside caulk outlet (2", 3", 4")	No Add
-31	ABS socket connection body* (2", 3", 4")	No Add	Z	Extended wide flange (13" Dia. x 1/8" thick)	P.O.A.
-34	T-cone plug and gasket (2", 3", 4")(C1440 Series)	\$187.00			

*2", 3", 4" socket connections only *Specify POG-6 for C.I. pipe POG-6-PVC for PVC pipe. 2", 3", 4" sizes use same gasket.

C1100-RFC SERIES FLOOR CLEANOUT WITH ROUND TOP AND CLAMPING FLANGE



PARTS	C144(*)-34	A1 BODY	RFC7 or 9-3
*2, 3 or 4			

C1100-RFC FLOOR CLEANOUT WITH ROUND TOP AND CLAMPING FLANGE				
MODEL NUMBER	WT. Lbs	COVER SIZE	OUTLET SIZE	LACQUERED CAST IRON BODY WITH: NICKEL BRONZE (-1) 7" DIA ONLY STAINLESS STEEL (-3)
C1102,3,4-RFC7	7.50	7" Round	2", 3", 4"	\$469.00 \$469.00
C1105,6-RFC7	8.50	7" Round	5", 6"	\$487.00 \$487.00
C1102,3,4-RFC9	8.50	9" Round	2", 3", 4"	- \$603.00
C1105,6-RFC9	9.50	9" Round	5", 6"	- \$888.00

ANSI/ASME RATING	
COVER	LOAD RATING
SS	5000-7499 lbs
NB	2000-4999 lbs
C1100 SERIES MEETS ANSI CLEANOUT STANDARD A112.36.2M-1991	

Design and dimensions are subject to modification. Prices do not include applicable taxes. Visit www.mifab.com for the most recent product information.

MIFAB, Inc., 1321 West 119th Street, Chicago, Illinois 60643-5109, USA

Toll Free 1-800-465-2736, Fax 773-341-3049

All sales subject to MIFAB's Terms and Warranties. Please refer to inside front cover.

CLEANOUTS

C1100-RFC SERIES