

250° Long Scale Panel Meters



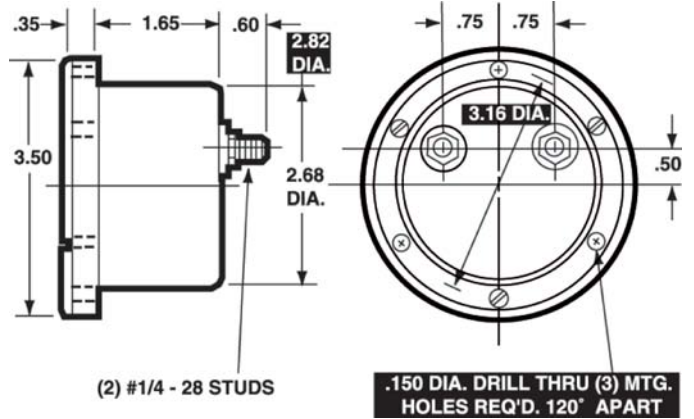
- **Excellent readability -- more than double the scale length of standard movements**
- **Sealed round metal or square plastic cases with glass windows**
- **Zero adjust from front panel**

Specifications

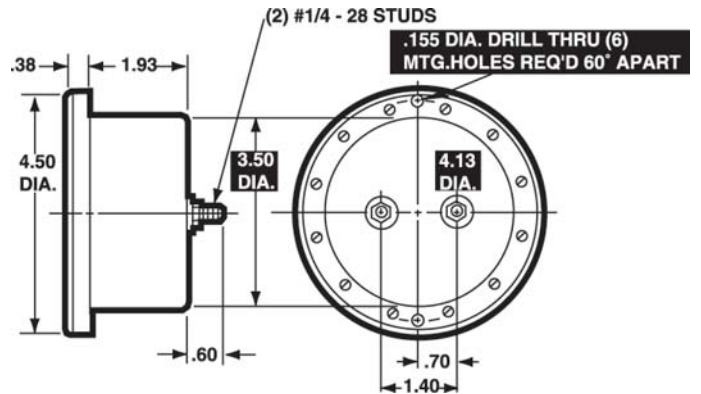
| | |
|-------------------------------|---|
| Accuracy: | AC: $\pm 3\%$ full scale (F.S.) DC: $\pm 2\%$ full scale (F.S.) |
| Movement: | AC: Rectifier type, DC: self-shielded, permanent magnet |
| Suspension: | Pivot and jewel |
| Tracking: | $\pm 3\%$ |
| Shielding: | Calibration is unaffected by magnetic panel mounting. |
| Response Time: | 1.5 seconds maximum |
| Overload (1 sec.): | 10 times F.S. |
| Overload (Continuous): | 1.5 times F.S. |
| Repeatability: | 2% |
| Dial: | Sharp clear scale. Each dial arc is calibrated to track the specific type of movement used. |
| Case: | Models 2523, 2524, 2543 & 2544: Metal Models 2123L, 2143L: Black plastic |
| Resistance: | $\pm 15\%$ of meter impedance |
| Operating Temperature: | -4°F to +149°F (-20°C to +65°C) |
| Pointer: | Red, knife-edge |
| Scale Length: | Models 2123L, 2523, 2543 & 2143L: 4.77" (121.16mm) Models 2524, 2544: 6.54" (166.0mm) |
| Net Weight: | Models Model 2523, 2123L, 2543 & 2143L: 8oz (230g) Models 2524, 2524, 2544: 9oz (260g) |

Dimensions

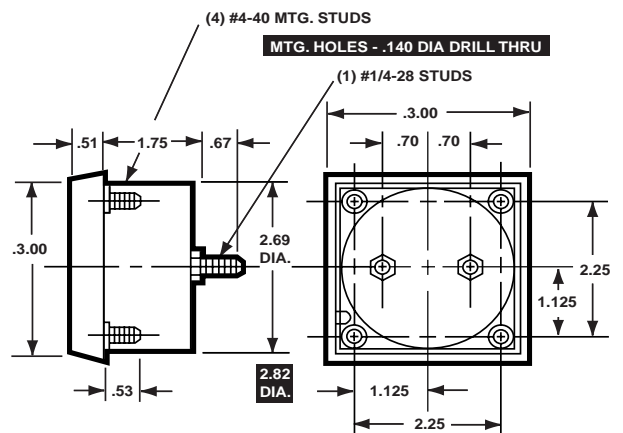
3 - 1/2"-Model 2543, 2523
Round Style



4 - 1/2"-Model 2524, 2544
Round Style



3 - 1/2"-Model 2123L, 2143L
Square Style



1 = Panel Meter Cut-out Dimensions



250° Long Scale Analog Panel Meters

Ordering Information

Percent Motor Load Meters, Self-Shielding Movement

| Range | Approx. Impedance (Ohms) @ 60Hz | Model/Size and Catalog Number | | |
|----------------------|---------------------------------|-------------------------------|--------------------|-------------------|
| | | 3-1/2" Model 2543 | 3-1/2" Model 2143L | 4-1/2" Model 2544 |
| 0-5 ACA | 0.5VA Maximum* | < > | 17918 | < > |
| Motor Load Current** | | < > | 17919 | < > |

* Internal transformer burden
 ** Dial reads 0-150% Motor Load Current
 < > Available on special order

AC Voltmeters Rectifier Type, Self-Shielding Movement

| Range | Approx. Impedance (Ohms) @ 60Hz | Model/Size and Catalog Number | | |
|-------|---------------------------------|-------------------------------|--------------------|-------------------|
| | | 3-1/2" Model 2543 | 3-1/2" Model 2143L | 4-1/2" Model 2544 |
| 0-10 | 2000Ω/V | 17990 | < > | 17995 |
| 0-30 | | < > | 17915 | < > |
| 0-150 | | 17978 | 17916 | 17988 |
| 0-300 | | 17979 | 17917 | 17989 |

< > Available on special order.

DC Millivoltmeters, Self-Shielding Movement

| Range | Approx. Impedance (Ohms @ 60 Hz.) | Model/Size and Catalog Number | | |
|-------|-----------------------------------|-------------------------------|--------------------|-------------------|
| | | 3-1/2" Model 2523 | 3-1/2" Model 2123L | 4-1/2" Model 2524 |
| 0-50 | 10 | 17977 | 17914 | 17987 |

DC Microammeters, Self-Shielding Movement

| Range | Approx. Impedance (Ohms) | Model/Size and Catalog Number | | |
|-------|--------------------------|-------------------------------|--------------------|-------------------|
| | | 3-1/2" Model 2523 | 3-1/2" Model 2123L | 4-1/2" Model 2524 |
| 0-50 | 8000 | 17970 | 17910 | 17980 |
| 0-100 | 4200 | 17971 | 17911 | 17981 |
| 0-500 | 340 | 17972 | 17912 | 17982 |

DC Milliammeters, Self-Shielding Movement

| Range | Approx. Impedance (Ohms) | Model/Size and Catalog Number | | |
|-------|--------------------------|-------------------------------|--------------------|-------------------|
| | | 3-1/2" Model 2523 | 3-1/2" Model 2123L | 4-1/2" Model 2524 |
| 0-1 | 135.0 | 17973 | 17913 | 17983 |
| 0-10 | 10.0 | 17974 | < > | 17984 |
| 0-500 | 0.2 | 17975 | < > | 17985 |
| 1-0-1 | 50.0 | 17996 | < > | 17997 |

< > Available on special order.

DC Ammeter, Self-Shielding Movement

| Range | Approx. Impedance (Ohms) | Model/Size and Catalog Number | | |
|-------|--------------------------|-------------------------------|--------------------|-------------------|
| | | 3-1/2" Model 2523 | 3-1/2" Model 2123L | 4-1/2" Model 2524 |
| 0-10 | .005 | 35098 | < > | 35099 |

< > Available on special order.
 Meters are supplied as 50 millivolt, and requires an external shunt #06704

