

# 250° Long Scale Panel Meters



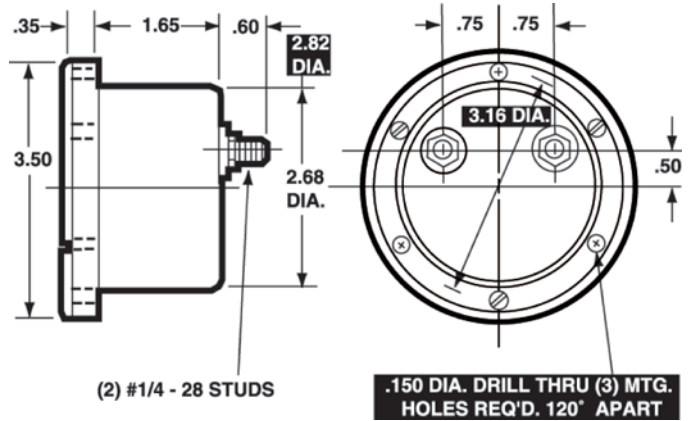
- **Excellent readability -- more than double the scale length of standard movements**
- **Sealed round metal or square plastic cases with glass windows**
- **Zero adjust from front panel**

## Specifications

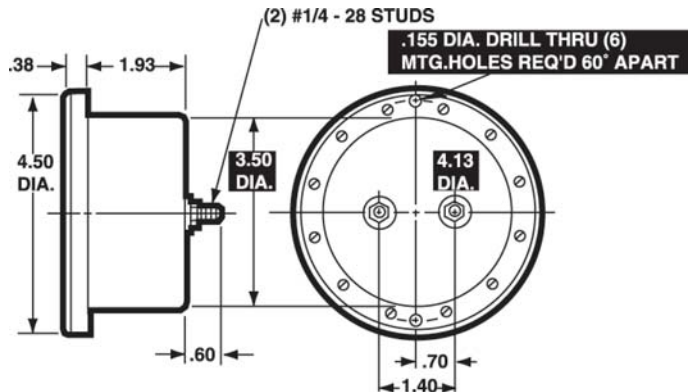
<b>Accuracy:</b>	AC: $\pm 3\%$ full scale (F.S.) DC: $\pm 2\%$ full scale (F.S.)
<b>Movement:</b>	AC: Rectifier type, DC: self-shielded, permanent magnet
<b>Suspension:</b>	Pivot and jewel
<b>Tracking:</b>	$\pm 3\%$
<b>Shielding:</b>	Calibration is unaffected by magnetic panel mounting.
<b>Response Time:</b>	1.5 seconds maximum
<b>Overload (1 sec.):</b>	10 times F.S.
<b>Overload (Continuous):</b>	1.5 times F.S.
<b>Repeatability:</b>	2%
<b>Dial:</b>	Sharp clear scale. Each dial arc is calibrated to track the specific type of movement used.
<b>Case:</b>	Models 2523, 2524, 2543 & 2544: Metal Models 2123L, 2143L: Black plastic $\pm 15\%$ of meter impedance
<b>Resistance:</b>	
<b>Operating Temperature:</b>	$-4^{\circ}\text{F}$ to $+149^{\circ}\text{F}$ ( $-20^{\circ}\text{C}$ to $+65^{\circ}\text{C}$ )
<b>Pointer:</b>	Red, knife-edge
<b>Scale Length:</b>	Models 2123L, 2523, 2543 & 2143L: 4.77" (121.16mm) Models 2524, 2544: 6.54" (166.0mm)
<b>Net Weight:</b>	Models Model 2523, 2123L, 2543 & 2143L: 8oz (230g) Models 2524, 2524, 2544: 9oz (260g)

## Dimensions

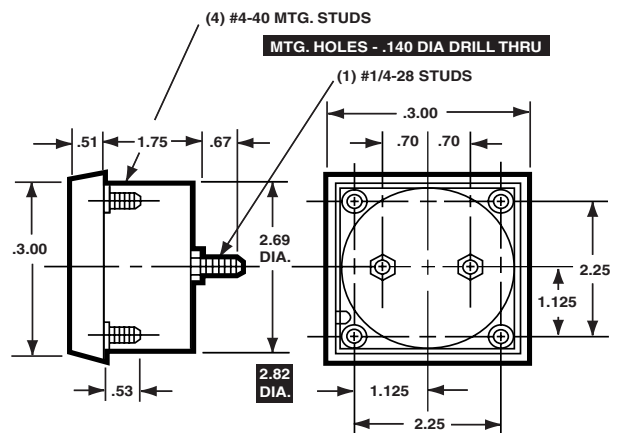
3 - 1/2"-Model 2543, 2523  
Round Style



4 - 1/2"-Model 2524, 2544  
Round Style



3 - 1/2"-Model 2123L, 2143L  
Square Style



1 = Panel Meter Cut-out Dimensions



# 250° Long Scale Analog Panel Meters

## Ordering Information

### Percent Motor Load Meters, Self-Shielding Movement

Range	Approx. Impedance (Ohms) @ 60Hz	Model/Size and Catalog Number		
		3-1/2" Model 2543	3-1/2" Model 2143L	4-1/2" Model 2544
0-5 ACA	0.5VA Maximum*	< >	17918	< >
Motor Load Current**		< >	17919	< >

\* Internal transformer burden  
 \*\* Dial reads 0-150% Motor Load Current  
 < > Available on special order

### AC Voltmeters Rectifier Type, Self-Shielding Movement

Range	Approx. Impedance (Ohms) @ 60Hz	Model/Size and Catalog Number		
		3-1/2" Model 2543	3-1/2" Model 2143L	4-1/2" Model 2544
0-10	2000Ω/V	17990	< >	17995
0-30		< >	17915	< >
0-150		17978	17916	17988
0-300		17979	17917	17989

< > Available on special order.

### DC Millivoltmeters, Self-Shielding Movement

Range	Approx. Impedance (Ohms @ 60 Hz.)	Model/Size and Catalog Number		
		3-1/2" Model 2523	3-1/2" Model 2123L	4-1/2" Model 2524
0-50	10	17977	17914	17987

### DC Microammeters, Self-Shielding Movement

Range	Approx. Impedance (Ohms)	Model/Size and Catalog Number		
		3-1/2" Model 2523	3-1/2" Model 2123L	4-1/2" Model 2524
0-50	8000	17970	17910	17980
0-100	4200	17971	17911	17981
0-500	340	17972	17912	17982

### DC Milliammeters, Self-Shielding Movement

Range	Approx. Impedance (Ohms)	Model/Size and Catalog Number		
		3-1/2" Model 2523	3-1/2" Model 2123L	4-1/2" Model 2524
0-1	135.0	17973	17913	17983
0-10	10.0	17974	< >	17984
0-500	0.2	17975	< >	17985
1-0-1	50.0	17996	< >	17997

< > Available on special order.

### DC Ammeter, Self-Shielding Movement

Range	Approx. Impedance (Ohms)	Model/Size and Catalog Number		
		3-1/2" Model 2523	3-1/2" Model 2123L	4-1/2" Model 2524
0-10	.005	35098	< >	35099

< > Available on special order.  
 Meters are supplied as 50 millivolt, and requires an external shunt #06704

