

SMS MEDIA CABINET EXTREME



VÄSTERNORRLAND PUBLIC TRANSPORT

The Media Cabinets in the bus station give travellers comprehensive and up-to-date information about all departures, delays and cancellations. It used to be necessary to visit the relevant bus shelter in order to see the printed timetable. The equipment satisfies IP Class 55.

Communication in rain and shine.

The SMS Media Cabinet allows for the first time everyone to make use of the new Digital Signage technology. We offer modules in different sizes and designs, which safely and gracefully encapsulate the media equipment that allows you to transmit targeted messages just as simply as changing channels with a remote control. SMS Media Cabinets can be adapted for use either indoors or outdoors, with units that have been designed to withstand vandalism and extreme weather.

The product is already being used in applications that range from stores and hotels to ski resorts and public transport. It offers a unique opportunity, for example, if you want to change special offers or prices during the day.

SMS MEDIA CABINET EXTREME

GENERAL INFORMATION

- Finish: can be freely chosen (white/silver is standard).
- Contents: a robust framework of aluminium profiles.
- Casing: Robust rust-protected sheet metal, thickness 1.5-2 mm.
- Vertical or horizontal mounting of the screen.
- Screen dimensions and cabinet dimensions:
 - 32" 950 x 650 x 260 mm
 - 40-42" 1180 x 770 x 260 mm
 - 46" 1270 x 820 x 260 mm
- Withstands temperatures from -30° to +35° C.
- IP Class 55.
- CE approved.

VARIANTS

- Wall-mounted, with vertical or horizontal mounting is standard.
- Free-standing and ceiling-suspended solutions can be tailored for vertical or horizontal mounting as required by the customer. Request an offer for your project.

STANDARD COMPONENTS

- Freely adjustable universal attachment for the screen.
- Glass: Hammerglass as standard. Laminated 443 available as optional.

- Drill protection for the lock.
- Lock: High Security Abloy Exec CL103. Patented brass cylinder lock with 9 tumblers. Incomparable locking mechanism with rotating tumbler disks.
- Tailored gas springs give gentle damped opening and closing.
- Thermostat
- Fan: diagonal filtered fan that exchanges the air approximately 600-900 times per hour.
- Cable entry with IP Class 55.
- Heating element up to 200 W.

ART. NO

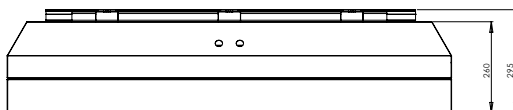
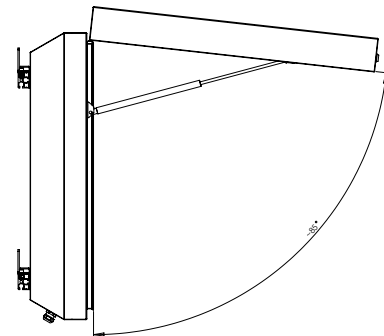
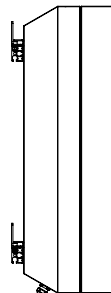
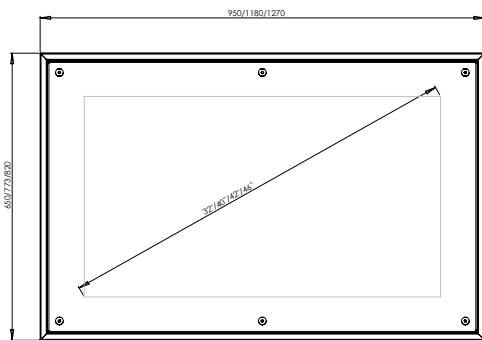
MC010011H
MC010011V
MC010012H
MC010012V
MC010014H
MC010014V
MC010013H
MC010013V

DESCRIPTION

SMS Media Cabinet 32 inch Horizontal
SMS Media Cabinet 32 inch Vertical
SMS Media Cabinet 40 inch Horizontal
SMS Media Cabinet 40 inch Vertical
SMS Media Cabinet 42 inch Horizontal
SMS Media Cabinet 42 inch Vertical
SMS Media Cabinet 46 inch Horizontal
SMS Media Cabinet 46 inch Vertical



The screen can be positioned vertically or horizontally in the cabinet. Wall-mounting is supplied as standard.



SMART MEDIA SOLUTIONS

www.SmartMediaSolutions.se