

Motorized Tab-Tensioned Screen for Wall or Ceiling



FEATURES

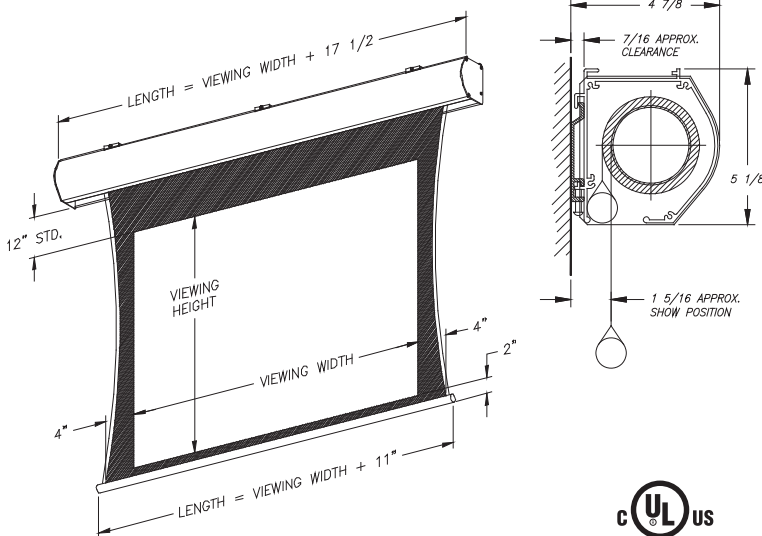
- Surface mount for wall or ceiling
- Vutec EMS™ (EZ-Mounting System)
- Aluminum housing with choice of black or white finish
- Rigid ribbed aluminum roller featuring Vutec's FRS™ (Fabric Relief Step)
- Standard 12" black leader
- Interfaces with low voltage relays, IR and RF
- Requires hard wired installation
- Optional RF "Plug & View" model available
- Custom sizes available
- Available in 16:10 format

The Llectric III is Vutec's standard tab-tensioned, motorized screen. Like all Vutec electric screens, the Llectric III is designed with an all aluminum housing and is engineered for flexible installation with Vutec's EMS™ EZ-Mounting System.

See page 43 for In-Ceiling Trim Kit



TECHNICAL



DIAGONAL SIZES

Pro AV (1:1) : 50" - 96"

Standard (4:3) : 72" - 180"

HDTV (16:9) : 92" - 147"

Widescreen (2.35:1) : 115" - 153"

SURFACES

- BriteWhite
- PearlBrite
- Rear-Vu
- BriteWhite Opaque
- GreyDove