

SMS FLATSCREEN X

WFH S1955



Get it right – get it vertical.

This unit can be used as a wall bracket or floor stand for screens up to 50 kg. It provides ample facilities for adding shelves and cabinets. The screen is mounted on the stand and then rotated to a vertical or horizontal position. Ingenious and secure universal fittings. Electrical power sockets can be installed on the rear of the column, as an option.

The X series is characterised by clean and refined features. The cable holder, for example, into which it is easy to place all cables by hand. The surface finish has also been given extra attention.

- | | | | |
|---|--|--|--------------------------------|
| <input type="radio"/> Ceiling | <input checked="" type="radio"/> Heavy weight | <input type="radio"/> Fixed | <input type="radio"/> Variable |
| <input checked="" type="radio"/> Wall | <input type="radio"/> Middle weight | <input checked="" type="radio"/> Swivel | <input type="radio"/> UniSlide |
| <input checked="" type="radio"/> Floor | <input type="radio"/> Light weight | <input type="radio"/> Tilt | <input type="radio"/> Hidden |
| <input type="radio"/> Table | | <input type="radio"/> 3D | <input type="radio"/> Double |
| | | <input type="radio"/> Mobile | |



SMS FLATSCREEN X - WFH S1955

INFO

- Finish: A/W (Aluminium/white).
- Max. load: 50 kg The optional accessory SMS X H+ Unislide enables the bracket to bear up to 100 kg.
- Length (column): 1955 mm.
- Swivel +/-20°.

Delivered as standard with our Unislide – SMS X H Unislide, which can be used with all VESA standards from 200 x 200 to 800 x 400 mm. (Screens ~40-55"). The SMS X H+ Unislide is available as an option. This can be used with all VESA standards from 200 x 200 to 1200 x 700 mm. (Screens ~60-80").

ART. NO

PD091001-P0

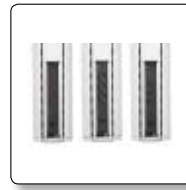
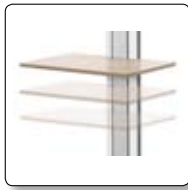
DESCRIPTION

SMS Flatscreen X WFH S1955 A/W

ACCESSORIES:

PD100001	SMS Power Socket EU (Schuko)
PD100002	SMS Power Socket CH
PD100003	SMS Power Socket UK
PD210002	SMS X H+ Unislide*
PD300005-PO	SMS X Shelf White*
PD300006-P0	SMS X Shelf Oak*
PD300007-P0	SMS X Shelf Walnut*
PD400001	SMS X Media Box White*
PD400003	SMS X Media Box Oak*
PD400004	SMS X Media Box Walnut*
PD410001	SMS X Media Box Rack Accessory*

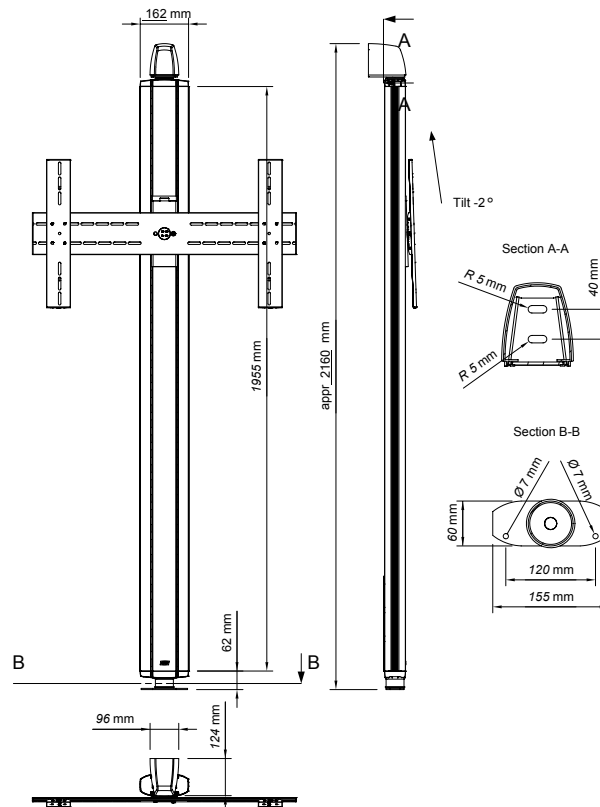
*More information in separate product sheet.



All peripheral equipment readily available using practical accessories such as shelves and cabinets.

Electrical power sockets can be mounted at the rear.

Rotatable, discrete, secure attachment.



SMART MEDIA SOLUTIONS

www.SmartMediaSolutions.se