

Plug and View Motorized Screen for Wall or Ceiling

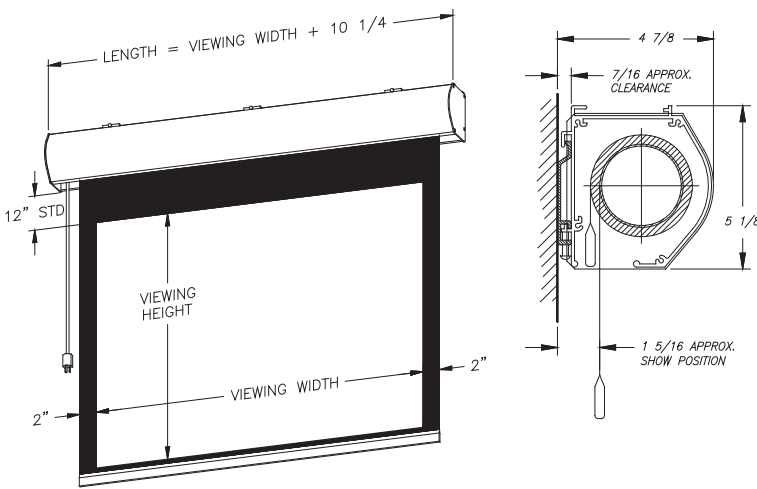


FEATURES

- “Plug and View” - no additional wiring required
- Surface mount for wall or ceiling
- Vutec EMS™ (EZ-Mounting System) included
- Heavy duty aluminum housing with choice of black or white finishes
- Quiet motor-in-roller design
- Ribbed aluminum roller featuring Vutec’s FRS™ (Fabric Relief Step)
- Standard 12" black leader
- 6 ft. cord length
- Designed for supported fabrics
- Includes handheld RF remote control
- Proprietary RF does not interface with external control systems
- Custom sizes available
- Optional black liner for SoundScreen available
- Available in 16:10 format

The Lectric I RF is a unique plug-and-view screen designed for either wall or ceiling-mounting. Operated by RF remote control for optimal convenience, the Lectric I-RF is available in 4:3, 16:9, 2.35:1 and A/V formats available in five self-supported screen materials and offers an optional battery operated wall switch for additional room control.

TECHNICAL



DIAGONAL SIZES

- Pro AV (1:1) : 50" - 96"
- Standard (4:3) : 72" - 200"
- HDTV (16:9) : 92" - 147"
- Widescreen (2.35:1) : 115" - 153"

SURFACES

- Matte White
- Vu-Flex Pro
- Twin-Vu
- SoundScreen
- GreyDove SoundScreen