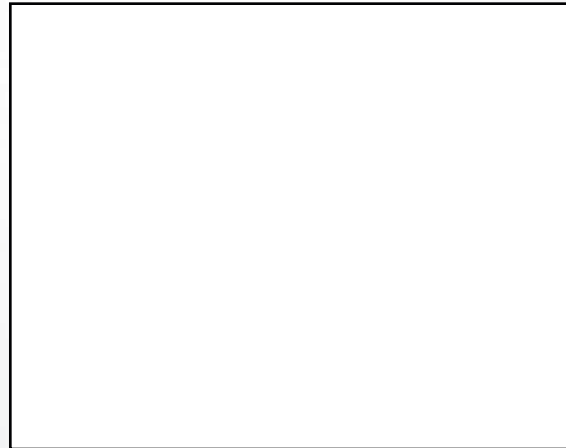


# Specifications

4:3 Format	
Diagonal	Viewing Area
84" (213cm)	50.5" x 67.25" (128cm x 170cm)
100" (254cm)	60" x 80" (152cm x 203cm)
120" (304cm)	72" x 96" (186cm x 243cm)
144" (366cm)	86.25" x 115.25" (218cm x 293cm)
160" (406cm)	96" x 128" (243cm x 325cm)
180" (457cm)	108" x 144" (274cm x 365cm)
240" (609cm)	144" x 192" (365cm x 487cm)
300" (762cm)	180" x 240" (457cm x 609cm)
16:9 Format	
92" (234cm)	45" x 80" (114cm x 203cm)
110" (279cm)	54" x 96" (137cm x 244cm)
123" (312cm)	60" x 107" (152cm x 272cm)
147" (372cm)	72" x 128" (183cm x 325cm)
165" (419cm)	81" x 144" (206cm x 366cm)
220" (558cm)	274.3" x 92" (696cm x 233cm)

Custom sizes available.  
Contact your Vutec sales partner for details.

Authorized Dealer



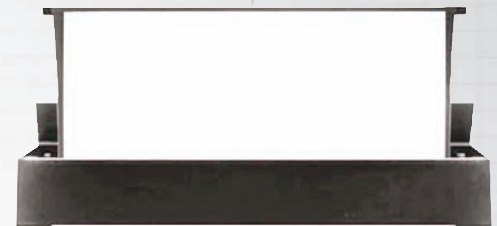
**VUTEC CORPORATION**  
Pompano Beach, FL 33064

Toll Free: (800) 770-4700 Fax: (800) 548-5885  
Tel: (954) 545-9000 Fax: (954) 545-9011  
info@vutec.com www.vutec.com

## An Alternative to Hanging or Mounting a Screen



Have high cathedral ceilings?



Need to preserve the aesthetics of a historical building?



Choose  
**Retracta-Vu Pro**



The world leader in projection screen technology

## Retracta-Vu Pro\* Motorized Rising Arm Screen



### Features

- Rises on command
- Mount in difficult places and in rooms with high cathedral ceilings
- Preserves room aesthetics
- Retracts with unique motor-in-roller assembly
- Sizes up to 25 feet diagonal
- Mount in floor or cabinet
- Featured with Vu-Flex Pro supported fabric with advanced lay-flat properties and a gain of 1.3

### Options

- IR or RF remote control
- Black or white mica custom cabinets available

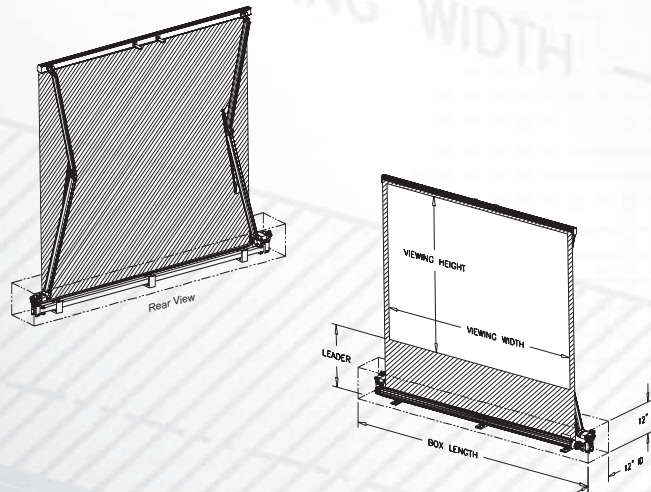
\*U.S. Patent No. 6,191,886



## The Vision XR

The motorized Retracta-Vu is also available in a cabinet in the exclusive Vision X line as the Vision XR model.

The rising arm screen retracts into a cabinet with an automatic trap door and can be mounted in the floor. This eliminates long leaders and movement from air conditioning or heating currents. The Vision XR comes in a standard black or white mica cabinet and includes a compact remote control. Available in Vu-Flex Pro or SilverStar.



The world leader in projection screen technology

The screen that rises on command...

Ideal for bedrooms...



Photo Courtesy of Martin Kleiser London, England

boardrooms



Photo Courtesy of National Geographic Society Washington, D.C.

any room.



Photo of First Presbyterian Church, Ft. Collins, CO