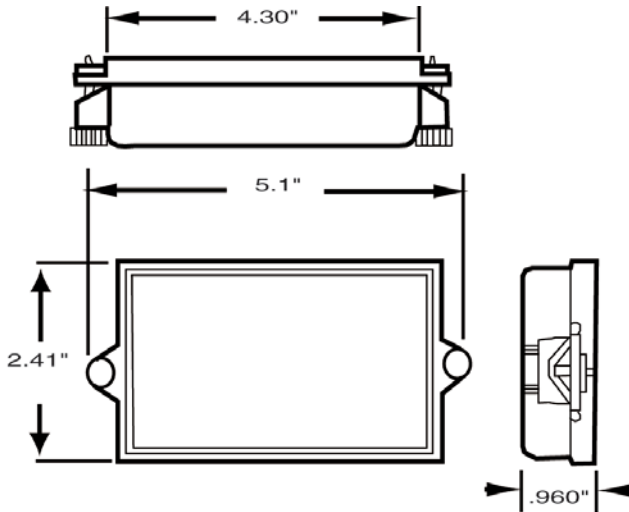


1/8 DIN NEMA 4 Removable Cover

- **Protects 1/8 DIN indicators and controllers**
- **Dust tight and water tight to NEMA 4 standards**
- **Removable front cover allows access to programming buttons or scaling potentiometers**



Dimensions



Specifications

Lens Material	Clear 94-V-0 UL-rated polycarbonate with UV inhibitor
Gasket Material	Closed Cell Neoprene
Bezel Material	Steel
Bezel Finish	Black Polyurethane
Bezel Dimensions	4.3" x 2.41" x 0.28" (109.2mm x 61.2mm x 7.1mm)
Overall Dimensions	4.3" x 2.41" x 0.96" (109.2mm x 61.2mm x 24.4mm)
Panel Cutout	3.66" x 1.79" (93mm x 45.5mm)

Ordering Information

Catalog number

45003

Bezel Kits

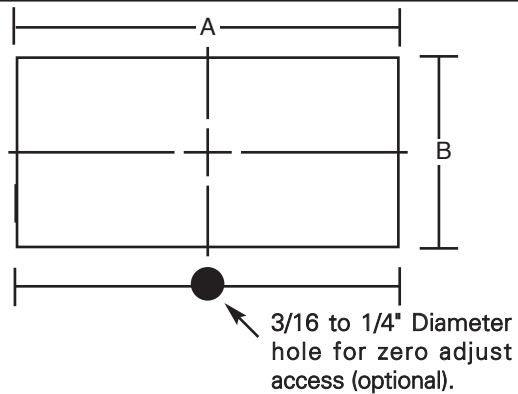
This bezel kit provides an attractive appearance for Wide-Vue analog panel meters. Die cast with a black satin finish, bezel kits are designed for behind panel mounting and can accommodate a panel thickness from 1/8" to 3/16". All required mounting hardware is included.



Ordering Information

Size	Panel Cutout		Catalog Number
	A	B	
3 - 1/2"	3.406"	2.094"	01253
4 - 1/2"	4.812"	2.750"	01123

Panel Cutout



Wide-Vue or Tru-Vue Bezel Kit



Ordering Information

Bezel kit for 2-1/2 Wide-Vue or Tru-Vue meter

01255