

Welcome to our website! Start on Home Page or Site Map for best navigation
[click for Home Page](#) **FREE Shipping** on all orders [click for Site Map](#)
 we only ship to 48 states - no APO/FPO, HI, AK, PR, Mexico or Canada, sorry

[click to view shopping cart](#)

Clivus M54 ADA composting toilet building

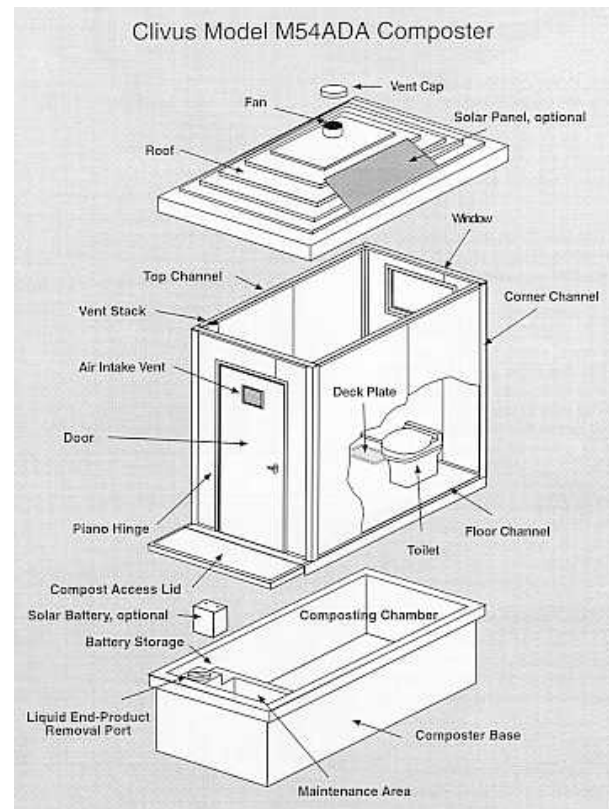
[home page](#) » [composting toilet chapter](#) » [Clivus Multrum systems](#) » [spec sheet detail page](#) *you are here*

The Clivus Multrum M54 ADA Trailhead is a stand-alone, self contained, composting toilet building (privy or outhouse). Please note that a concrete pad may become necessary in bad soil locations: sources of upward pressure (ground water) or expansive clay soils. Past that, the M54 ADA is a do-it-yourself outhouse privy composter building kit as shown to the right.

Consult your local Clivus representative for installation details and pricing. **We are the Rocky Mountain regional sales rep only - we do not retail Clivus in other parts of the country.** Clivus Multrum can be reached at 800-425-4887 in Lawrence, Mass. or through their website at: Clivus.com for pricing.

The Clivus M54 composter base may be fully buried for ground level access, partially buried, or it may stand alone on the surface. Handicapped access requires platform in front of the door and a ramp if the building is not at ground level.

If photovoltaic power is the only option, site the M54 so that either a side or the back of the restroom building faces magnetic south. As a general rule of thumb: the solar panel must be on the south side of the roof with 120 degrees of unobstructed sunshine to function properly.



[click here](#) or on any picture for the main chapter



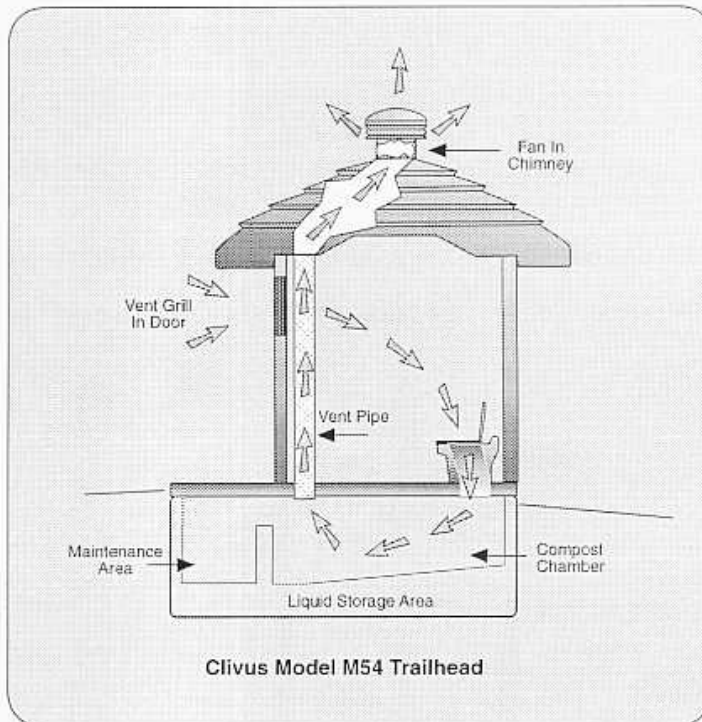
HOW THE CLIVUS WORKS M54 TRAILHEAD

NATURAL PROCESS

The Clivus is a low-maintenance, organic waste treatment system which uses natural biological decomposition to convert toilet wastes into a small amount of safe, stabilized end-product.

MODERATE TEMPERATURES

Near the top of the waste pile, oxygen-using soil organisms, including bacteria and molds, rapidly break down the substances that are readily degradable, releasing heat. Since a relatively small amount of material is added each day, the temperature rarely rises above 90°F. The material in the mid-section of the pile undergoes continued gradual conversion of nutrients to fertilizer and further slow breakdown of organic molecules.



Clivus Model M54 Trailhead

VENTILATION PROVIDES OXYGEN

The ventilation fan creates a draft which pulls air into the compost chamber, across the compost pile and finally up the vent pipe as shown in the figure. The oxygen reaching the waste material supports both the decomposition process in the compost pile and the treatment of the liquid. The ventilation air then carries away moisture and the carbon dioxide produced by the decomposition process. Air is drawn down the toilet into the container and then up the vent, thus preventing odors from entering the toilet room. It will also assist in evaporation and aeration of the top of the compost pile.

BULKING AGENT NEEDED

Organic material such as medium-textured bark mulch or wood shavings are mixed with the waste by periodic addition through the toilet. The addition of this material ensures that the waste has the proper texture for composting, that liquids are readily absorbed and drained, and that air can easily penetrate the pile.



The natural solution

Model M54 Specification Sheet

NSF Certification

The Clivus Model M54 is certified by the National Sanitation Foundation under Standard 41.

Capacity

M54 Volume:
Solids Storage Capacity: 81 cubic feet; 604 US gallons
Liquid Storage Capacity: 40 cubic feet; 300 US gallons
Daily capacity at average temp. $\geq 65^{\circ}\text{F}$: 60 visits
Annual capacity at average temp. $\geq 65^{\circ}\text{F}$: 22,000 visits

Specifications and Materials

Dimensions

For Shipping

Length: 118"; Width: 64"; Height: 92"

Weight: 1900 lbs

Largest Assembled Dimensions

Floor Length: 118"; Roof Width: 84"; Total Height: 163"

Composter Base

Length: 116"; Width: 66"; Height: 48"

Building Enclosure (outside)

Outside Length: 88"; Width: 66"; Height: 113"

Building Enclosure (inside)

Inside Length: 84"; Inside Width: 61.5"

Materials

Composter Base and Roof are rotationally molded high-density linear polyethylene resin that conforms with the following specifications:

Density (ASTM TEST 4883): 0.939 g/cm³

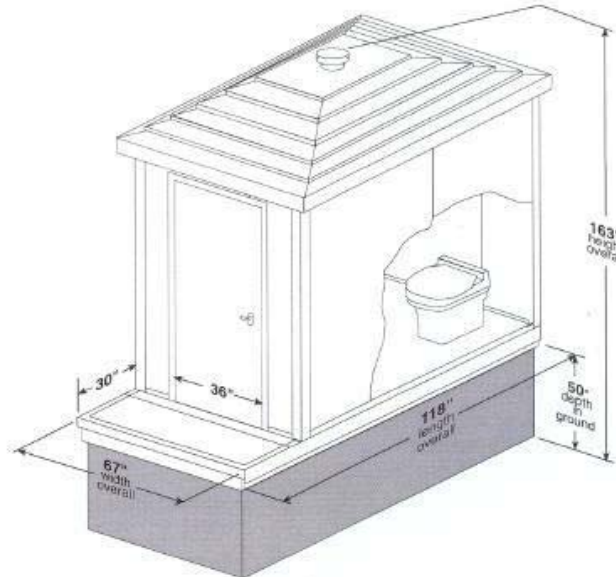
Tensile Strength at Yield (ASTM D638): 2700 psi

Dart Impact (-40°C, 250 mils thickness): 145 ft-lbs

Env. Stress Crack Resistance (D1693): 400hrs

Building is 2" thick sandwich panels of virgin expanded polystyrene faced with polar white pre-painted aluminum inside and out. The panels connect to each other with dark bronze anodized aluminum extruded molding and rivets. Building includes a high impact poly-carbonate window and piano hinged door. Standard color is green roof with white walls.

Floor sandwich panel is .060 aluminum sheets and expanded polystyrene core with a skid-resistant top surface and a corrosion resistant primer.



Ventilation

DC: 12V fan. Maximum free air is 100 cfm. Power input is 5 watts. CSA & UL approved. DC fan is powered by an optional photo-voltaic system customized for location and site requirements. Call for quotation.

AC fan also available.

Toilet, ADA accessible

Waterless toilet constructed of impact resistant fiberglass with sanitary white finish. Seat and lid are made of plastic; the liner is rotationally molded polyethylene. Grab bars and toilet paper holder included. Toilet Height: 18"; Width: 18.5"; Length: 24.25"

ADA Compliant

The M54 Trailhead conforms to the requirements for universal access of the Americans with Disabilities Act.



15 Union Street
Lawrence, MA 01840
978.725.5591
800.425.4887
Fax: 978.557.9658
www.clivusmulttrum.com



Model M54W Specification Sheet

NSF Certification

The Clivus Model M54 is certified by the National Sanitation Foundation under Standard 41.

Capacity

M54 Volume
Solids Storage Capacity: 81 cubic feet; 604 US gallons
Liquid Storage Capacity: 40 cubic feet; 300 US gallons
Daily capacity at average temp. $\geq 65^{\circ}\text{F}$: 60 visits
Annual capacity at average temp. $\geq 65^{\circ}\text{F}$: 22,000 visits

Specifications and Materials

Dimensions

For Shipping

Length: 118"; Width: 64"; Height: 92"
Weight: 2400 lbs

Largest Assembled Dimensions

Floor Length: 118"; Roof Width: 84"; Total Height: 163"

Composter Base

Length: 116"; Width: 66"; Height: 48"

Building Enclosure (outside)

Outside Length: 68"; Width: 66"; Panel Height: 113"

Building Enclosure (inside)

Inside Length: 64"; Inside Width: 61.5"

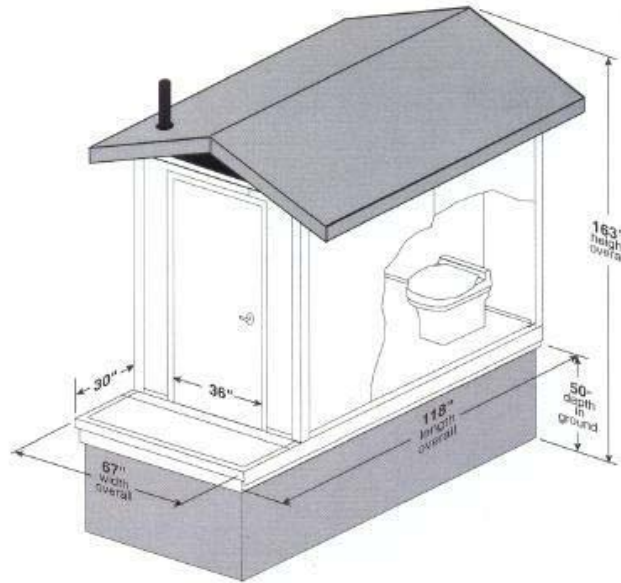
Materials

Composter Base is rotationally molded high-density linear polyethylene resin that conforms with the following specifications:

Density (ASTM TEST 4883): 0.938 g/cm³
Tensile Strength at Yield (ASTM D638): 2700 psi
Dart Impact (-40°C, 250 mils thickness): 145 ft-lbs
Envt. Stress Crack Resistance (D1693): 400hrs

Building is 2" thick sandwich panels of virgin expanded polystyrene faced with T1-11 plywood outside and white fiberglass reinforced panels inside. The sandwich panels connect to each other with dark bronze anodized aluminum extruded molding and screws. Building includes a steel door. Standard exterior is unfinished.

Roof is steel frame construction with 1/2" plywood substrate for field application of asphalt shingles or optional cedar shakes. Gable ends have pebble-finish lexan windows.



Floor sandwich panel is .060 aluminum sheets and expanded polystyrene core with a skid-resistant top surface and a corrosion resistant primer.

Ventilation

DC: 12V fan. Maximum free air is 100 cfm. Power input is 5 watts. CSA & UL approved. DC fan is powered by an optional photo-voltaic system customized for location and site requirements. Call for quotation.
AC fan also available.

Toilet, ADA accessible

Waterless toilet constructed of impact resistant fiberglass with sanitary white finish. Seat and lid are made of plastic; the liner is rotationally molded polyethylene. Grab bars and toilet paper holder included. Toilet Height: 18"; Width: 18.5"; Length: 24.25"

ADA Compliant

The M54 Trailhead conforms to the requirements for universal access of the Americans with Disabilities Act.



[click here](#) or on any picture for the main chapter

[HOME PAGE](#) [SITE MAP](#) [Passive Solar Design](#) [Solar Products](#) E-mail: natural@colorado.net
[Septic Systems](#) [Composting Toilets](#) [Greywater Recycling](#) [Drywell Drainage Kits](#) [Books](#) [Links](#)

[Gas Refrigerators](#) [Stainless Steel Appliances](#) [Custom Shade Panels](#) [Remnants & Specials](#)

Left click underlined words and most pictures for link to website detail chapters and additional product information
NO ads, no cookies, no pop-ups, nothing blinks ... no mailing list just your total privacy and plenty of free information with minimal bull

* 20 years in business - over 10 years online right here *



[Who is TheNaturalHome.com?](#)



Google™

Google™ this website

 TheNaturalHome.com

[click to view shopping cart](#)

Please E-mail us anytime

natural@colorado.net

Toll free: 800-563-9720

Local: 970-262-6727

Fax: 720-293-1705

TheNaturalHome.com
0186 County Road 1400
Silverthorne, CO 80498

PRIVACY STATEMENT - We will never release your name, contact information or purchase history to anyone!

The use of this internet site and purchase of Architerra Enterprises, Inc. (d.b.a. TheNaturalHome.com) products and services are governed by this [Terms of Service Agreement and Disclaimer](#).

By using this internet site, you acknowledge that you have read this [Terms of Service Agreement and Disclaimer](#) and that you accept and will be bound by the terms thereof.

Copyright © 1998 - 2010 by Architerra Enterprises, Inc. All rights are reserved, please.