



WMK-10
Shown with rear
mounting pan

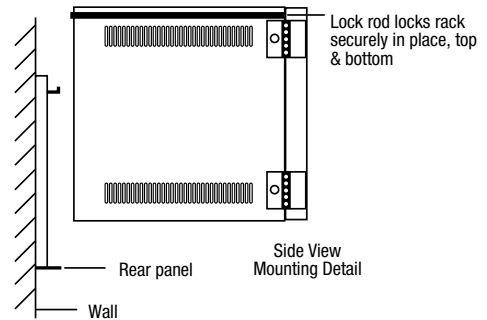
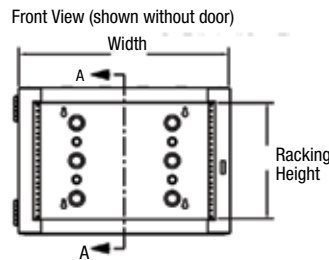
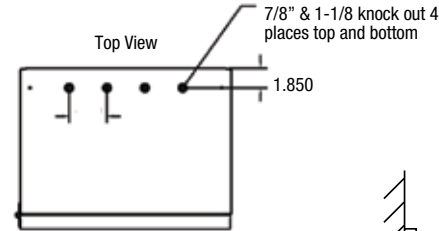
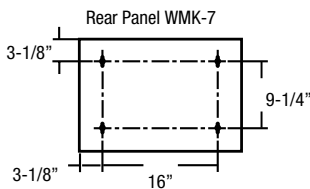
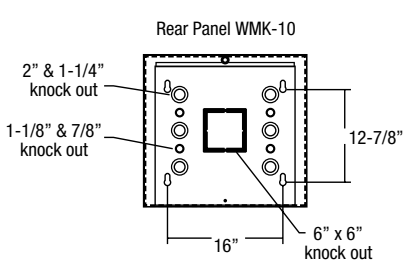
WMK wall mounted rack

Compact audio enclosures for smaller installations. Constructed of 16-gauge steel, finished in durable black powder coat. Equipped with 11-gauge rack rail, WMK has conduit knockouts top and bottom and slotted sides for passive cooling. Key hole slots on rear panel of WMK allow for secure attachment to wall, while the WMK-10 utilizes a rear mounting pan with a laser knockout for cable passage. Standard front locking door can swing from left or right and is 1.5 inches deep.

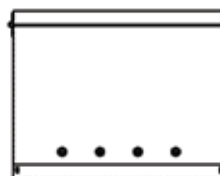


WMK-7

Model	Racking Height	Width	Depth w/door	Height	Racking Depth
WMK-7 3/4"	7 space (12-1/4")	22-1/4"	17"	15-3/4"	14-
WMK-10	10 space (17-1/2")	22-1/4"	18-1/8"	20-3/4"	15-1/4"



Bottom View



finish
Black Powder Coat

RACKS/ENCLOSURES

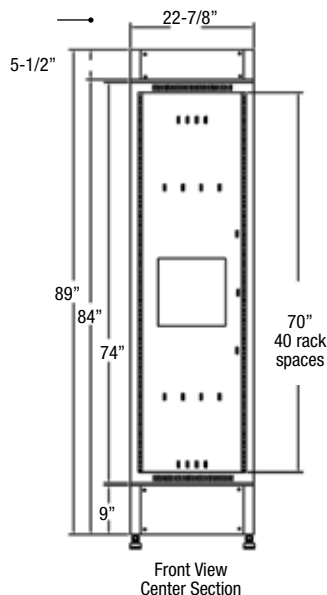
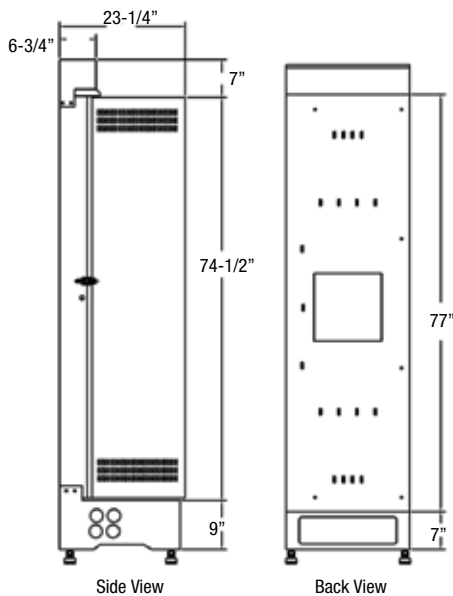
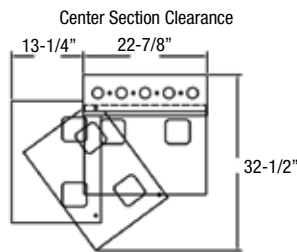
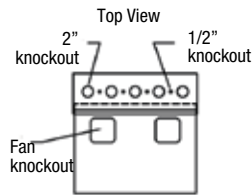
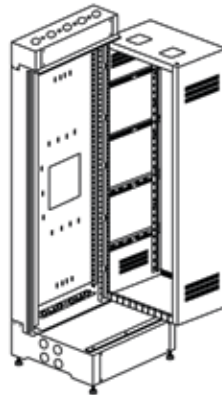
PWR 40-24 pivot wall rack

A new entry to the Raxxess line up of wall mounted racks, the PWR mounts securely to a wall while also resting safely on a solid, steel platform that transfers all of the weight of the rack to the floor. This platform is equipped with levelers to be used in any or all of the four corners to adjust for uneven floors. The platform performs double duty as a cable entry port and functional means for concealing cable bundles. A similar, yet smaller cable entry compartment is located at the top of the rack. Removable front covers are provided for each compartment.

The PWR can be set up to pivot 90 degrees left or right allowing access to the rear of the rack for quick and easy servicing of equipment. The center section secures to the rear pan with both a keyed lock and a latch that accepts a padlock. The rack is further equipped with 12 gauge adjustable rack rail, abundant cable tie-off points and ventilated sides. There are a variety of conduit knockouts located in the top and bottom of the rack to accommodate cables. A 12" x 12" knock out in the back pan allows for cable bundle entry from the wall. The center section has two knockouts allowing for the use of 4-1/2" fans. Finished in a durable, black powder coat.

- standards**

 - Abundant cable management points
 - Keylock and latch
 - Generous cable entry points located at top and bottom
 - 13 gauge, one piece steel platform equipped with levelers to accommodate uneven floors



optional



finish
Black Powder Coat