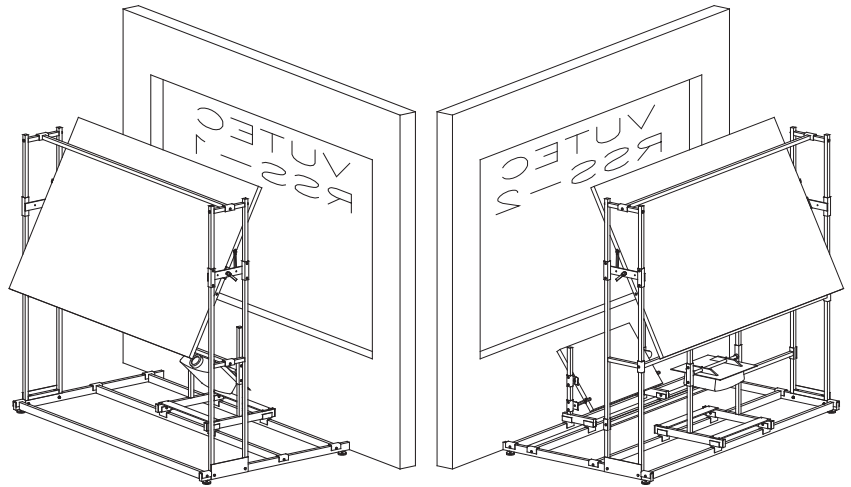


Universal Rear Projection Rail System

FEATURES

- Universal projector cradle that accommodates most CRT, DLP and LCD projectors
- System adjusts to specific requirements
- System is fully adjustable, including height, angle, mirror adjustments and distance positioning
- Heavy duty welded steel matte black powder coated frame
- Single or dual mirror assembly
- Vutec Engineers will customize systems for specific installations based on projector, lens throw distance, screen size, sill height and available space



Retro-Trac is a universal rear projection rail system, offering a projector cradle that accommodates most CRT, DLP and LCD projectors. The system is designed to be fully adjustable, including height, angle, mirror adjustments and distance positioning. To accommodate special needs, Vutec offers a variety of fixed and portable rear projection screens and video systems.

MIRROR-TEC

Front Surface Glass Mirrors for Rear Projection

FEATURES

- Mirror-Tec mirrors have an average minimum reflective value of 94%
- Engineering support for authorized Vutec dealers
- Mirror is framed and includes attachment points for RSS1/RSS2 installation
- Packed in a wood crate with internal suspension at no additional charge

