



### RKV rack vault

Secured storage of otherwise loose equipment, tools, tapes, CD's, papers and other personal items; all steel construction; flush mount latch and keyed lock. Perfect for any audio rack, in the studio, on the road or at the installation; black baked enamel finish.

RKV-3 Internal Dimensions: 17" x 9" x 5-1/4" (W x D x H)

RKV-4 Internal Dimensions: 17" x 9" x 7" (W x D x H)

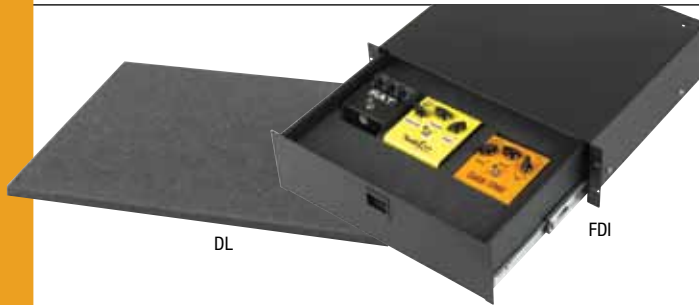


CDP

CSP

### Media partitions

Media partitions are available for use with our SDR drawers, providing neat and organized storage of audio cassettes, compact discs and DVDs. The CDP and DVDP fit the SDR-4 drawers and hold 103 compact discs and 40 DVDs, respectively.



DL

FDI

### FDI foam drawer inserts

Foam inserts, easily customized for protecting components from scratches and dents. Keeps items secure and in place. Available in sizes to fit any ESD or SDR series drawer.

### DL foam liner

Lines any ESD or SDR drawer to protect contents



### PB project box

The PB-1 and PB-2 project boxes are of two piece, cold rolled steel construction. Black baked enamel finish. Available in one or two space configuration. Front to back measures 6".

**finish**

Black Liquidcoat

### Media holders

Rackmount media holders include steel shelf with brushed black anodized aluminum trim plate. Available for compact discs (RCD-4U, holds 40 CDs), and DVDs (RDVD-5U, holds 25 DVDS).



RCD



RCD-CL



RDVD



RDVD-CL

**finish**

Black Anodized

**finish**

Clear Anodized Aluminum

## ESD economy sliding drawer

Available in 2, 3 or 4 space versions. Fully enclosed construction is of 16-gauge steel with a black semi-gloss finish. New 12" cabinet grade slides allow for full extension. Optional lock available.

Model	Overall Height (A)	Overall Depth (B)	Usable Width (C)	Usable Depth (D)
ESD-2	3-1/2"	13"	15-7/8"	11-7/8"
ESD-3	5-1/4"	13"	15-7/8"	11-7/8"
ESD-4	7"	13"	15-7/8"	11-7/8"

 **finish**  
Black Liquidcoat



ESD

Our rackmount drawers now feature a knockout on the front panel for adding a key lock at any time, as well as knockouts in the rear for cable passage should you want to store an electronic device in the drawer. In addition, all of our drawers feature a fully welded drawer body for maximum strength and stability.



SDR-A

## SDR sliding drawer

Heavy duty sliding rack drawer; 2, 3 or 4 spaces. 14" full extension sliders provide smooth action. New features include electrical knock outs, larger flush mount latch and 13-gauge drawer front. Black textured finish. Lock is optional. Media partitions available for CDs and DVDs. See page 36.

 **finish**  
Black powder coat

 **finish**  
Clear Anodized Aluminum

 **finish**  
Black Anodized Aluminum



SDR



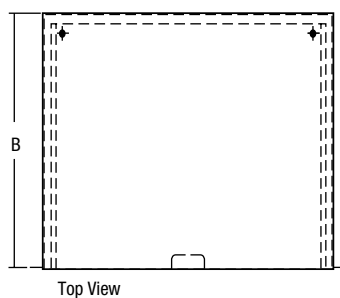
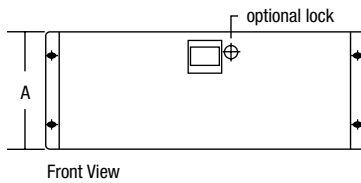
SDR-2ACL



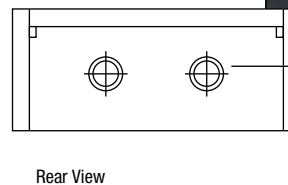
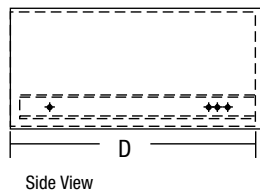
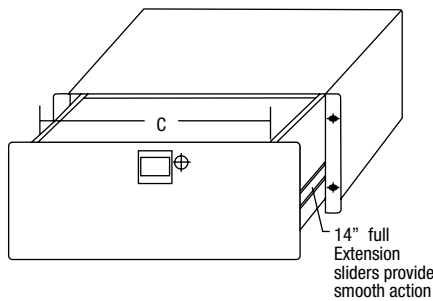
SDR-3ACL



SDR-4ACL



Model	Overall Height (A)	Overall Depth (B)	Usable Width (C)	Usable Depth (D)
SDR-2/2A/2ACL	3-1/2"	15"	15-7/8"	14-1/2"
SDR-3/3A/3ACL	5-1/4"	15"	15-7/8"	14-1/2"
SDR-4/4A/4ACL	7"	15"	15-7/8"	14-1/2"



All sliding drawers feature electrical knock outs on rear panel