

SMS X MEDIA BOX



Hidden and locked, but still easy to reach.

Have all your computer and AV equipment just where you need it – secure and readily available. Our Box provides lockable storage, and it has been dimensioned to accommodate 19” computer racks (available as an option). Suitable for use with the X-series floor stands and wall brackets. The rear has brush-equipped holes for neat cable entry. The height can be adjusted in increments.

THE SMS X MEDIA BOX CAN BE USED WITH:

SMS Flatscreen X WFH S1955
 SMS Flatscreen X WH S605/1105/1455
 SMS Flatscreen X FH 1105/1455/1955
 SMS Flatscreen X FH M1105/1455/1955
 SMS Flatscreen X - FH MD1455/1955
 SMS Flatscreen X CH S 605/1105/1455/1955
 SMS Flatscreen X CH SD 605/1105/1455/1955

SMS Flatscreen X FH Video Conference
 SMS Flatscreen X FM Video Conference
 SMS Flatscreen X FH Triangel
 SMS Flatscreen X - WFH Video Conference
 SMS Flatscreen X - WFM Video Conference
 SMS Flatscreen X - WH Video Conference
 SMS Flatscreen X - WM Video Conference



SMS X MEDIA BOX

INFO

- Finish: White, oak and walnut.
- Max. load: 20 kg.

NOTE: Can be placed at selected positions along the column.

ACCESSORIES: SMS X Media Box Rack Accessory.

ART. NO

PD400001
PD400003
PD400004

DESCRIPTION

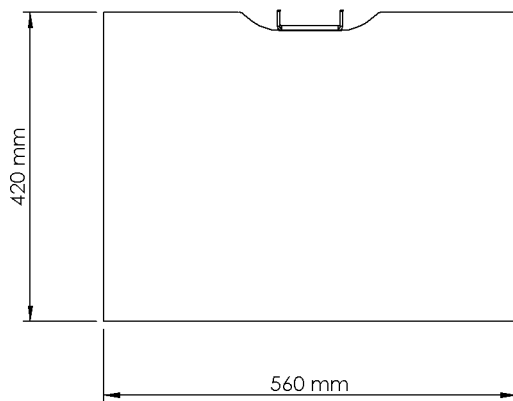
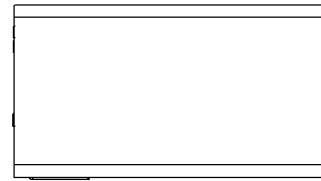
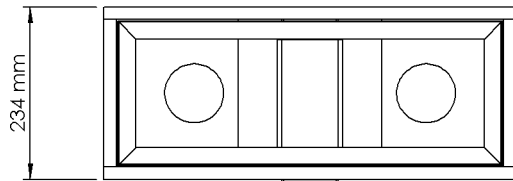
SMS X Media Box White
SMS X Media Box Oak
SMS X Media Box Walnut

PD410001

SMS X Media Box Rack Accessory



A silver-finish 19" computer rack is available as an accessory.



SMART MEDIA SOLUTIONS

www.SmartMediaSolutions.se