

# ANGLED SHELVES M/L



Point of sales (POS) shelves are all angled and are perfect for any kind of information that you want to present next to your screen. The shelves are made out of solid mdf board or transparent plexiglas and are available in plexiglas, grey, black, birch or beech.

---

#### ANGLED SHELVES SUITABLE FOR:

SMS Flatscreen WM ST800  
 SMS Flatscreen WM ST1200  
 SMS Flatscreen WM ST1800  
 SMS Flatscreen CM ST400  
 SMS Flatscreen CM ST800  
 SMS Flatscreen CM ST1200  
 SMS Flatscreen CM ST1800  
 SMS Flatscreen FM ST800/1200/1800  
 SMS Flatscreen FM MST800/1200/1800  
 SMS Flatscreen WL ST800  
 SMS Flatscreen WL ST1200  
 SMS Flatscreen WL ST1800  
 SMS Flatscreen CL ST400  
 SMS Flatscreen CL ST800  
 SMS Flatscreen CL ST1200  
 SMS Flatscreen CL ST1800  
 SMS Flatscreen FL ST800/1200/1800  
 SMS Flatscreen FL MST800/1200/1800

# ANGLED SHELVES (MIDDLE/LIGHTWEIGHT)

## INFO

- Color: Plexiglas, grey, black, birch or beech.
- Max load: 12 kg
- Tilted: The shelves are angled 45°.

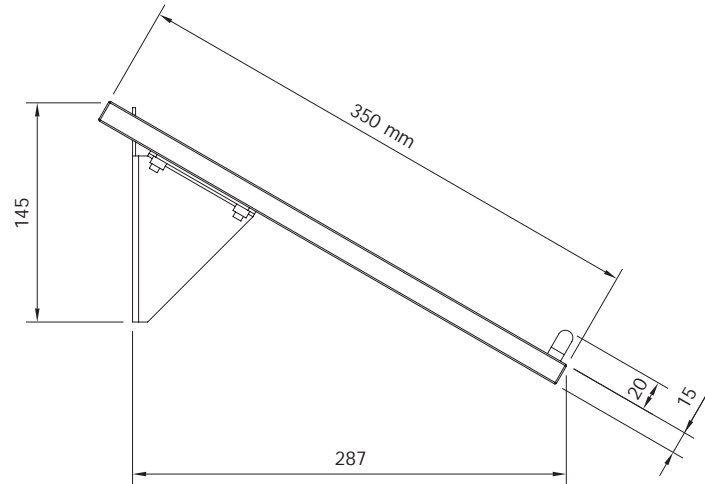
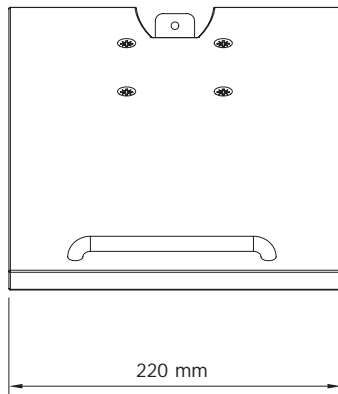
Note: Holding console is included.

## ART. NO

FS040006  
FS040007  
FS040008  
FS040009  
FS040010

## DESCRIPTION

Flatscreen angled shelf M/L Black  
Flatscreen angled shelf M/L Grey  
Flatscreen angled shelf M/L Beech  
Flatscreen angled shelf M/L Birch  
Flatscreen angled shelf M/L Plexiglass



SMART MEDIA SOLUTIONS

[www.SmartMediaSolutions.se](http://www.SmartMediaSolutions.se)