



Line Loop Tester

Available with Field Replaceable Switches

Simpson's Model 8455 Line Loop tester detects line shorts, opens and multiple ringers, DC voltages and loop resistance. It can measure DC voltage up to 100 volts and loop resistance to 2 megohms. A front panel "reverse polarity" switch allows changing polarity positions quicker and easier than manually switching test leads when making line checks. This switch is field-replaceable, enabling your loop tester to be operational at all times without costly shop repairs. The compact durable construction of this tester ensures continued accuracy even under the most rugged field conditions.

- **Field Replaceable Switches** - Allows operator to get back to the job quickly with less downtime. The replacement toggles or push buttons can be kept in the truck and replaced on site, keeping the unit in service, at all times.
- **Designed for Telecom Applications** - Accurately checks line shorts, opens and multiple ringers.
- **Wide Measuring Range** - Measures DC voltage 0-100V and resistance $R \times 1$, $R \div 10$.
- **Shorter Testing Time** - Polarity toggle switch eliminates manually switching test leads when conducting line checks.
- **Rugged for Field Use** - Durable, compact (5-1/2" x 2-3/8") construction makes it portable, easy to store and rugged.
- **Accurate, Finer Readings** - 0-100 points scale calibration yields accurate readings.



Model No. 8455

Specifications

DC Voltage:

Range: 100V

Sensitivity: Model 8455, 1K Ω per volt

Model 8455 A, 3333 Ω per volt

Isolation: 100V DC max. circuit to earth ground

Overload Protection: 10mA/250V fuse on all ranges

Temperature Coefficient: (57°F to 97°F): $\pm 2\%$ F.S. (VDC)

Battery Type: (1) Eveready #455 (45V); Catalog Number 06-113313

Physical: Dimensions: 5.5" (H) x 3.6" (W) x 2.4" (D), (14 x 9 x 6 cm.)
Weight: 1 lb. (0.5 Kg.)

Specifications subject to change without notice.

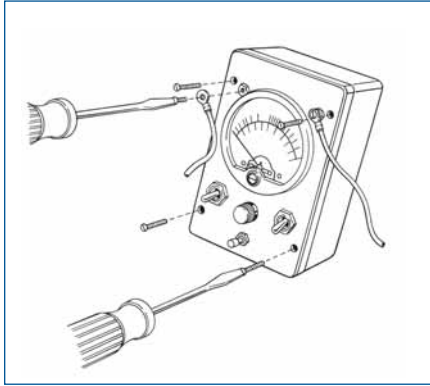
RESISTANCE

Model	Standard		Low Ohms	
	R x 1	R \div 10	Points	Low ohms
Range				
Center Value	100K Ω	10K Ω	50 points	500 Ω
Accuracy	2° of arc		2° of full scale	2° of arc
Open Circuit Voltage (nom)	45V	45V	N/A	1.2V
Short Circuit Current (nom)	450 μ A	4.5mA	N/A	2.4mA

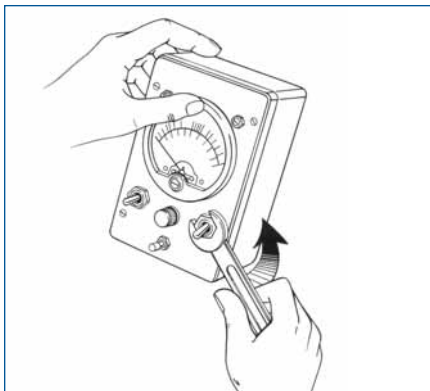
Ordering Information

MODEL 8455 LINE LOOP TESTER				MODEL 8455A LINE LOOP TESTER (Low Ohms Version)			
	Catalog No.	Catalog No.	Catalog No.		Catalog No.	Catalog No.	Catalog No.
Field Rep. Switch	40000	40001	40010	Field Rep. Switch	40002	40009	40011
Low Ohms	No	No	No	Low Ohms	Yes	Yes	Yes
ACCESSORIES INCLUDED							
Case	No	Yes	Yes	Case	Yes	No	Yes
Leads	No	Yes	Yes	Leads	Yes	No	Yes
Battery	No	No	Yes	Battery	No	No	Yes
Manual	No	No	Yes	Manual	No	No	Yes
OPTIONAL ACCESSORIES (RECOMMENDED)							
Case	00836	00836	00836	Case	00836	00836	00836
Leads	45001	45001	45001	Leads	45001	45001	45001
10 Pk. Replaceable Switches-toggle	45025	45025	45025	10 Pk. Replaceable Switches-toggle	45025	45025	45025
10 Pk. Replaceable Switches-Push Button	45026	45026	45026	10 Pk. Replaceable Switches-Push Button	45026	45026	45026

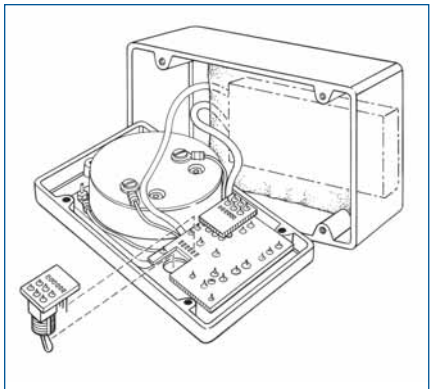
Field Replaceable Switches Save Time - Save Money



Remove the test leads and 4 screws located near the meter face from the 8455A's front cover.



Detach the mounting nut from the defective toggle switch.



Unplug the worn out or broken switches and plug in a new one! Total time under 5 minutes. Push-button style switches also available.

Simpson's FIELD REPLACEABLE SWITCHES - replace broken switches in less time than it takes to complete a field report or repair paper work. Simpson uses the best toggle switches, with pinned toggles for longer life.

The pictorial steps to the left illustrate the simplicity of replacing a toggle switch. (Complete detailed replacement instructions are provided in both the 8455 and 8455A operator's manuals.)



Model 8455A Low Ohms Version . . .

includes all the features of the 8455. Select the low ohms model if measuring electrical resistance over short lines (for example, in city and suburban locations).

Test Leads for 8455 and 8455A

Model No. 45001

Consists of one each, red and black, flexible test leads, 6 ft. long with Telco clips at one end and ring-tongue connectors at the other end for connection to the Instrument's screw terminals



45001

Protection for 8455 & 8455A

Simpson's foam padded, nylon water repellent case, (Model No. 00836) protects the 8455 or 8455A both in storage and during transport. Use either the case handle or adjustable nylon strap for easy carrying. The neck strap frees both hands for making measurements. The case, made of nylon mesh with an extremely dense weave and water repellent backing, safely protects unit from inclement conditions. Foam padding on sides, top and bottom safeguards unit from damage. A convenient pocket stores leads while they are attached to the instrument.



00836