

ERT RACKS

ERT elite roll top rack

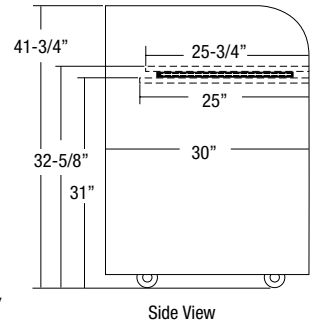
Providing area for housing most 32-channel mixers along with 28 spaces of rackmount equipment, the ERT Elite Roll-Top is a secure audio/video control center. The locking roll-top cover prevents unauthorized users from accessing mixer controls, while two locking pocket doors cover the two 14-space rack bays. Locking rear doors provide additional security and complete the overall appearance. The heavy duty industrial casters allow for easy indoor transport. Constructed of 3/4" melamine with brass-plated hardware, rack ships assembled via common carrier. The ERT features a curved facade with ultra strong track system. Available in a walnut or cherry melamine to look great in any setting.



- finishes**
- Cherry
 - Walnut

ERT-SL elite roll top sliding shelf

Optional sliding shelf for standard ERT. Easily mounts inside console section on heavy duty sliders. Cherry or walnut laminate.



ERT-SD elite roll top

This SD version of the popular Elite Roll Top desk provides ample leg room, allowing the user to sit comfortably and up-close to the console. Seating can be to either the left or right of the center line while the opposite bay allows rack mounting for fourteen rack units of equipment. A locking pocket door covers the rack bay in the front, while the rear of the bay is also secured by a locking door. Heavy duty casters are standard. Available in both walnut (shown) and cherry laminate.



Optional slide out, slanted, ten space rack shown as an alternative to rack rail. This slant rack can be mounted in either the left or right bay and is equipped with large grommets for cable passage.

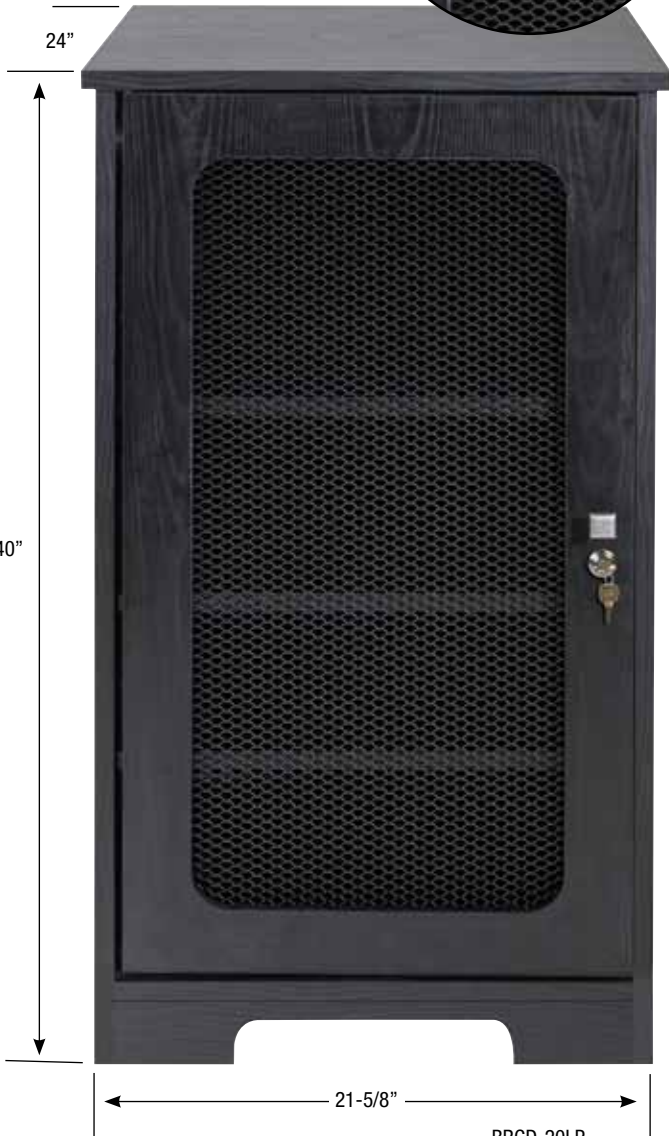
BRG-20

The BRG-20 is a twenty space rack that is a match for our credenzas (BRG-12D or 12T). Rack rail is standard in this rack as is a bottom grommet for cable passage. A solid rear door is standard, above which is located a louvered, vent for passive ventilation. Construction is of 3/4" black oak melamine with simulated aluminum panel inserts. Choose either a solid or perforated locking front door. Delivered fully assembled.



Vent Detail

Perforated Door Detail



BRGD-20LP
20" Rackable Depth



BRG-20 Side View



BRG-20 Rear View
Shown with optional shelves.



BRGD-20

- options**
- Choice of either a solid, locking front door or a perforated locking front door
 - Shelving may be used in place of rack rail
 - Cooling fans to fit louvered vent in rear