

Motorized Screen for Wall or Ceiling



FEATURES

- Surface mount for wall or ceiling
- Vutec EMS™ (EZ-Mounting System) included
- Aluminum housing with choice of black or white finishes
- Quiet motor-in-roller design
- Ribbed aluminum roller featuring Vutec's FRS™ (Fabric Relief Step)
- Standard 12" black leader
- Interfaces with low voltage relays, IR and RF remote controls
- Requires hard wired installation
- Custom sizes available
- Optional black liner for SoundScreen available
- 16:10 format and silent motor available

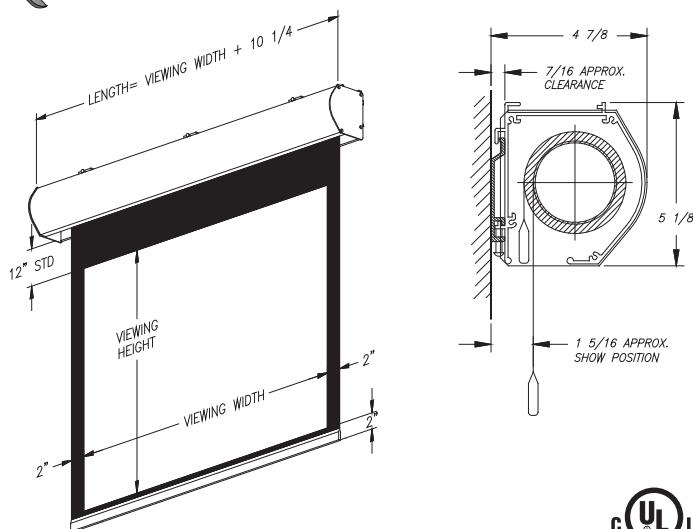
The Lectric I, Vutec's most popular motorized projection screen, features a durable all aluminum housing for wall or ceiling applications. Representing the best value in its class, Lectric I comes standard with value-added features, including Vutec's EMS™ EZ-Mounting System, for wall or ceiling applications.

Providing users with maximum versatility, Lectric I also interfaces with low voltage relays, IR and RF remote controls and is available in 4:3, 16:9, 2.35:1, including AV formats in five different screen materials.

See page 43 for In-Ceiling Trim Kit



TECHNICAL



DIAGONAL SIZES

- Pro AV (1:1) : 50" - 96"
- Standard (4:3) : 72" - 180"
- HDTV (16:9) : 92" - 147"
- Widescreen (2.35:1) : 115" - 153"

SURFACES

- Matte White
- Vu-Flex Pro
- Twin-Vu
- SoundScreen
- GreyDove SoundScreen