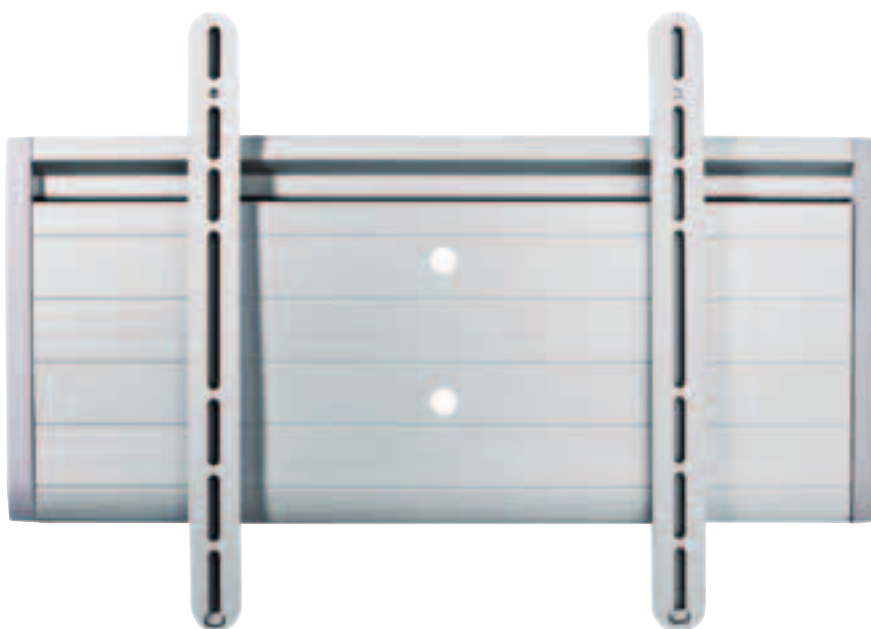


# SMS FLATSCREEN WM T



Perfectly angled!

SMS Flatscreen WM T is made mainly of aluminum and is a smooth and elegant wall-mounted bracket for heavier screens. This is a unique design that will certainly do your screen justice. SMS Flatscreen WM T can be used either to hang your screen flat on to the wall or to tilt it 15 degrees forward. This function allows you a perfect view even if you hang the screen high up on the wall. This bracket is easily mounted and can hold screens up to 30 kg.

- |  |   |  |                                |
|--|---|--|--------------------------------|
| <input type="radio"/> Ceiling                | <input type="radio"/> Heavy weight                    | <input type="radio"/> Fixed                  | <input type="radio"/> Variable |
| <input checked="" type="radio"/> <b>Wall</b> | <input checked="" type="radio"/> <b>Middle weight</b> | <input type="radio"/> Swivel                 | <input type="radio"/> UniSlide |
| <input type="radio"/> Floor                  | <input type="radio"/> Light weight                    | <input checked="" type="radio"/> <b>Tilt</b> | <input type="radio"/> Hidden   |
| <input type="radio"/> Table                  |   | <input type="radio"/> 3D                     | <input type="radio"/> Double   |
|  |   | <input type="radio"/> Mobile                 |                                |

# SMS FLATSCREEN WM T

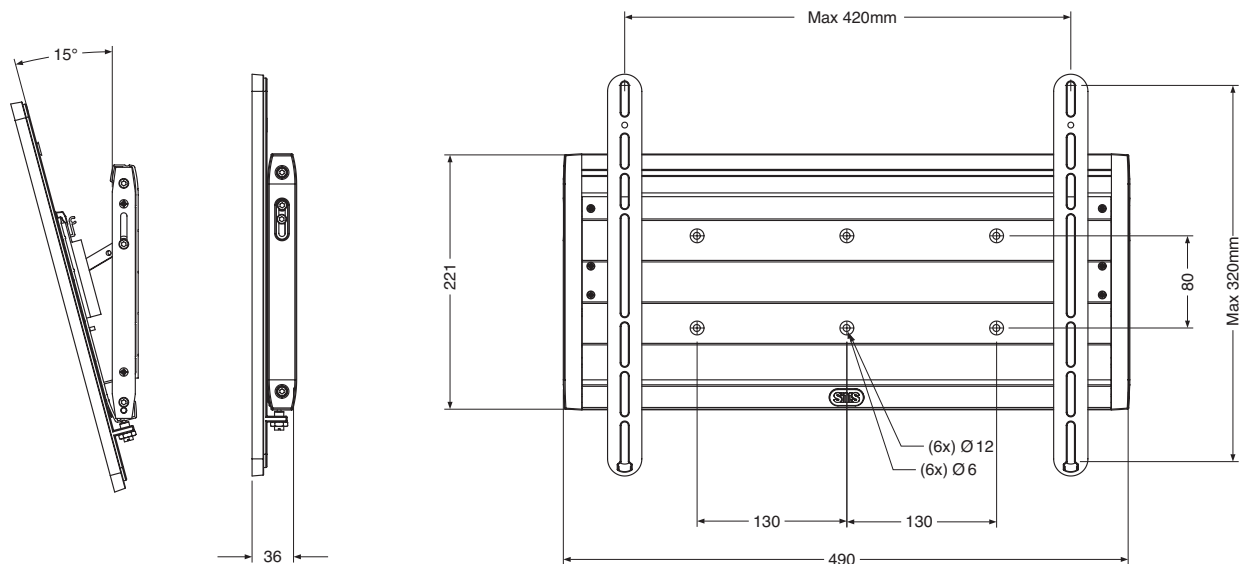
## INFO

- Color: Aluminum/silver.
- Max load: 30 kg
- Weight: 2,2 kg
- Total height/length hole pattern: max 420x330 mm.
- Distance from wall: 36 mm
- Tilt/Swivel: The screen can be tilted 15° forward.
- Wall panel: 221x490x36 mm.
- Size (threaded holes): M4, M5, M6.

ART. NO  
FS012001

DESCRIPTION  
SMS Flatscreen WM T Aluminum/silver

Unislide is included: SMS Flatscreen M Unislide  
(see page 1:U2 for further info). Supports Vesa standard:  
75x75/100x100/100x200/200x200/400X200 mm and screens  
with max hole pattern: 420x330 mm.



[www.SmartMediaSolutions.se](http://www.SmartMediaSolutions.se)