

# TOURMASTER

## Economical Personnel Carrier

MODELS	B-100	
TYPE	Electric	
SPEED (MAX MPH)	12	(19 km/h)
RANGE (MILES)	20	(32 km)
LOAD CAPACITY (lbs)	800	(363 kg)
VOLTAGE	36 Volt	
TURNING RADIUS (INCHES)	132"	(335 cm)



## Tough and Dependable Product Solutions

The Tourmaster is designed to provide practicality and convenience in both industrial and commercial applications. With its standard four passenger, forward facing seating configuration, it is the most economical personnel carrier in its class.

The vehicle utilizes a reinforced tubular steel chassis with an all smooth steel body. Tourmaster incorporates a 36 volt drive train with solid state controls that provide speeds up to 12 mph while carrying up to 800 lbs. Its light weight body design is turf friendly and practical for today's indoor and outdoor applications.

Standard equipment includes 5.70 x 8 load range B pneumatic tires, front and rear leaf spring suspension, and self-adjusting rear drum brakes, making the Tourmaster the best value in its class. Accessories include windshield, light package, top, stake sides, and utility boxes.

With over 150,000 vehicles in service and over 50 years experience, Taylor-Dunn products are the best way to go about your business.



**TAYLOR-DUNN**<sup>®</sup>  
Commercial and Industrial Vehicles Since 1949

*The best way to go about your business*

**PERSONNEL CARRIERS**



**Aristocrat**



**Roadmaster**

**BURDEN CARRIERS**



**Taylortruck**



**Loadmaster**



**Model B Series**



**Electruck**



**Maintenance Expediter**



**Stepsaver**



**Stockchaser**

**TOW TRACTORS**



**Towmaster**



**Mule**



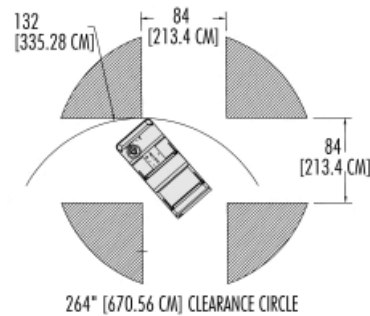
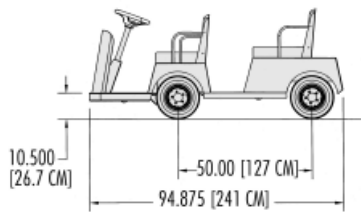
**Pullmaster**



**Model E**



**Huskey**



**TOURMASTER STANDARD SPECIFICATIONS**

- Product Line:** B-100
- Wheels:** 4 wheels
- Unit Weight:** 1,128 lbs. (512 kg)
- Load Capacity:** 800 lbs. (363 kg)
- Battery Type:** Six 217 amp hr., 6 volt (lead acid)
- System Voltage:** 36 volts
- Travel Distance (Unloaded):** 20 miles (32 km)
- Energy Consumption:** 264 watt/hr. per mile
- Drive Axle:** Direct drive, oil bath
- Motor:** 36V@1,200 rpm, DC series, wound 6 hp
- Speed (Unloaded):** 12 mph (19 km/h)
- Gradeability:** 15% empty, 5% loaded
- Tires:** 5.70 x 8 load range B pneumatic
- Brakes:** Two wheel mechanical rear drum w/foot operated parking brake

- Frame:** All-welded steel unitized body with heavy duty 14 gauge smooth sheet
- Bumper:** Integrated heavy duty steel front
- Suspension:** Leaf springs front and rear
- Color:** Tan
- Seats:** Individual driver and passenger seats with rear bench seat
- Controller:** Solid state speed controller, 275 amp, 36 volt
- Instrumentation:** Forward/reverse selector, key switch, electric horn
- Light Accessories:** Brake light
- Charger:** 36 volt built in charger
- Charge Time:** 8 hours for charge on batteries 80% discharged
- Input Voltage:** 110 volt AC/60Hz
- Charging Energy Requirements:** 9.9 kw/hr @ 80% efficiency
- Conformance Standards:** Type E OSHA requirements 1910.178, ANSI B56-8 requirements

**TOURMASTER OPTIONAL FEATURES**

- Charger**
  - Portable charger
  - 220 volt AC/50 Hz
- Accessories**
  - Strobe light, amber on pole, or on sun top
  - Headlight and taillight
  - Reverse alarm, hour meter, battery status indicator
  - Luggage rack
  - Utility box, lockable
  - Wink mirror
  - Mirrors - left, right
  - Sun top cover
  - Plastic windshield
- Color**
  - White, or special paint color
  - Undercoating



Luggage rack



Utility box



**TAYLOR-DUNN CORPORATION**  
Commercial and Industrial Vehicles Since 1949



2114 West Ball Road, Anaheim, CA 92804 • (714) 956-4040 • FAX (714) 956-3130  
Toll Free (800) 688-8680 Visit our website: [www.taylor-dunn.com](http://www.taylor-dunn.com)