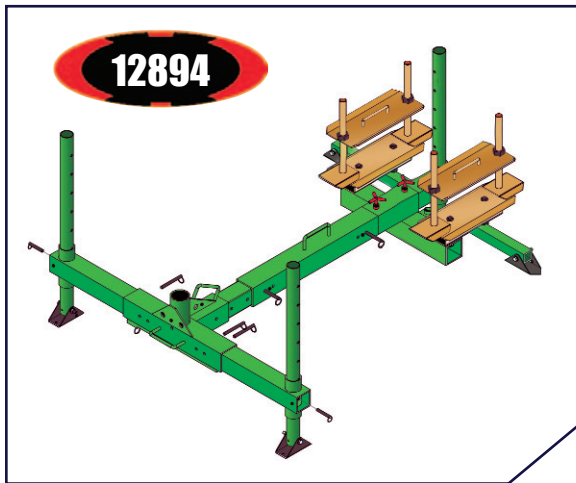


Features & Specifications

Counterweight System Base: The UCL Counterweight System is composed of a central base unit to accommodate a variety of anchoring options, positioning and adjustment legs, and extension assemblies. Anchoring options include a weight rack for counter balanced applications, a rail clamp assembly for anchorage to railway track rails, and a wheel pad assembly to allow counter balance of the unit with an attendant vehicle. *Model #12894 shown with UCL 12"-29" Adjustable Offset Mast, Digital 100 Series Winch and brand-name SRL, each sold separately. Please see the UCL Hoists, Davits, Bases & Accessories catalogue (Part #: 19400) for more information.*

NOTE: Individual weight plates sold separately. Please see the detailed chart in the Operator's Manual for weight anchorage requirements.



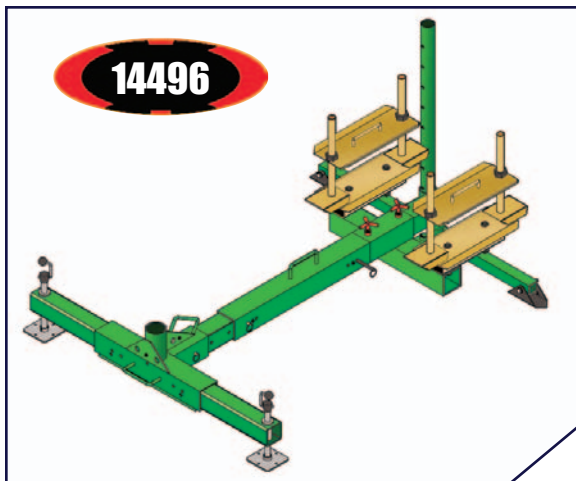
Price

Part #

12894

Description

Counterweight System Base
w/ Pole Leg Assembly
Weight: 199 lbs (90.2 Kg)



Price

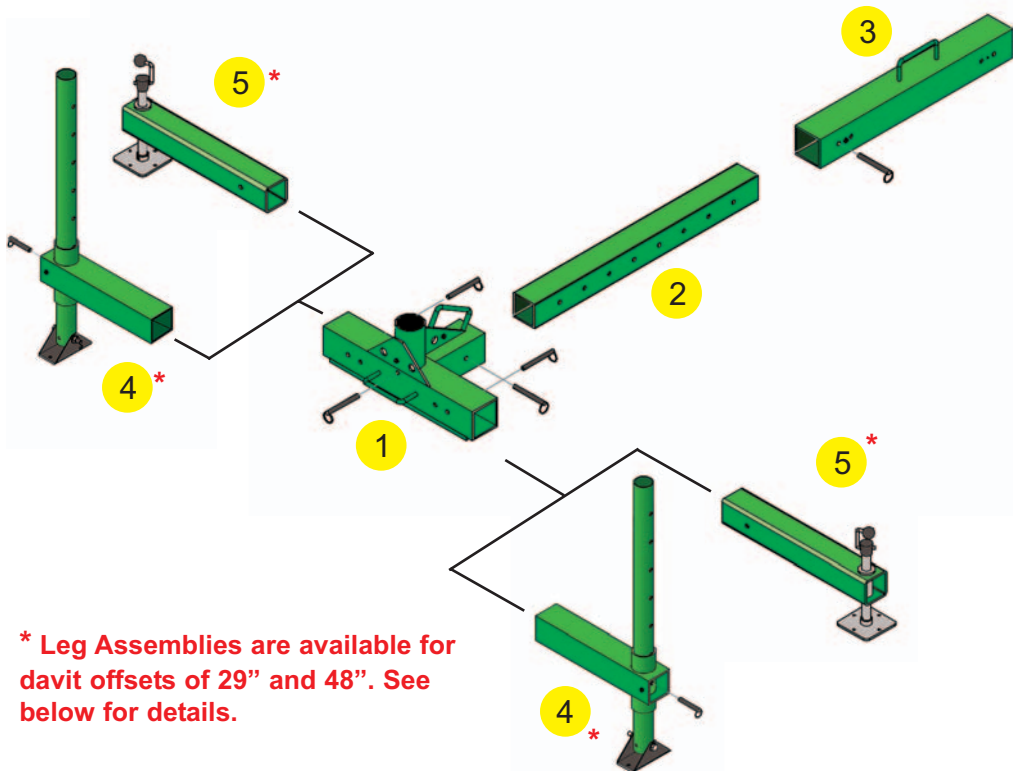
Part #

14496

Description

Counterweight System Base
w/ Screw Leg Assembly
Weight: 192 lbs (87.1 Kg)

Building Your Counterweight Base

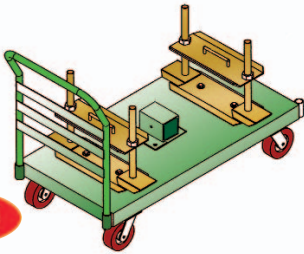


* Leg Assemblies are available for davit offsets of 29" and 48". See below for details.

Price:		Part #	Description
<input type="text"/>	1	13593	Center Section Base for Counterweight System Weight: 22 lbs (9.9 Kg)
<input type="text"/>	2	11111	36" Inner Extension Tube: <i>Can be customized to different lengths for specialized applications. Please call for more details.</i> Weight: 10 lbs (4.5 Kg)
<input type="text"/>	3	15071	31" Outer Extension Tube Weight: 12 lbs (5.4 Kg)
<input type="text"/>	4	13153 or 14418	Adjustable Height Pole Leg Assembly. Use for 0" - 29" Offset Mast (2 Req'd) Weight: 6 lbs (2.7 Kg) Adjustable Height Pole Leg Assembly Use for 30" - 48" Offset Mast (2 Req'd) Weight: 8 lbs (3.6 Kg)
<input type="text"/>	5	12900 or 20887	Leg Section w/ Screw Legs Use for 0" - 29" Offset Mast (2 Req'd) Weight: 12 lbs (5.4 Kg) Leg Section w/ Screw Legs Use for 30" - 48" Offset Mast (2 Req'd) Weight: 14 lbs (6.3 Kg)

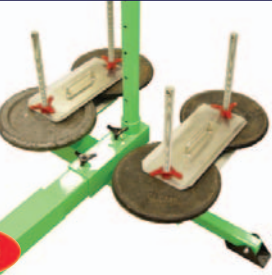
Please see anchorage options on the right. See reverse for more info about each anchorage option.

Anchorage Options



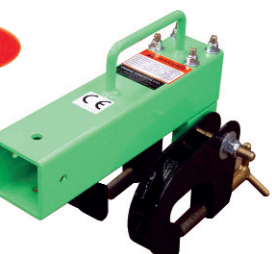
20867

Counterweight Cart




13515

Counterweight Rack Assembly



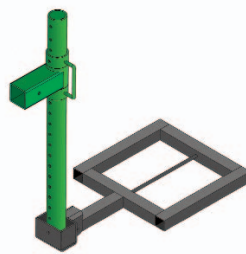
13514

Rail Bridge Clamp Kit



20866

Catwalk Clamp



13618

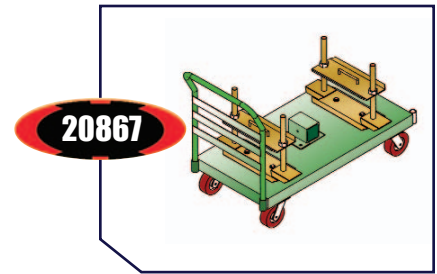
Vehicle Counterweight Wheel Pad

Counterweight Anchorage Options

Counterweight Cart: Offers a portable solution to move your counterweight easily & effectively in areas throughout a plant on level ground. The cart can be equipped with storage packets for the complete Counterweight Base and Davit arm. *Weight plates sold separately. Please see owner's manual for more information.*

Price	Part #	Description
<input type="text"/>	20867	Counterweight Cart

Weight: 300 lbs (136 Kg)



Counterweight Rack Assembly: Accommodates a maximum of twenty-nine 50lb (22.5 Kg) weight-lifting plates for 1450 lbs of anchorage. *Weight plates sold separately. Please see owner's manual for more information.*

Price	Part #	Description
<input type="text"/>	13515	Counterweight Rack Assembly

Weight: 88 lbs (39.9 Kg)



You are reading the brochure highlighted below:

Look for these additional UCL Accessory brochures marked * to accompany this catalogue:

* Hoists, Davits, Bases & Accessories - #9700101

Vehicle Hitch Mount Sleeve - #9700102

Counterweight Systems - #9700103

* Winches & Brackets - #9700104

Tripods & Accessories - #9700105

Pole Hoist - #9700106

Side Entry/Tank Pod Systems - #9700107

Portable Fall Arrest Systems - #9700108

Engineered Systems - #9700109

Portable Tanker Access Ladder Sys. - #9700110

Basic Hoists - #9700111

Fold Up Hoist - #9700112

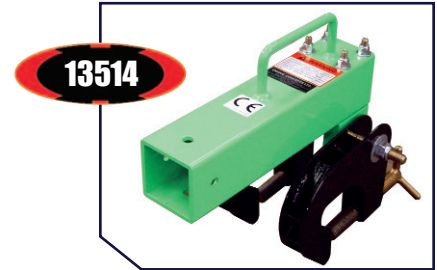
Glide 360 Rail System - #9700113

UCL Product Summary - #9700114

Rail Bridge Clamp Kit: This anchorage option is designed to clamp to all standard railway rails and supply a portable support base for a UCL Safety Systems mast assembly.

Price	Part #	Description
<input type="text"/>	13514	Rail Bridge Clamp Kit

Weight: 24 lbs (10.8 Kg)



Catwalk Clamp: Designed to secure to the underside of elevated walkways, catwalks & mezzanines. This option offers a flexible means of tank entry into challenging areas.

Price	Part #	Description
<input type="text"/>	20866	Catwalk Clamp

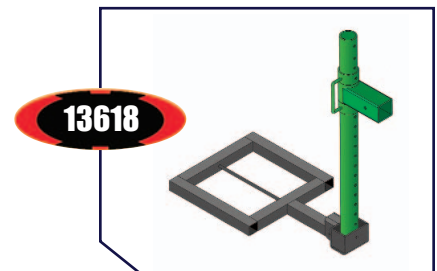
Weight: 26 lbs (11.8 Kg)



Vehicle Counterweight System Wheel Pad: This optional component allows counter balance of the Counterweight System with an attendant vehicle.

Price	Part #	Description
<input type="text"/>	13618	Vehicle Counterweight System Wheel Pad

Weight: 40 lbs (18.4 Kg)



Distributed by:



USA: 1-800-328-6146
 Canada: 1-800-387-7484
 Asia: +852 2992 0381
 Northern Europe: +44 (0) 1928 57 1324
 Europe, Middle East, Africa:
 +33 (0) 497 10 00 10
 Australia, New Zealand: 1800 245 002
 Or visit www.capitalsafety.com



Manufactured by:
UCL Concepts Ltd.

Unit 1 - 1500 King Edward Street
 Winnipeg, Manitoba, Canada
 R3H 0R5
 Phone: 204-694-7432
 Toll Free: 1-800-455-9673
 Fax: 204-694-7612
 E-mail: qcm1@mts.net
 Or visit www.uclsafetysystems.com