

DBI

SALA

NEW



Shown with Optional Wedgegrip Termination

Engineered
horizontal
lifeline system
that is
lightweight,
easy to install
and safe!

SecuraSpan® is a horizontal system that installs to column tops providing workers fall protection during the decking process!

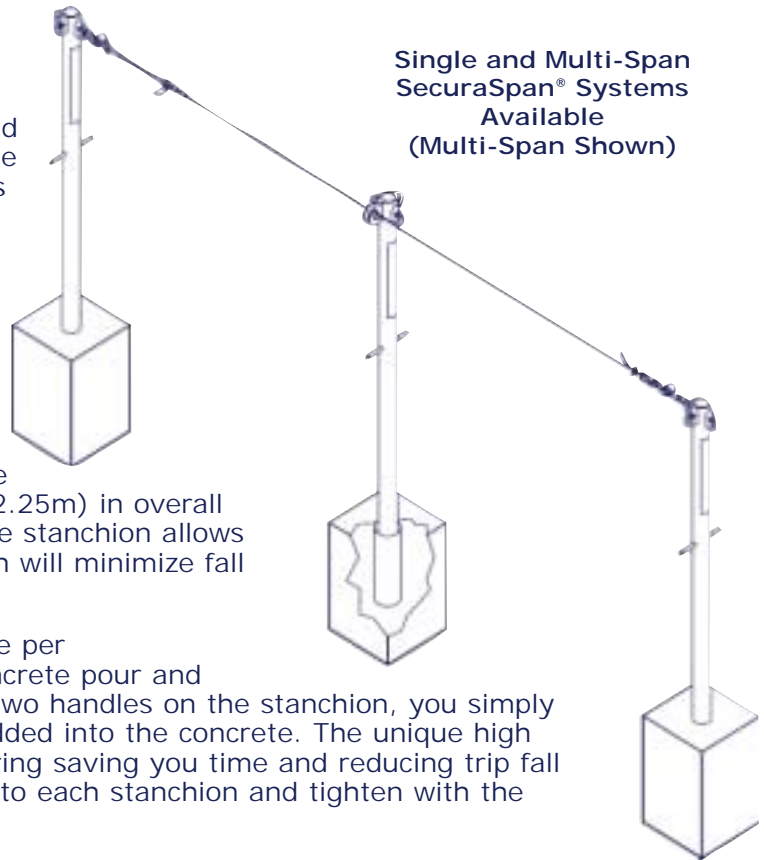
- Provides worker with an overhead horizontal lifeline system that minimizes fall clearances
- Stanchion simply slides into the embedded pour-in-place sleeve for fast installation
- High strength design does not require "tie-back" for fast and efficient installation
- Single span or multi-span configurations available for complete worksite flexibility
- Aluminum construction is durable and lightweight for ease-of-use and portability

SecuraSpan® Pour-In-Place HLL System

A Safe Solution to Non-Engineered Systems The SecuraSpan® horizontal lifeline (HLL) system was developed to provide an economical and safe solution to non-engineered homemade HLL systems. The system and all components have been rigorously tested to exceed the unique dynamic, performance and strength requirements involved with horizontal systems. The lightweight stanchions can be configured into a complete engineered fall protection system for concrete construction.

Provides Complete Jobsite Flexibility With the optional "bypass" bracket, the system can be configured to run indefinitely for ultimate jobsite flexibility and handle up to 6 workers (2 workers per span max). Spans between intermediates can be as great as 60 ft. (18m) depending upon your clearance requirements. The standard pour-in-place SecuraSpan® stanchion is 7'-6" (2.25m) in overall height, but once installed is 6'-6" (2m). The height of the stanchion allows the system to be used with a self retracting lifeline which will minimize fall clearances (see chart below).

Ease of Installation Once the pour-in-place sleeve (one per system stanchion included) has been installed to the concrete pour and fully cured, installation just takes seconds. Utilizing the two handles on the stanchion, you simply lower the stanchion into the sleeve that has been embedded into the concrete. The unique high strength design does not require tedious tie-back anchoring saving you time and reducing trip fall hazards. Then, you simply connect the lifeline assembly to each stanchion and tighten with the built-in tensioner.



Single and Multi-Span SecuraSpan® Systems Available (Multi-Span Shown)

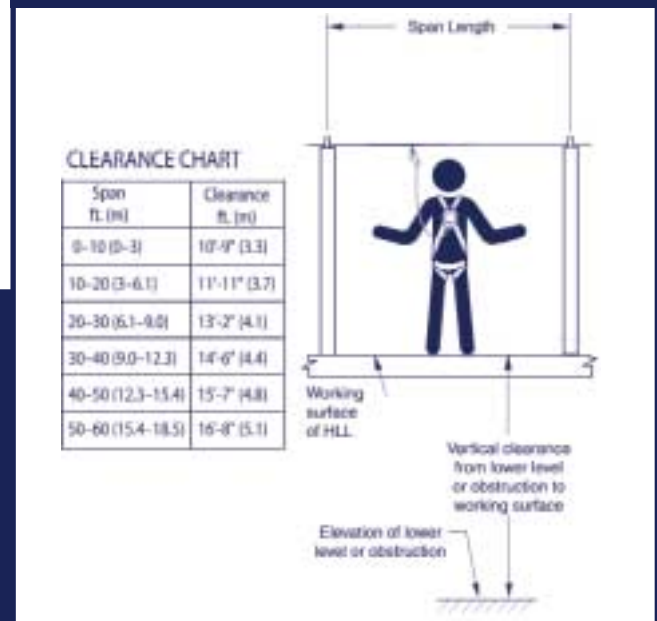
SecuraSpan® Pour-In-Place System and Components:

- 7400260: 60 ft. (18m) SecuraSpan® Pour-In-Place HLL System, two stanchions, cable assembly, and two sleeves (other lengths available in 10 ft. {3m} increments)
- 7400200: Intermediate Bracket Kit
- 7400203: SecuraSpan® Pour-In-Place Stanchion
- 7400201: Pour-In-Place Sleeve
- 7403060: 60 ft. (18m) Cable Assembly with turnbuckle, Zorbit™ (other lengths available in 10 ft. {3m} increments)

Specifications:

- Stanchion:** Aluminum tube, zinc plated alloy steel rings, fasteners
- Capacity:** 310 lbs. (140 kg)
- Stanchion Height/Weight:** 6'-6" (2m) installed, 53 lbs. (24 kg)
- Minimum Breaking Strength:** 5000 lbs. (22 Kn)
- Cable:** 3/8" (10mm) galvanized 7x19, minimum tensile strength of 14,400 lbs. (64 Kn)
- Turnbuckle:** Galvanized
- Energy Absorber:** Zorbit™ stainless steel
- Termination:** Zinc plated steel thimble
- Carabiners:** Zinc plated steel

Clearance Chart



ISO 9001 - With a full quality assurance program certified under ISO 9001, Capital Safety supplies the industry with a quality range of safety products to provide added security. That 's why we back each of our fall protection and rescue systems with the best training, tech assistance and customer service in the business. It makes life easier for you and safer for your workers.



Capital Safety • 3833 SALA Way, Red Wing, MN 55066-5005
 Phone: 651-388-8282 • Fax: 651-388-5065
 Toll Free US: 800-328-6146 • Toll Free Canada: 800-387-7484
 www.capitalsafety.com • Email: solutions@dbisala.com

Form: 9700116 Rev: A