



EXTERIOR FIRE PROTECTION HOUSES

HYDRANT HOUSES



6010

FUNCTION: Used over outside hydrants to protect the hydrants and an adequate supply of hose and equipment. For use by plant personnel or fire brigades at industrial locations.

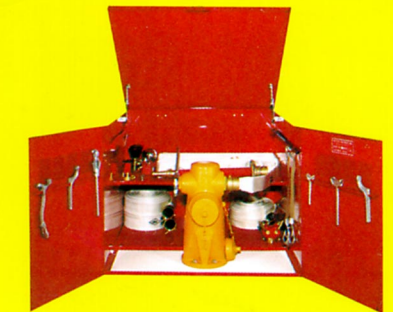
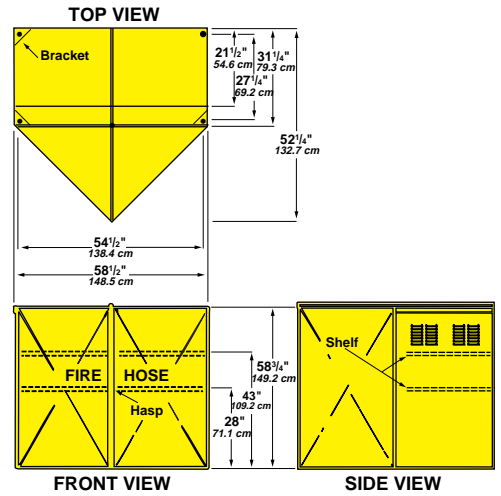
REGULARLY FURNISHED: 18 ga. electro-galvanized steel powder-coated with an electrostatically-applied, thermally-fused, red polyester finish. Interlocking assembly construction with two shelves, doors with continuous steel hinge (brass pin) equipment brackets, corner hold down brackets and padlock hasp. Shipped unassembled, with instructions, and 4"/10.2 cm high Fire Hose lettering. Two sets of louvers on each side. Base supplied by others.

Model 6010 Pentagonal

OPTIONAL MATERIALS:

-AL Aluminum construction with thermally-fused red polyester coated

Refer to page 6-3 for Equipment Guidelines.



6025

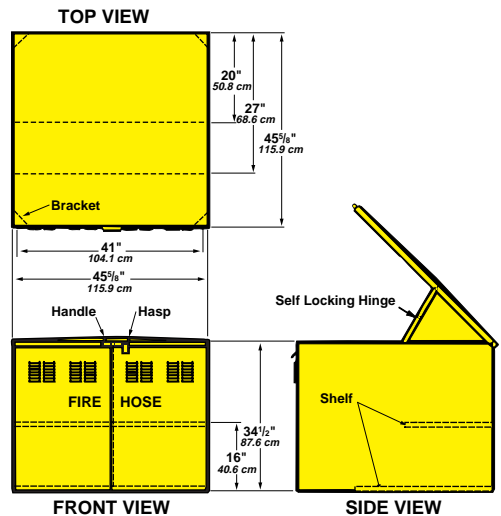
REGULARLY FURNISHED: 18 ga. electro-galvanized steel powder-coated with an electrostatically-applied, thermally-fused, red polyester finish. Interlocking assembly construction with two shelves, doors with continuous steel hinge (brass pin) equipment brackets, corner hold down brackets and padlock hasp. Shipped unassembled, with instructions, and 4"/10.2 cm high Fire Hose lettering. Two sets of louvers on each side. Base supplied by others.

Model 6025 Square

OPTIONAL MATERIALS:

-AL Aluminum construction with thermally-fused red polyester coated

Refer to page 6-3 for Equipment Guidelines.



EQUIPMENT HOUSES



6030 & 6035

FUNCTION: Used adjacent to outside hydrants to protect an adequate supply of hose and equipment. For use by plant personnel or fire brigades at industrial locations.

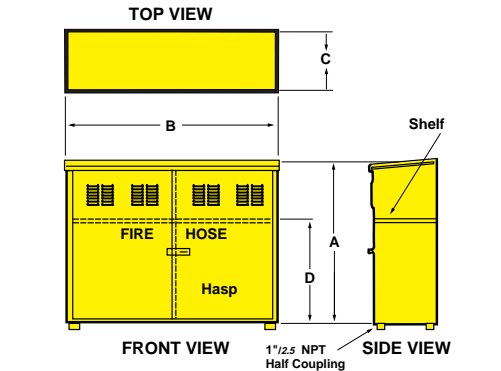
REGULARLY FURNISHED: 18 ga. electro-galvanized steel powder-coated with an electrostatically-applied, thermally-fused, red polyester finish with one shelf. Doors with continuous steel hinge (brass pin) equipment brackets and padlock hasp, shipped assembled with thread attachment for pipe legs and 4"/10.2 cm high Fire Hose lettering. Two sets of louvers on each door. Size as selected by Model Number.

OPTIONAL MATERIALS:

-AL Aluminum construction with thermally-fused red polyester coated

-PL 1" x 18"/2.5 x 45.7 cm pipe legs

Refer to page 6-3 for Equipment Guidelines.



Mod. No.	A in. cm	B in. cm	C in. cm	D in. cm
6030	48 121.9	60 152.4	15 38.1	36 91.4
6035	36 91.4	45 114.3	15 38.1	24 61

Call Potter-Roemer for current listings and approvals. Dimensions are subject to manufacturer's tolerance and change without notice. We assume no responsibility for use of superseded or void data.

ROOF HOUSE AND FIRE DEPARTMENT EQUIPMENT STATION

POTTER-ROEMER



A Division of Smith Industries, Inc.

ROOF HOUSE

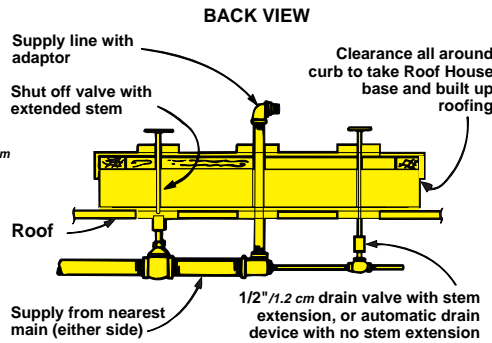
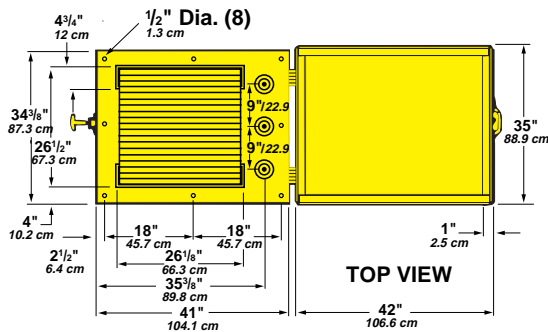
FUNCTION: Used to provide roof hose stations. Maintains readily available fire protection for extensive roof areas. Accommodates 100'/30.4 m of 1 1/2"/3.8 cm lined hose.

REGULARLY FURNISHED: Powder-coated with an electrostatically-applied, thermally-fused, red polyester finish. 14 ga. electro-galvanized steel base, 26 ga. corrugated galvanized steel platform and 18 ga. steel cover. Cover provided with spring-loaded latch, handle, stainless steel continuous hinge and 4"/10.2 cm high Fire Hose lettering. Three access sleeves accommodate connections into building. Roof curbing by others.

MINIMUM EQUIPMENT:

(Must be ordered separately)

- 1- Model 4119 1 1/2"/3.8 cm FxF Valve w/Extended Stem
- 1- Model 4120 1 1/2"/3.8 cm FxF Valve w/Extended Stem (Specify Stem Length)
- 1- Model 2830 1 1/2"/3.8 cm Brass MxM Adapter
- 1- Model 2934 1 1/2"/3.8 cm Brass Hose Coupling
- 1- Model 2901 1 1/2"/3.8 cm Single Jacket Lined 300 PSI/20.6 bars Hose (Specify Length)
- 1- Model 2962 1 1/2"/3.8 cm Brass Fog Nozzle



FM

6040

FIRE DEPARTMENT EQUIPMENT STATION

FUNCTION: Used to provide storage of emergency fire fighting equipment for fire department use.

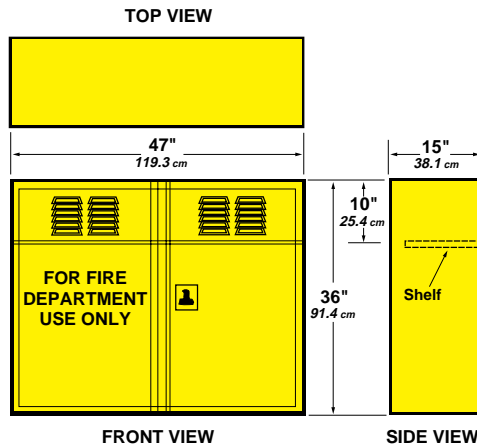
REGULARLY FURNISHED: Powder-coated with an electrostatically-applied, thermally-fused, red polyester finish, 18 ga. electro-galvanized steel with one shelf. Doors with continuous steel hinge, (brass pin) equipment brackets, two-point lock and 3"/7.6 cm high "FOR FIRE DEPARTMENT USE ONLY" lettering. Two sets of louvers in each door.

OPTIONAL FINISH:

-P White Prime Polyester Coating

RECOMMENDED EQUIPMENT:

- 2- Model 2913 2"x100'/5 cm x 30.4 m Double Jacket Hose with 1 1/2"/3.8 cm Coupling
- 4- Model 2914 2 1/2"x50'/6.4 cm x 15.2 m Double Jacket Hose with 2 1/2"/6.4 cm Coupling
- 1- Model 2810 2 1/2"x1 1/2"/6.4 x 3.8 cm Adapter
- 2- Model 2993 1 1/2"/3.8 cm Constant Gallonage Fog Nozzle
- 1- Model 3020 20 lb./9 kg ABC Fire Extinguisher
- 1- Model 6057 Universal Spanner
- 1- Model 6060 Fire Axe
- 1- Model 6062 Pry Bar
- 1- Model 6090 Portable Light



6045

MAXIMUM CAPACITY FOR HOUSES

Model No.	Double Jacket Hose		Fire Axe	Pry Bar	Portable Fire Extinguisher	Balance of Equipment As Recommended
	1 1/2" x 100'/3.8 x 30.4 m and 2 1/2" x 50'/6.4 cm x 15.2 m					
6010	600 and 300/182.8 and 91.4		✓	✓		✓
6025	400 and 300/122 and 91.4		✓	✓		✓
6030	200 and 300/61 and 91.4		✓	✓		✓
6035	200 and 300/61 and 91.4		✓	✓		✓
6040	100/30.4					✓
6045	300 and 200/91.4 and 6.1		✓	✓	✓	✓

All dimensions in English and Metric.



EQUIPMENT FOR EXTERIOR HOUSES

I.R.I. INDUSTRIAL RISK INSURANCE REQUIREMENTS

50'/15.2 m lengths Model 2902 hose with Model 2936 couplings. (Quantity depends upon local authority having jurisdiction)

- 2- Model 2949 U/L Playpipes (with Brackets)
- 1- Model 6060 Axe (with Brackets)
- 1- Model 6062 Pry Bar (with Brackets)
- 1- Model 6055 Hydrant Wrench
- 4- Model 6051 Common Spanners
- 2- Model 6067 Hose and Ladder Straps
- 1- Model 6065 Playpipe Holder
- 2- Model 6098 Gaskets (Spare)

(Brackets integral part of houses)

MINIMUM FM REQUIREMENTS (Approval Guide)

- 4- Model 2902 50'/15.2 m lengths hose with Model 2936 couplings
- 2- Model 2901 50'/15.2 m lengths hose with Model 2934 couplings
- 1- Model 6095 Gated Connection
- 2- Model 2973 Fog Nozzles
- 1- Model 2960 Fog Nozzle
- 1- Model 2810 2 1/2" x 1 1/2"/6.4 x 3.8 cm Adapter
- 2- Model 6055 Hydrant Wrench
- 2- Model 6050 Common Spanners
- 4- Model 6051 Common Spanners

Note: Selection of equipment required is determined by the authority having jurisdiction.

COMMON SPANNER



Model 6050 1 1/2"/3.8 cm Size
 Model 6051 2 1/2"/6.4 cm Size
 -BR for Brackets
 Cast iron wrench for pin lug fittings.

HYDRANT WRENCH



Model 6055
 Cadmium plated, cast iron adjustable wrench for pentagonal nuts or pin and rocker lug fittings.

UNIVERSAL SPANNER



Model 6057
 Cast iron universal wrench for pin and rocker lug fittings with gas cock slot and pry handle.

AXE



Model 6060
 -BR for Brackets
 Red painted axe with steel pick head.

PRY BAR



Model 6062
 -BR for Brackets
 48"/121.9 cm long blue painted bar with pinch point.

PLAYPIPE HOLDER



Model 6065
 Red painted steel holder with strap and foot disc.

HOSE & LADDER STRAP



Model 6067
 Polyester strap with cadmium plated, malleable iron hook and handle.

PORTABLE LIGHT



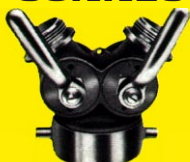
Model 6090
 6-volt battery operated hand light. Furnished less battery.

BREAKABLE PADLOCK



Model 6092
 Cadmium plated steel padlock with break away shackle.

GATED CONNECTION



Model 6095
 Cast brass with red painted body and chrome trim 2 1/2"/6.4 cm female swivel inlet and two 1 1/2"/3.8 cm male hose outlets with quarter-turn shutoff. **SPECIFY:** Thread

GASKET



Model 6097 1 1/2"/3.8 cm Size
 Model 6098 2 1/2"/6.4 cm Size
 Spare Hose Gasket.

UNIVERSAL WRENCH for POST INDICATOR VALVE



Model 6250
 Universal Post Indicator Wrench with red baked enamel finish and key.