

The lightweight ***UCL Advanced Pole Hoist*** is an extremely versatile piece of confined space entry/retrieval and rescue equipment. Simply carabiner the universal bracket to a suitable anchor point to work in any direction from any angle. The Advanced Pole Hoist has a unique swivel head that rotates 360 degrees, providing unparalleled flexibility in both vertical and horizontal confined-space entries. Overall length adjusts from either 4' - 7' or 6' - 10' for positioning attendant for working in close quarters. Designed for use with all UCL Safety Systems winches and can accommodate other manufacturer's winches/SRLs. The Pole Hoist is available with an optional leg assembly to support winch and ease operation. Powder coated welded aluminum construction with zinc-plated steel hardware. ***Custom Pole Hoist sizes are available. Please call for more details.***



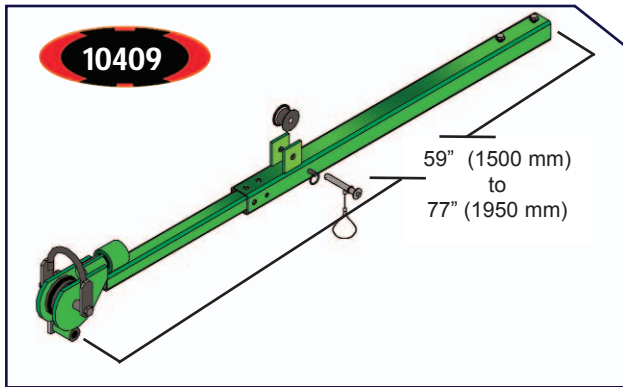
A Capital Safety Company

Pole Hoist & Accessories



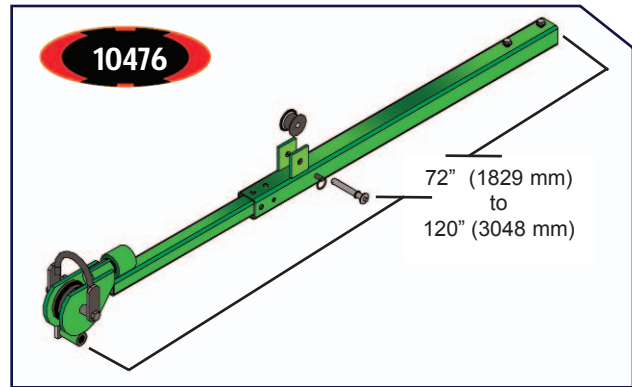
www.uclsafety.com

Specifications & Accessories



Price	Part #	Description
<input type="text"/>	10409	4' - 7' Extendable Pole Hoist, c/w swivel head & hardware
<input type="text"/>	16303	4' - 7' Extendable Pole Hoist, c/w swivel head & stainless steel hardware
<input type="text"/>	13329	Carrying Bag for 4' - 7' Pole Hoist

4' - 7' Pole Hoist Weight: 12 lbs (5.4) kg



Price	Part #	Description
<input type="text"/>	10476	6' - 10' Extendable Pole Hoist, c/w swivel head & hardware
<input type="text"/>	20869	6' - 10' Extendable Pole Hoist, c/w swivel head & stainless steel hardware
<input type="text"/>	13330	Carrying Bag for 6' - 10' Pole Hoist

6' - 10' Pole Hoist Weight: 14 lbs (6.4) kg

You are reading the brochure highlighted below:

Look for these additional UCL Accessory brochures marked * to accompany this catalogue:

Hoists, Davits, Bases & Accessories - #9700101

Vehicle Hitch Mount Sleeve - #9700102

Counterweight Systems - #9700103

* Winches & Brackets - #9700104

Tripods & Accessories - #9700105

Pole Hoist - #9700106

Side Entry/Tank Pod Systems - #9700107

Portable Fall Arrest Systems - #9700108

Engineered Systems - #9700109

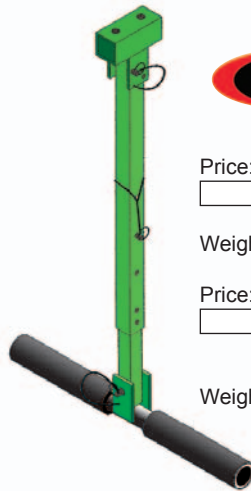
Portable Tanker Access Ladder Sys. - #9700110

Basic Hoists - #9700111

Fold Up Hoist - #9700112

Glide 360 Rail System - #9700113

UCL Product Summary - #9700114

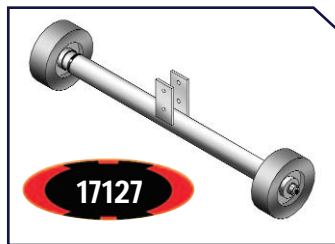


Price:	Part #	Description
<input type="text"/>	11235	T-Bar Leg Assembly

Weight: 7 lbs (3.1) kg

Price:	Part #	Description
<input type="text"/>	16442	T-Bar Leg Assembly w/ Stainless Steel Hardware & Fasteners

Weight: 7 lbs (3.1) kg



Price	Part #	Description
<input type="text"/>	17127	Wheel Kit for UCL Pole Hoist T-Bar Leg c/w 6 X 1.5" Urethane Wheels

Weight: 3 lbs (1.3) kg

<input type="text"/>	19696	Wheel Kit for UCL Pole Hoist T-Bar Leg c/w 8 X 2" Urethane Wheels
----------------------	-------	---

Weight: 4 lbs (1.8) kg



Price	Part #	Description
<input type="text"/>	11271	Handle for Pole Hoist

Weight: 1 lbs (.4) kg

Distributed by:



USA: 1-800-328-6146
 Canada: 1-800-387-7484
 Asia: +852 2992 0381
 Northern Europe: +44 (0) 1928 57 1324
 Europe, Middle East, Africa:
 +33 (0) 497 10 00 10
 Australia, New Zealand: 1800 245 002
 Or visit www.capitalsafety.com



Manufactured by:
Unique Concepts Ltd.

Unit 1 - 1500 King Edward Street
 Winnipeg, Manitoba, Canada
 R3H 0R5
Phone: 204-694-7432
Toll Free: 1-800-455-9673
Fax: 204-694-7612
E-mail: qcm1@mts.net
 Or visit www.uclsafetysystems.com