



## Safe and Economical Disposable Anchor Solution for Concrete Work!

- Disposable anchor strap is designed to provide a temporary anchorage on concrete columns or tops of shear walls
- Extremely lightweight and compact anchor installs in seconds and is easy to use
- The anchor's web loop simply slips over the rebar, then concrete is poured on top of loop and wear pad
- Provides a safe 5,000 lb. fall arrested anchorage point for your fall protection system
- When no longer needed, simply cut the strap and discard - it's so economical
- Durable polyester construction with full length outer wear pad for ultimate abrasion resistance
- Forged alloy steel D-ring provides a compatible connection point for your lanyard or retractable lifeline
- Designed to meet all applicable industry standards including OSHA and ANSI

# CONCRETE STRAP ANCHOR

**Safe and Economical Protection** Don't let this anchor's simple design and compact size fool you. When properly installed, it provides the user with a fully compliant 5,000 lb. fall arrest rated anchor point. Durable polyester construction with a full length outer wear pad provides abrasion resistance that stands-up to the abusive concrete work environment. In addition, an integrated D-ring tie-off point makes the anchor compatible with most fall protection products on the market (ex. shock absorbing lanyard or self retracting lifeline). The anchor is so economical that when the job is complete, the device is simply discarded.

**Simple, Fast and Efficient Set-Up and Use** The DBI-SALA concrete strap anchor installs in seconds. Once a section of concrete column, or a shear wall has been poured and allowed to cure, place the loop end of the concrete anchor over an exposed section of rebar. Once the anchor is in place, forming of the floor or column may continue. The anchor will be secured by making the next pour, and allowing to cure. Once the forms are removed, the anchor will remain on the face of a column, or on the seam between shear wall and bottom side of the floor (see figure #1). If the rebar cage has already been completed, simply choke the anchor straps loop around the internal rebar (see figure #2). The anchor provides a simple and safe tie-off point for your personal fall arrest system.



## Concrete Strap Anchor Models:

- 2100050:** Concrete Strap Anchor with D-ring, 42" (105cm)
- 2100054:** Concrete Strap Anchor with D-ring, 60" (150cm)
- 2100052:** Concrete Strap Anchor with D-ring, 96" (240cm)
- 2100060:** Concrete Strap Anchor with D-ring and extra loop for two uses, 42" (105cm)
- 2100061:** Concrete Strap Anchor with Loop instead of D-ring, 42" (105cm)

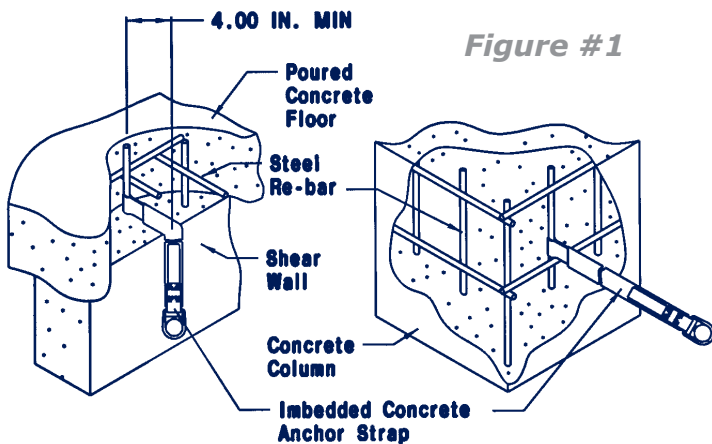


Figure #1

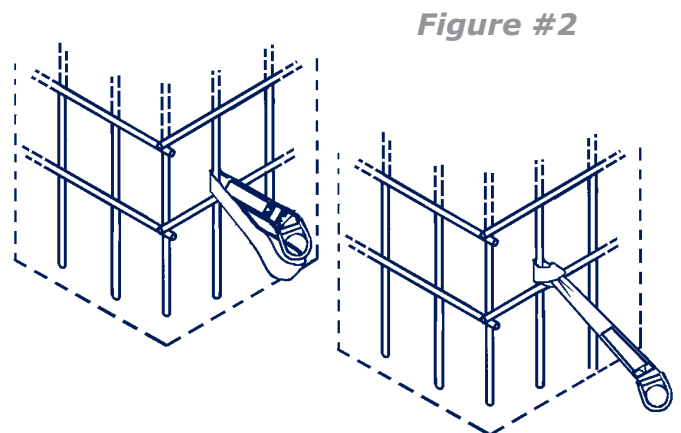


Figure #2

## Specifications:

**Rated Capacity:** 310 lbs. (141kg) **Hardware:** Alloy steel D-ring **Webbing:** 1-3/4" (4.4cm) polyester strength member, 2-1/4" (5.7cm) polyester wear pad **Minimum Breaking Strength:** 5,000 lbs. (2.2kN) when loaded within the recommended working range **Standards:** Meets ANSI Z359.1, OSHA, and EN 795 Class A requirements

## Capital Safety

USA: 800.328.6146 • Canada: 800.387.7484 • Asia: +65 6558 7758 • Australia: 1800 245 002 • New Zealand: 0800 212 505  
 Europe, Middle East, Africa: +33 (0)4 97 10 00 10 • Northern Europe: +44 (0) 1928 571324  
[www.capitalsafety.com](http://www.capitalsafety.com) • [info@capitalsafety.com](mailto:info@capitalsafety.com)