

ROOF TOP ANCHOR FOR MEMBRANE & BUILT-UP ROOFS



Unique load distributing design keeps both the worker and structure safe in the event of a fall.



- Compatible with single ply membrane and built-up type roof structures.
- Standard product fastens through the membrane, insulation and into the metal sheathing, wood sheathing or concrete.
- Can accommodate up to 10.5" (267 mm) of combined roof material, insulation and decking with the standard product fastening methods.
- Zinc plated base plate helps facilitate a true waterproof seal for membrane type roofs.
- Unique "tip-over" design better distributes the forces generated during a fall preserving the structural integrity of the roof.
- OSHA compatible anchor ring at top of post for added safety.
- Meets or exceeds all applicable industry standards including OSHA and ANSI Z359.1.

ROOF TOP ANCHOR FOR MEMBRANE & BUILT-UP ROOFS



Complete Versatility and Ease of Use

Building owners and roof maintenance/replacement contractors prefer fall protection systems that are versatile, easy to use and protect the integrity of the roof. DBI-SALA's Roof Top Anchor is the solution. For jobsite versatility the anchor can be installed to both single ply membrane and built-up asphalt roofs. Installation is also extremely fast and easy by core drilling down through the insulation to the metal or wood sheathing and fastening toggle bolts from the top of the roof. Once installed the base is simply covered with the same material used for the membrane or built-up roof and weather sealed together to ensure integrity.

Unique Load Distributing Design

If the Roof Top Anchor is subjected to a load during a fall, the stanchion tips over distributing the fall arrest forces to the base and fasteners. This unique design provides added safety to the attached worker and maintains the roof's integrity by distributing the forces to the structure.

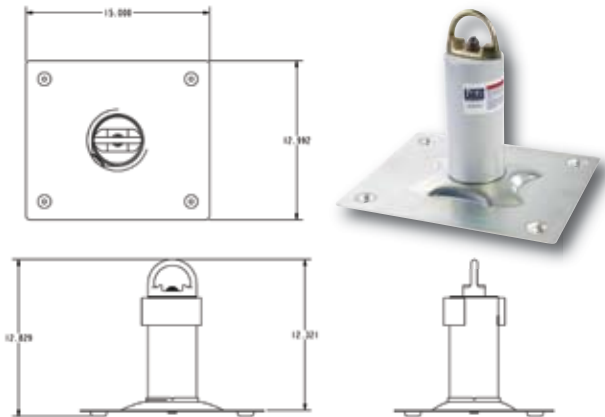
Fast, Simple and Safe Tie-Off Point

The load distributing "tip-over" design allows the anchor to be directly fastened to the roof panels. There is no need to fasten to a structural member making installation fast and simple. The Roof Top Anchor is fall arrest rated providing a safe tie-off point for roofing personnel.

Single or Multi-Person Use

For added jobsite flexibility, the Roof Top Anchor can be set-up for one or two person use. For single use simply attach your shock absorbing lanyard or self retracting lifeline to the anchor and you're ready to go. A Sayflite™ horizontal lifeline system installed between two anchors will provide a safe tie-off point for two workers.

2100076, 2100077 Roof Top Anchors for Membrane & Built-Up Roofs



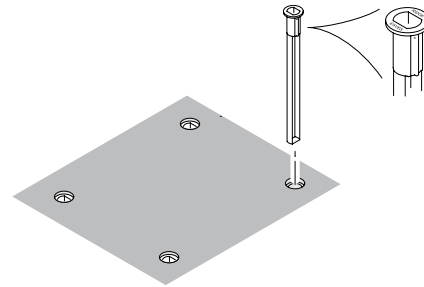
**Please refer to the manufacturer's installation manual for detailed steps on installing this anchor.*

Specifications:

Material: Mild Steel, zinc plated base, painted stainless steel post, aluminum and stainless steel activation element. **D-ring:** zinc plated alloy steel.

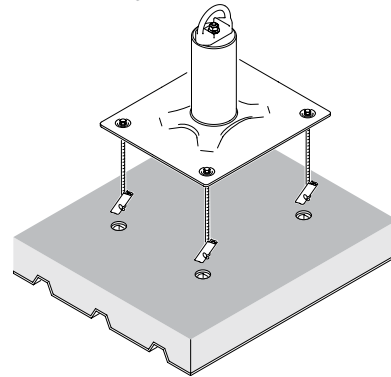
Activation Level: 900 lbs **Capacity:** 310 lbs. **Strength:** 5,000 lbs (22Kn) **Weight:** 2100076 12.6 lbs (5.7Kg), 2100077 14.5 lbs (6.6Kg)

Standards: Meets or exceeds all applicable industry standards including OSHA and ANSI Z359.1

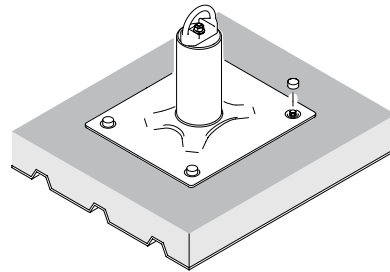


Installation Procedure

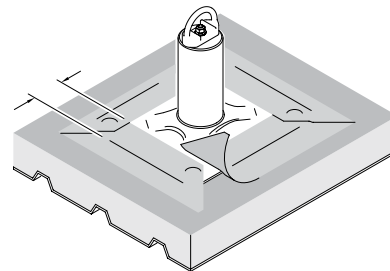
Step 1
Drill holes and insert toggle bolt guides



Step 2
With toggle bolts assembled to anchor, align them with guides and lower onto the roof



Step 3
Tighten each bolt and install protective cap



Step 4
Weatherproof the anchor

Models:

- 2100076:** Roof Top Anchor with 5.5" (140mm) Bolt Kit for Membrane & Built Up Roofs
- 2100077:** Roof Top Anchor with 10.5" (267mm) Bolt Kit for Membrane & Built Up Roofs
- 7240096:** Bolt Kit Only, 10.5" (267mm)
- 7240206:** Bolt Kit Only, 5.5" (140mm)

Capital Safety

USA: 800.328.6146 • Canada: 800.387.7484 • Latin America: +1 651.385.4301 • Asia: +65 6558 7758 • Australia: 1800 245 002
New Zealand: 0800 212 505 • Europe, Middle East, Africa: +33 (0)4 97 10 00 10 • Northern Europe: +44 (0) 1928 571324

www.capitalsafety.com • info@capitalsafety.com