



Fig. 985/986 Mechanical Fast Clamp

APPLICATIONS

- Used for attachment of seismic bracing to pipe hanger or trapeze

FEATURES

- Unique "Fast Attach" yoke design allows Fig. 985 to be installed to hanger rods 3/8" through 5/8" and 3/4" through 7/8" sizes
- Swivel allows adjustment to various surface angles
- Channel sleeve gives you 12" of adjustability, which allows a "Fast" rough-in style installation (When used with TOLCO Fig. 986 Upper Attachment)
- TOLCO® engineered break-off bolt head assures verification of proper installation torque

MATERIALS & CONSTRUCTION

- Carbon steel with Electro-Galvanized finish

FIG. 986
"Structural Attachment"

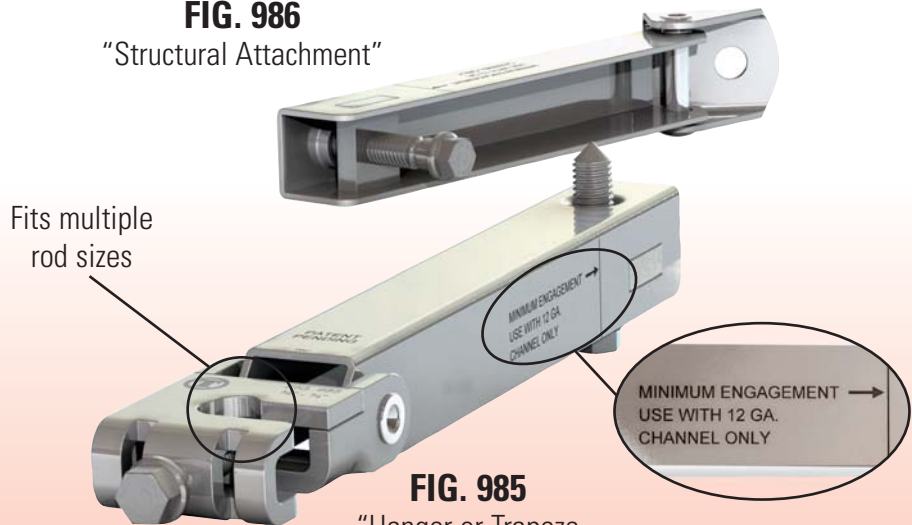


FIG. 985
"Hanger or Trapeze Attachment"

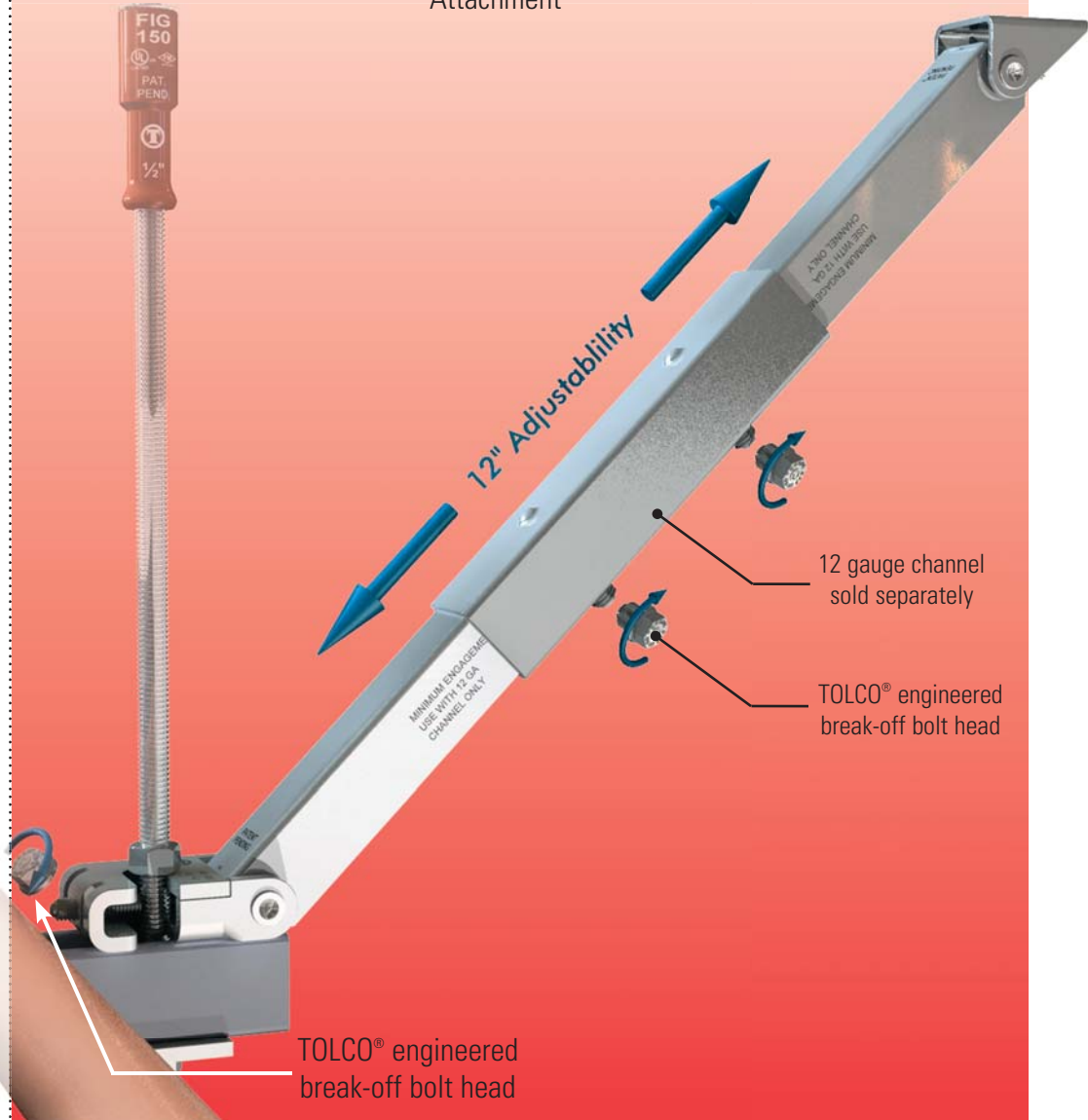


Fig. 985 - Mechanical Fast Clamp

Size Range — 3/8" thru 5/8" and 3/4" thru 7/8" rod

Material — Carbon steel

Function — Used for attachment of seismic bracing to pipe hanger or trapeze

Features —

- Allows up to 12" of adjustability
- Break-off bolt heads visually verify required installation torque
- Unique "Fast Attach" yoke design allows Fig. 985 to be installed to hanger rods 3/8" through 5/8" or 3/4" through 7/8"

Finish — Electro-galvanized

Order By — Figure number, rod size & finish

PATENT PENDING

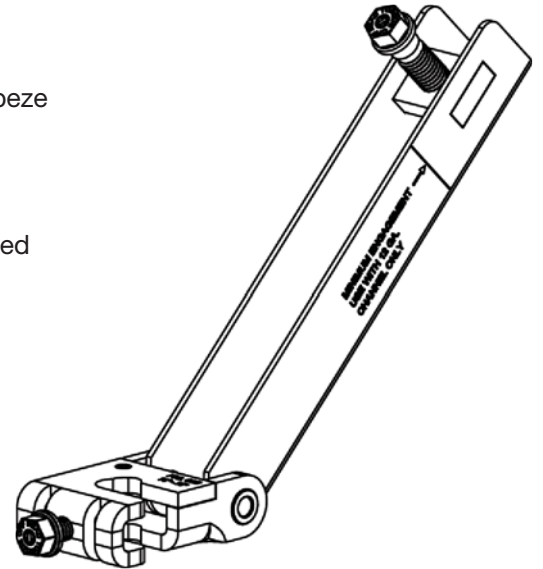


Fig. 985

Dimensions • Weights				
Rod Size	A	B	Max. Rec. Load Lbs.*	Approx Wt./100
3/8 thru 5/8	2	1-1/2	2015	204
3/4 thru 7/8	2	1-5/8	2015	198

* When used with 1-5/8" x 1-5/8" 12 gauge channel

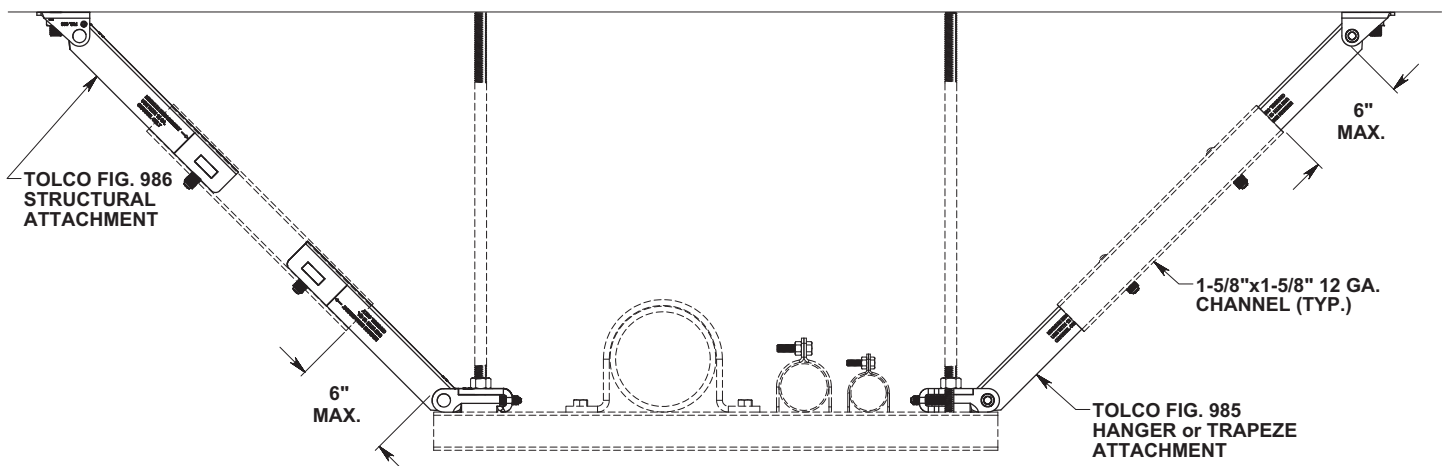
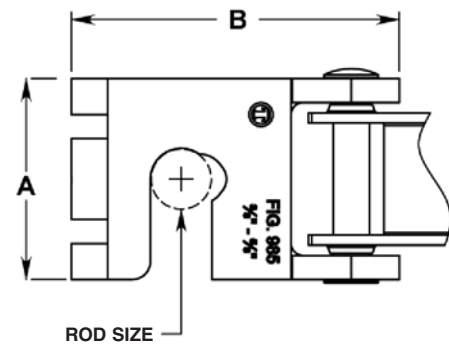


Fig. 986 - Mechanical Fast Clamp

Size Range — Standard 1/2" anchor available, for other sizes consult factory

Material — Carbon steel

Function — Used for attachment of seismic bracing to pipe hanger or trapeze

Features —

- Allows up to 12" of adjustability in brace length, when used with Fig. 985
- Break-off bolt heads visually verify required installation torque
- Swivel allows adjustment to various surface angles

Finish — Electro-galvanized

Order By — Figure number, rod size & finish

PATENT PENDING

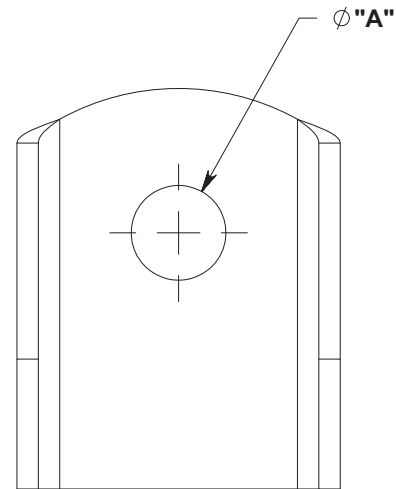
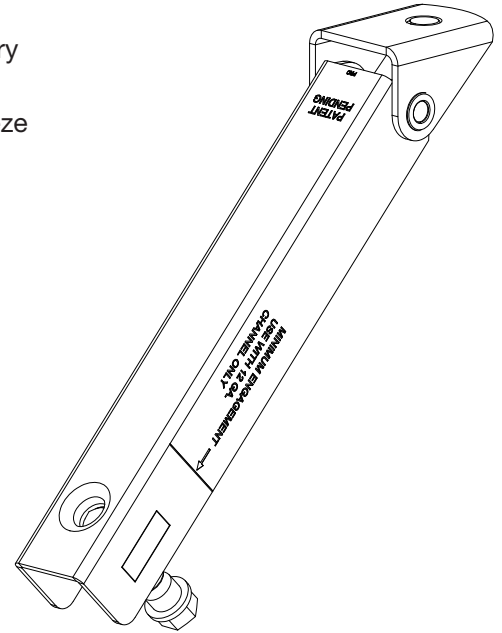


Fig. 986

Dimensions • Weights			
Rod Size	A	Max. Rec. Load Lbs.*	Approx Wt./100
1/2	9/16"	2015	204

* When used with 1-5/8" x 1-5/8" 12 gauge channel

