

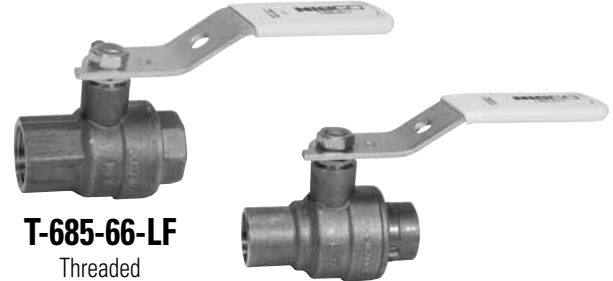
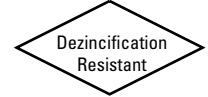
Lead-Free* Ball Valves

Two-Piece Body • Full Port • Blowout-Proof Stem • PTFE Seats •
Stainless Trim • Conforms to MSS SP-110 • NSF-61-G (C. Hot 180° F)

Size Range: 1/4" - 2"

Pressure Rating: 600 PSI CWP

NIBCO® Ball Valves are specifically designed for use in applications that deliver water for human consumption; this includes commercial as well as residential construction, as per the requirement of Section 116875 of the California Health & Safety Code and the Vermont Act 193.

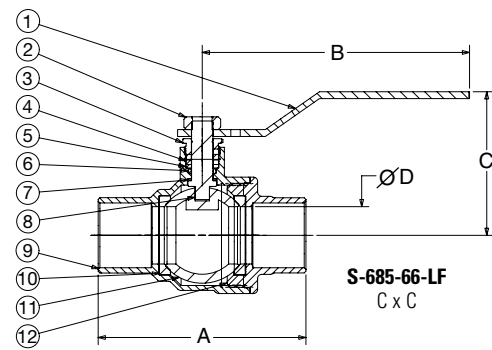
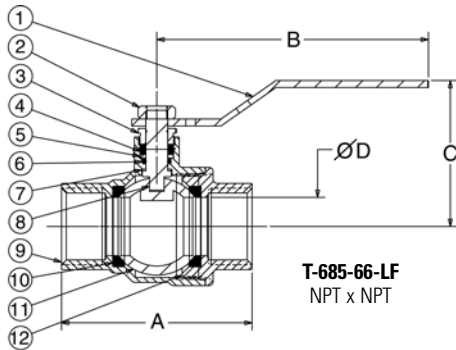


T-685-66-LF
Threaded

S-685-66-LF
Solder

MATERIAL LIST

PART	SPECIFICATION
1. Handle	Steel, Plated
2. Nut, Handle	Steel, Plated
3. Pack Gland	Brass ASTM B 16 Alloy C36000
4. Packing, Stem	Virgin PTFE
5. Washer, Flat	Stainless Steel ASTM A 240 Alloy S43000
6. O-Ring (Stem Seal)	EPDM
7. Washer, Thrust	Reinforced PTFE
8. Stem	Stainless Steel ASTM A276 Type 316
9. Body	ASTM B283 Alloy C69300
10. Seat Ring	Virgin PTFE
11. Ball	Stainless Steel ASTM A276 Type 316 or ASTM A351 Type CF8M
12. End Piece	ASTM B283 Alloy C69300



DIMENSIONS—WEIGHTS—QUANTITIES

Dimensions																
Size	T-685-66-LF		S-685-66-LF		Port				T-685-66-LF		S-685-66-LF		Master Ctn. Qty.			
	In.	mm.	In.	mm.	A	B	C	D	In.	mm.	Lbs.	Kg.		Lbs.	Kg.	
1/4	6	1.98	50	2.02	51	3.90	99	1.95	49	0.31	8	0.52	0.24	0.50	0.23	24
3/8	10	1.98	50	2.02	51	3.90	99	1.95	49	0.38	10	0.49	0.22	0.46	0.21	24
1/2	13	2.22	56	2.16	55	3.90	99	1.95	50	0.50	13	0.47	0.21	0.46	0.21	80
3/4	19	2.66	68	2.94	75	4.66	118	2.30	58	0.75	19	0.70	0.32	0.69	0.31	60
1	25	3.27	83	3.62	92	4.66	118	2.50	64	1.00	25	1.10	0.50	1.12	0.51	40
1¼	32	3.56	90	3.97	101	6.69	170	3.07	78	1.25	32	1.69	0.77	1.66	0.75	4
1½	38	3.98	101	4.61	117	6.69	170	3.25	83	1.50	38	2.58	1.17	2.71	1.23	2
2	50	4.52	115	5.63	143	6.69	170	3.55	90	2.00	51	4.37	1.98	4.62	2.10	8

*Lead Free refers to the wetted surface of pipe, fittings and fixtures in potable water systems that have a weighted average lead content ≤ 0.25% Source: California Health & Safety Code (116875); Vermont Act 193.