



Fig. 98B Rod Stiffener with Break-off Bolt Head

APPLICATIONS

- Secures channel to hanger rod for vertical seismic bracing

FEATURES

- Component of State of California OSHPD Approved Seismic Restraints Systems
- Includes Break-off bolt head technology for visual verification proven in patented TOLCO® products
- Secures 3/8" through 7/8" hanger rod

MATERIALS & CONSTRUCTION

- Carbon steel - Electro-Galvanized

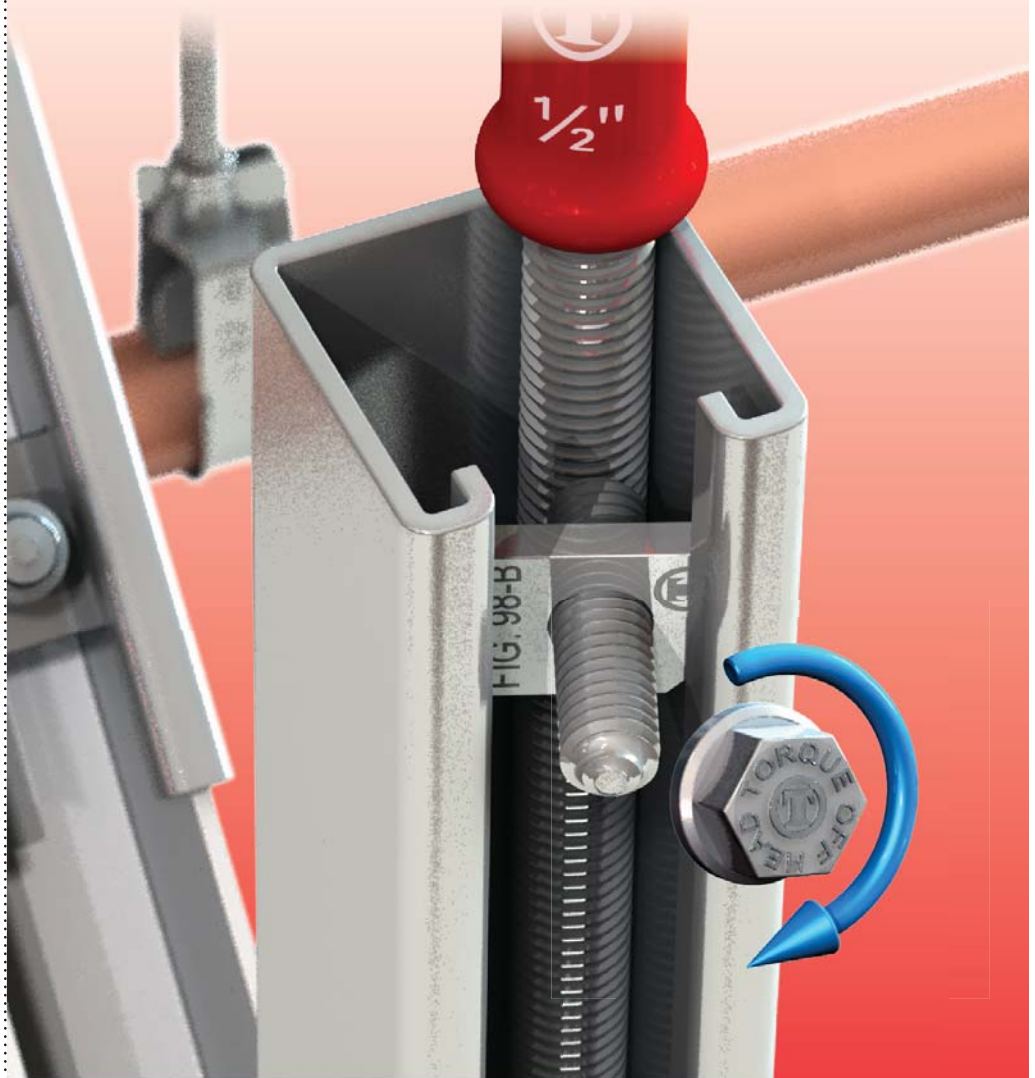


Fig. 98B - Rod Stiffener w/Break-off Bolt Head

Component of State of
California OSHPD Approved
Seismic Restraints System

Size Range — Secures 3/8" thru 7/8" hanger rod

Material — Carbon Steel

Function — Secures channel to hanger rod for vertical seismic bracing.

Approvals — Included in our Seismic Restraints Catalog approved by the State of California Office of Statewide Health Planning and Development (OSHPD). For additional load, spacing and placement information relating to OSHPD projects, please refer to the TOLCO Seismic Restraint Systems Guidelines

Finish — Electro Galvanized

Note — Available in HDG finish or Stainless Steel materials.

Order By — Figure number

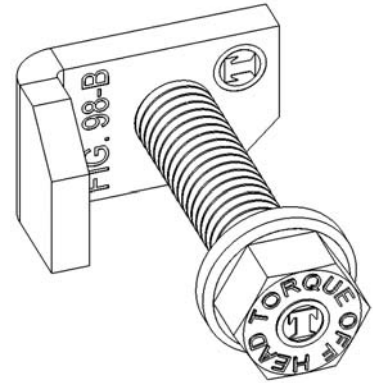


FIG. 98B

