

# Hose Reels, 9000 Series • Vehicle Exhaust Removal

## Spring Hose Reels



Spring Operated Hose Reel, with 5000 Series Exhaust Hose

## Motor Hose Reels



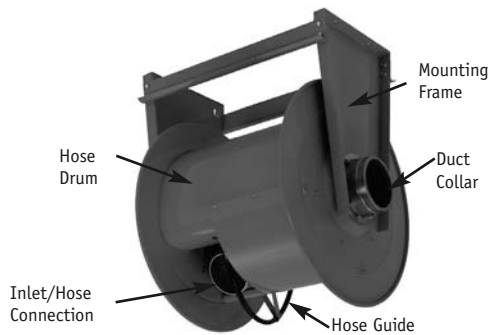
Motor Operated Hose Reel, with 4000 Series Exhaust Hose - Direct Drive Motor

### 9000, 9000-W SERIES

4-, 5-, 6-, 8-inch Diameter Hose

- Designed for manual extension and spring return of the flexible exhaust hose
- Manually uncoil hose to desired length and lock, when finished unlatch and hose recoils automatically

### Reel Breakdown: 9000, 9000-W



Model	Hose Dia.	Hose Capacity	Drum Dia.	Drum Width
9000	4", 5", 6"	25'	18"	20"
9000-W	4"	40'	25"	33"
9000-W	5", 6"	35'	25"	33"
9000-W	8"	24'	25"	39"

Note, Models above are standard. Models are shown with either 4000 or 5000 Series Hose and may be Spring Retractable or Motor Operated. Other hose options are available.



Motor Operated Hose Reel, with 4000 Series Exhaust Hose - Chain Drive Tube Type Motor (shown with hinged cover open)

### 9000-MTR, 9000-W-MTR SERIES

4-, 5-, 6-, 8-inch Diameter Hose

- Direct Drive Planetary Gear Motor or Chain Driven Tube Type Motor
- Direct Drive: 120-volt, 1-phase or 220-volt, 1-phase
- Tube Type: 120-volt, 1-phase
- Motor operated by spring rocker switch or by optional 2- or 4-button hanging pendant or radio remote control
- Reel equipped with manual override on motor