
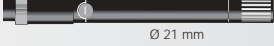
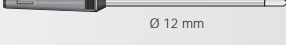

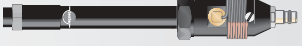


Humidity probes	Illustration	Meas. range	Accuracy	t <sub>99</sub>	Part no.
Standard ambient air probe up to +70°C		0 to +100 %RH -20 to +70 °C	±2 %RH (+2 to +98 %RH) ±0.4 °C (-10 to +50 °C) ±0.5 °C (remaining range)	12 s	0636 9740 Conn.: Plug-in head, connection cable 0430 0143 or 0430 0145 required
Highly accurate reference humidity/temp. probe incl. cal. cert.		0 to +100 %RH -20 to +70 °C	* ±1 %RH (+10 to +90 %RH) ±2 %RH (remaining range) ±0.4 °C (-10 to +50 °C) ±0.5 °C (remaining range)	12 s	0636 9741 Conn.: Plug-in head, connection cable 0430 0143 or 0430 0145 required
Robust humidity probe e.g. for measuring equilibrium moisture or for measurements in exhaust ducts to +120°C		0 to +100 %RH -20 to +120 °C	±2 %RH (+2 to +98 %RH) ±0.4 °C (-10 to +50 °C) ±0.5 °C (remaining range)	30 s	0636 2140 Conn.: Plug-in head, connection cable 0430 0143 or 0430 0145 required
aw value set: pressure-tight precision humidity probe with certificate, measurement chamber and 5 sample bowls (plastic)		0 to +1 aW 0 to +100 %RH -20 to +70 °C	* ±0.01 aW (+0.1 to +0.9 aW) ±0.02 aW (+0.9 to +1 aW) ±0.4 °C (-10 to +50 °C) ±0.5 °C (remaining range)		0628 0024 Reproducibility of aw value ±0.003
Precision pressure dew point probe for measurements in compressed air systems incl. cert. with test point -40°C tpd		0 to +100 %RH -60 to +50 °C tpd	±0.8 °C tpd (-4.9 to +50 °C tpd) ±1 °C tpd (-9.9 to -5 °C tpd) ±2 °C tpd (-19.9 to -10 °C tpd) ±3 °C tpd (-29.9 to -20 °C tpd) ±4 °C tpd (-40 to -30 °C tpd)	300 s	0636 9841 Conn.: Plug-in head, connection cable 0430 0143 or 0430 0145 required

Accessories Ordering data	Part no.
Cable, 1.5 m long, connects probe with plug-in head to meas. instrument, PUR coating material	0430 0143
Cable, 5 m long, connects probe with plug-in head to measuring instrument, PUR coating material	0430 0145
Control and humidity adjustment set 11.3%RH/75.3%RH incl. adapter for humidity probes, Quick checks or calibration of humidity probe	0554 0660
Control and storage humidity (33%RH) for humidity probes	0554 0636
Teflon sintered filter, Ø 21 mm, for corrosive substances, High humidity range (long-term measurements), high velocities	0554 0666
Teflon sintered filter, Ø 12 mm, for corrosive substances, High humidity range (long-term measurements), high velocities	0554 0756
Stainless steel sintered cap, Ø 21 mm, can be screwed onto humidity probe, Protection in case of high mechanical load and high velocities	0554 0640
Stainless steel sintered cap, Ø 12 mm, is screwed onto humidity probe, For measurements at high velocity speeds or in dirt ingressed air	0554 0647

You will find more information in the "Portable Reference Measurement Engineering" brochure and at [www.testo.com](http://www.testo.com).

\* in the temperature range from +10°C to +30°C

## Monitor ambient conditions – Flexible and robust

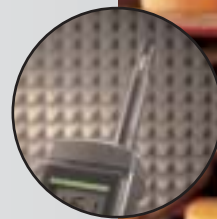
### testo 615 / 625

The compact thermohygrometer testo 615 with built-in probe measures ambient conditions e.g. in buildings, offices, warehouses etc. The testo 625 with a securely attached flexible humidity probe is ideal for measurements at difficult to access points and in air

conditioning ducts.

- Dewpoint calculation (td)
- Humidity sensor unaffected by water
- Accuracy adjustment can be carried out by the user

testo 615 with probe integrated in housing



Use testo 625 to monitor ambient conditions when cheese is maturing

testo 615
Humidity meter, with built-in humidity/temperature probe, battery and calibration protocol
Part no. 0560 6150

testo 625
Humidity meter, with securely attached humidity/temperature probe incl. 1 m probe cable, battery and calibration protocol
Part no. 0560 6250

Accessories Ordering data	Part no.
TopSafe (protection case) with bench stand, Protects instrument from impact and dirt	0516 0183
Case for instrument and probes, For safe and orderly storage	0516 0182
Control/adjustment containers (75.3%RH), for 1 point control and adjustment of instrument	0554 0638
ISO calibration certificate/Humidity, Electronic hygrometers: calibration points 11.3%RH and 75.3%RH at +25°C	0520 0006

Technical data	testo 625	testo 615
Meas. range	+5 to +95 %RH -10 to +60 °C -20 to +50 °C td	+5 to +95 %RH 0 to +50 °C -20 to +50 °C td
Accuracy ±1 digit	±3 %RH (+5 to +95 %RH) ±0.5 °C (-10 to +60 °C)	
Resolution	0.1 %RH (+5 to +95 %RH) 0.1 °C (-10 to +60 °C)	
Oper. temp.	0 to +50 °C	
Storage temp.	-20 to +70 °C	
Battery life	100 h	

