

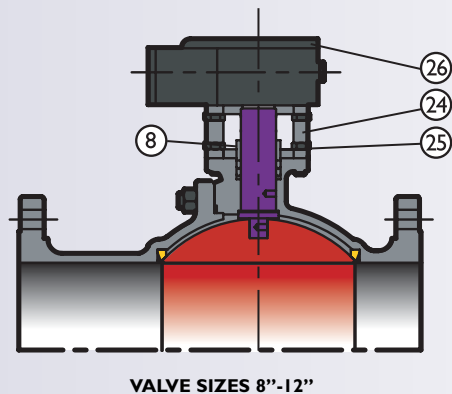
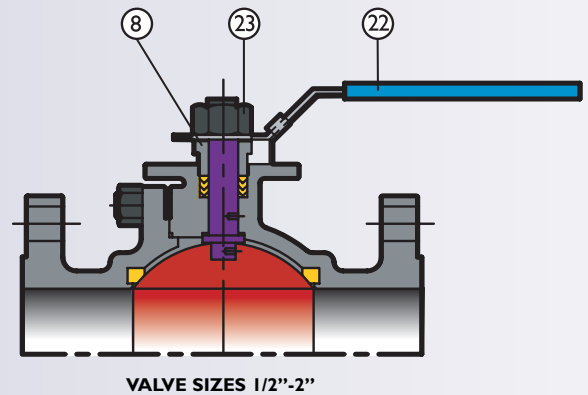
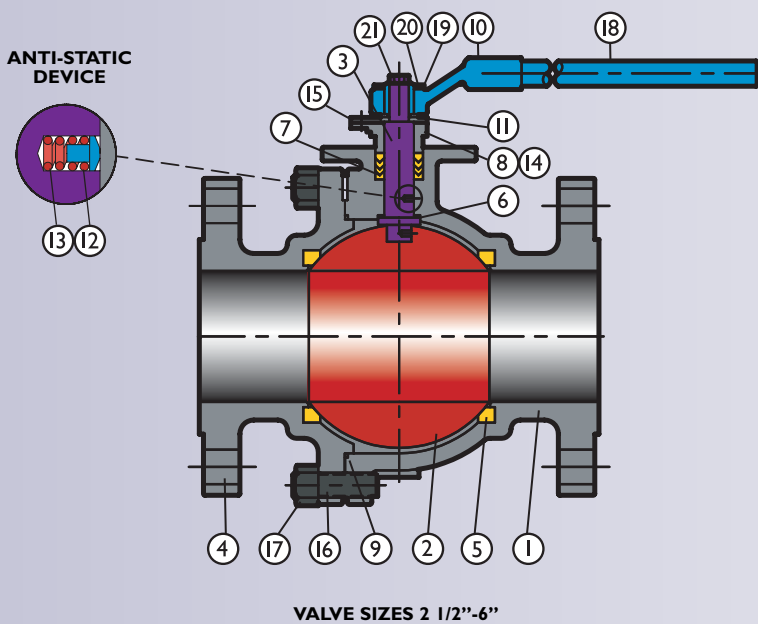
IFC SPLIT BODY FLANGED BALL VALVES

IFC SERIES 2FB150 – ANSI CLASS 150 LB (285 PSIG MAWP)
IFC SERIES 2FB300 – ANSI CLASS 300 LB (740 PSIG MAWP)



DESIGN FEATURES

- FULL PORT
- FLANGED ENDS TO ASME B16.5
- SPLIT BODY DESIGN
- POLYCARBON SEATS STANDARD ON CARBON STEEL BODY VALVES, RTFE SEATS STANDARD ON 316 SS BODY VALVES.
- STANDARD 316SS BALL
- BLOWOUT-PROOF STEM CONSTRUCTED FROM 316SS.
- ADJUSTABLE PACKING GLAND
- STANDARD LOCKING LEVER HANDLES
- ISO 5211 4 BOLT MOUNTING
- ASME B16.34 COMPLIANT
- API 608 COMPLIANT
- FIRE SAFE TO API 607 4TH EDITION AND ISO 10497
- NACE MR01-75 COMPLIANT
- BALL INCLUDES PRESSURE EQUALIZATION HOLE TO PREVENT TRAPPED PRESSURE IN BODY CAVITY.
- ANTI-STATIC DEVICE



IFC SPLIT BODY FLANGED BALL VALVES

IFC SERIES 2FB150 – ANSI CLASS 150 LB (285 PSIG MAWP)

IFC SERIES 2FB300 – ANSI CLASS 300 LB (740 PSIG MAWP)

PARTS LIST AND STANDARD MATERIALS

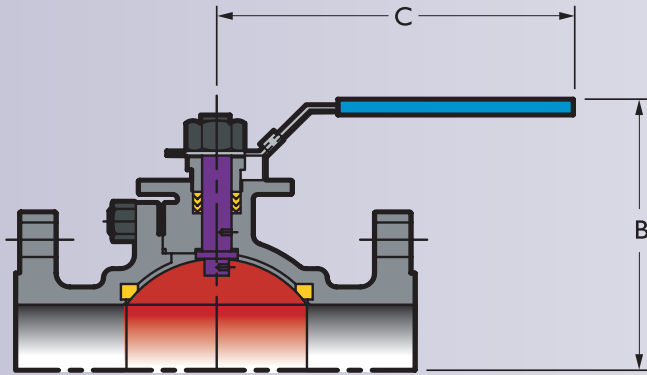
ITEM	DESCRIPTION	SPECIFICATIONS IFC Series 2FB150 & 2FB300		
		FLANGED END CARBON STEEL BODY	FLANGED END LOW TEMP - 50°F (-46°C) BODY	FLANGED END 316SS BODY
1	BODY	A216-WCB	A352-LCB/A352-LCC	A351-CF8M
2	BALL	A351-CF8M	A351-CF8M	A351-CF8M
3	STEM	316 SS	17-4 PH	316 SS
4	BODY CAP	A216-WCB	A352-LCB/A352-LCC	A351-CF8M
(1)	5 SEAT	POLYCARBON	POLYCARBON	RTFE
(1)	6 STEM SEAL	POLYCARBON	POLYCARBON	RTFE
(1)	7 STEM PACKING	GRAPHITE	GRAPHITE	GRAPHITE
8	GLAND	A216-WCB	A351-CF8M	A351-CF8M
(1)	9 BODY SEAL	304SS SPIRAL WOUND	304SS SPIRAL WOUND	304SS SPIRAL WOUND
10A	HANDLE	DUCTILE IRON	DUCTILE IRON	DUCTILE IRON
10B	HANDLE	304 SS	304 SS	304 SS
11	SNAP RING	SK7 CS	SK7 CS	SK7 CS
12	SPRING	304 SS	304 SS	304 SS
13	PLUNGER	316 SS	316 SS	316 SS
14	GLAND BOLT	304 SS	304 SS	304 SS
15	STOPPER	304 SS	304 SS	304 SS
16	STUDS BOLT	A193-B7	A193-B7M	A193-B8-1
17	NUT	A194-2H	A194-2HM	A194-8
18	PIPE	A53	A53	A53
19	CASTING PIPE	304 SS	304 SS	304 SS
20	SHAKEPROOF WASHER	304 SS	304 SS	304 SS
21	BOLT	304 SS	304 SS	304 SS
22	LOCK NUT	304 SS	304 SS	304 SS
(2)	23 BRACKET	A216-WCB	A351-CF8M	A351-CF8M
(2)	24 BRACKET NUT	304 SS	304 SS	304 SS
(2)	25 GEAR ACTUATOR	DUCTILE IRON	DUCTILE IRON	DUCTILE IRON

NOTES

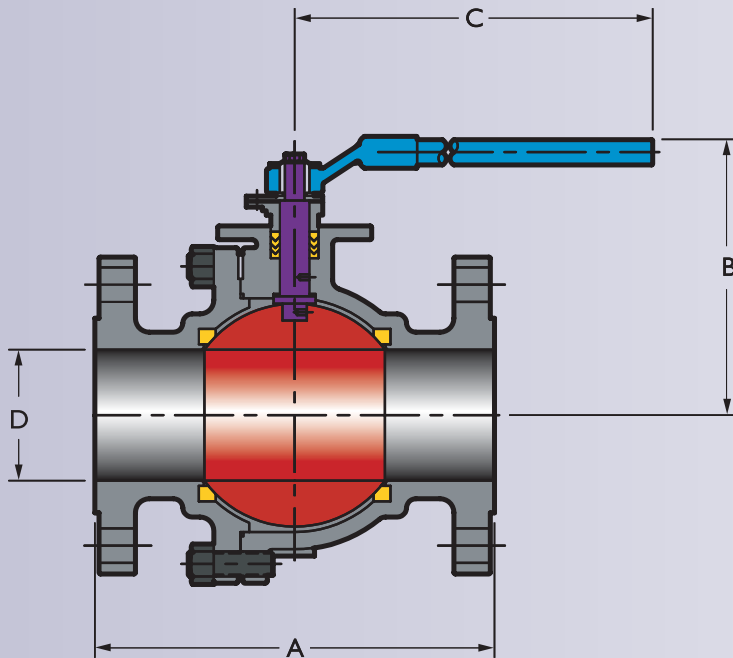
1. Standard items included in repair kit.
2. Only applies to Gear Operated Valves.
3. Fire safe trim offered as standard whenever possible. Consult IFC sales department for fire safe trim.
4. Valve materials meet the requirements of NACE MR01-75.
5. Other seat and seal materials available. See page 24.

IFC SPLIT BODY FLANGED BALL VALVES

IFC SERIES 2FB150 – ANSI CLASS 150 LB (285 PSIG MAWP)
IFC SERIES 2FB300 – ANSI CLASS 300 LB (740 PSIG MAWP)



VALVE SIZES 1/2"-2"



VALVE SIZES 2 1/2"-6"

UPPER PRESSURE LIMITS (NON-SHOCK)

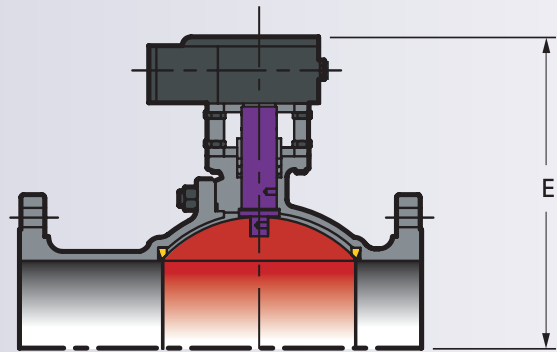
IFC SERIES	BODY MATERIAL	M.A.W.P. PSIG (BARS)
2FB150FCSC/L/G	A216-WCB	285 (19.65)
2FB150FSSRL/G	A351-CF8M	275 (18.96)
2FB300FCSC/L/G	A216-WCB	740 (51.02)
2FB300FSSRL/G	A351-CF8M	720 (49.64)

UPPER TEMPERATURE LIMITS

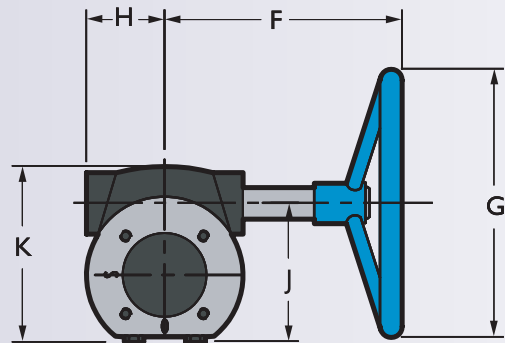
SEAL MATERIAL	UPPER LIMITS °F (°C)
PTFE	450° (232°)
PolyCarbon	500° (260°)

LOWER TEMPERATURE LIMITS

BODY MATERIAL	LOWER LIMIT °F (°C)
A216-WCB	- 20° (-28.9°)
A351-CF8M	- 20° (-28.9°)



VALVE SIZES 8"-12"



VALVE SIZES 8"-12"

IFC SPLIT BODY FLANGED BALL VALVES

IFC SERIES 2FB150 – ANSI CLASS 150 LB (285 PSIG MAWP)

IFC SERIES 2FB300 – ANSI CLASS 300 LB (740 PSIG MAWP)

IFC SERIES 2FB150 (285 PSIG) AND IFC SERIES 2FB300 (740 PSIG)

SIZE In/mm	A in/mm		B in/mm		C in/mm	D in/mm	Weight Lb./Kg.		Torque In-Lbs./N-M		CV
	Class	150 Lb.	300 Lb.	150 Lb.			300 Lb.	150 Lb.	300 Lb.	150 Lb.	
1/2	4.25	5.50	2.64	2.97	5.16	0.56	3.56	4.85	100	100	27
15	108	140	67	75	131	14	1.62	2.20			
3/4	4.63	6.00	3.15	3.01	7.00	0.81	4.83	7.94	150	150	50
20	118	152	80	76	178	21	2.20	3.61			
1	5.00	6.50	3.35	3.35	7.80	0.98	6.88	10.25	250	250	95
25	127	165	85	85	198	25	3.13	4.66			
1-1/2	6.50	7.50	4.49	4.50	10.04	1.50	13.40	18.94	400	400	280
40	165	191	114	114	255	38	6.09	8.61			
2	7.00	8.50	4.80	4.80	10.04	1.97	19.49	23.99	500	500	490
50	178	216	122	122	255	50	8.86	10.90			
2-1/2	7.50	N/A	6.42	N/A	15.75	2.56	30.58	N/A	750	750	545
65	191		163		400	65	13.90				
3	8.00	11.13	6.73	6.75	15.75	3.00	41.34	55.41	1200	1500	1160
80	203	283	171	171	400	76	18.79	25.19			
4	9.00	12.00	7.95	7.95	17.10	3.94	69.02	89.28	1600	1900	2200
100	229	305	202	202	434	100	31.37	40.58			
6	15.50	15.88	10.63	10.63	24.00	6.00	153.49	195.39	3000	3100	5100
150	394	403	270	270	610	152	69.77	88.81			
8	18.00	19.75	14.49	14.50	N/A	7.87	250.00	250.00	8500	12000	9300
200	457	502	368	368		200	113.64	113.64			
10	21.00	N/A	17.56	N/A	N/A	10.00	350.00	N/A	9600	N/A	16000
250	533		446			254	159.09				
12	24.00	N/A	19.33	N/A	N/A	12.00	550.00	N/A	15000	N/A	22300
300	610		491			305	250.00				

VALVE GEAR OPERATOR DIMENSIONS

SIZE In/mm	E in/mm	F in/mm		G in/mm	H in/mm	J in/mm	K in/mm
		150 Lb.	300 Lb.				
8	14.50	9.38	9.00	12.13	14.50	10.19	8.00
200	368	238	229	308	368	259	203
10	19.75	13.25	13.38	19.88	19.75	14.63	11.44
250	502	337	340	505	502	372	291
12	19.75	13.25	13.38	19.88	19.75	14.63	11.44
300	502	337	340	505	502	372	291

NOTES

1. See page 22 and 23 for actuator and top works dimensions.
2. For Pressure-Temperature ratings see page 26.
3. Valve Torque information is provided on page 28.
4. See page 29 for sample actuator calculations.
5. "How to Order" can be found on page 32.