



VIDEO FURNITURE INTERNATIONAL

Furniture Designs That Communicate.

PM-S-FL, Plasma/LCD Stand



Model **PM-S-FL** For Most 32-50" TV's Plasma/LCD floor Stand

VFI's moveable mounts for plasma and LCD flat panel monitors. The PMS-FL mount for single monitors is a self supporting, wheeled stand with adjustable 6 position shelf for DVD players, cable or satellite receiver, videoconference codecs or audio amplifier.

This mount accommodates most 32" to 50"+ monitors.

Width- 30 7/8" or TV width if greater.

Depth- 26 3/4"

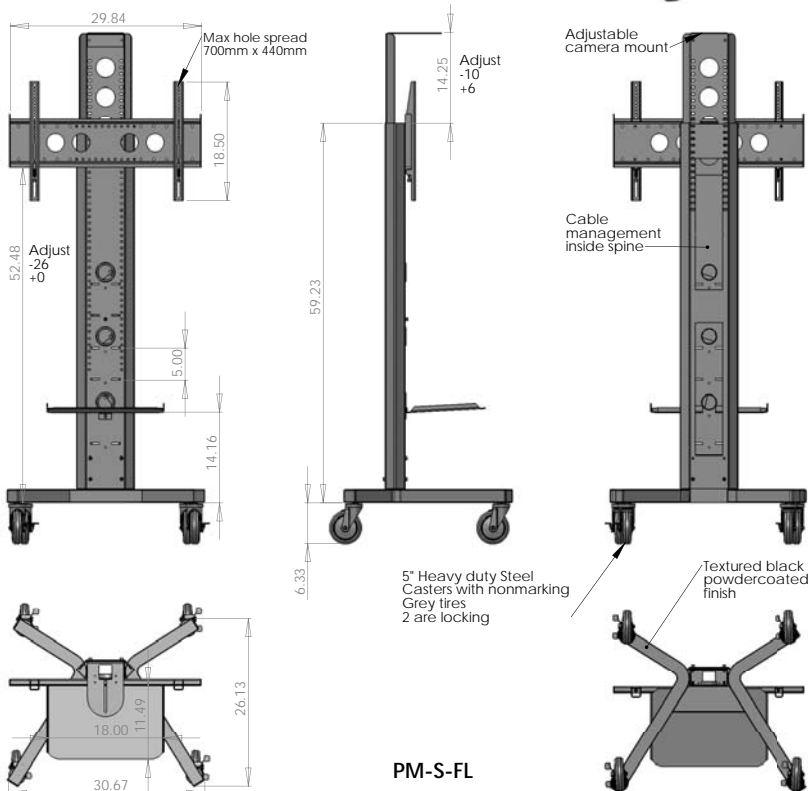
Height- 62-75" adjustable at setup

Standard Features Include:

- Sturdy 11 Ga steel construction
- Heavy duty tubular steel base
- Accommodates most 32" - 50"+ flat panel TV's
- Height of display adjustable during setup.
- Interior hidden wiring channel
- Heavy duty fastening hardware included
- 1 shelf 18"w x 11.5"d
- Adjustable Camera mount.
- Steel 5" Casters w non-marking tire ,2 locking
- Black powder coat finish

Options

- **SH-PM** Additional Shelves (up to 6 total)
- **BKT-KIT** Bracket for rear or below main TV
- **LB3** Lockbox for Codecs/Electronics
- **PM-CMP** Top mounted codec plate
- **PM-HDCB** HD codec mount
- **PM-CAM** For mounting Camera below TV
- **PM-HD-EXP** Lifesize Express/200 bracket
- **PM-PB** Mounted six outlet power bar with 10 ft cord
- **LCD1222** Monitor/touchscreen controller bracket
- **FEET** Adjustable height feet for Non-mobile installs



PM-S-FL

VFI can build or modify stock configurations to suit customer specifications. Please contact us to discuss how this service can help meet your needs. Some quantity restrictions may apply.

* Specification subject to change without notice.

* Computers, cameras, monitors, etc. are shown to illustrate product usage and are not included unless otherwise noted.

190 Don Hillock Drive . Aurora . Ontario . L4G 0G9

Tel: (905) 751-1459 Toll Free: (877) 834-3876 Fax: (905) 751-1488

sales@video-furn.com

www.video-furn.com