



# VIDEO FURNITURE INTERNATIONAL

Furniture Designs That Communicate.

## Package K MC1000 with MC-D



## Package K MC1000 cart with MC-D mount.

Package K, comprised of the MC1000 cart and the MC-D plasma/LCD mount are the ideal combination when mobility and durability are mandated. This pair perfectly lends itself to most educational teaching, business, military, courtroom and corporate training environments.

MC1000 metal cart offers perforated side panels for fanless ventilation and a wide wheel base provides safety for heavy or oversized monitors. The rear panel allows wiring access to your equipment.

MC-D mount accommodates 42-58" flatscreens. It also features an adjustable camera/codec shelf.

### Standard Features Include:

#### MC1000 cart

- Locking front Tinted Acrylic door
- Rear removeable access panel
- Premium 5" ballbearing casters, Front two lock.
- Vented perforated sides
- Built in handles for easy maneuvering
- Welded steel construction.
- 14RU adjustable depth rackrails

#### MC-D mount

- Sturdy 11 ga steel, Powder coated texture black.
- Wiring channel inside main pillar.
- Adjustable TV and Camera height during setup.
- Accomodates 42-58" TV's
- Tilt adjustment during setup.

#### Options

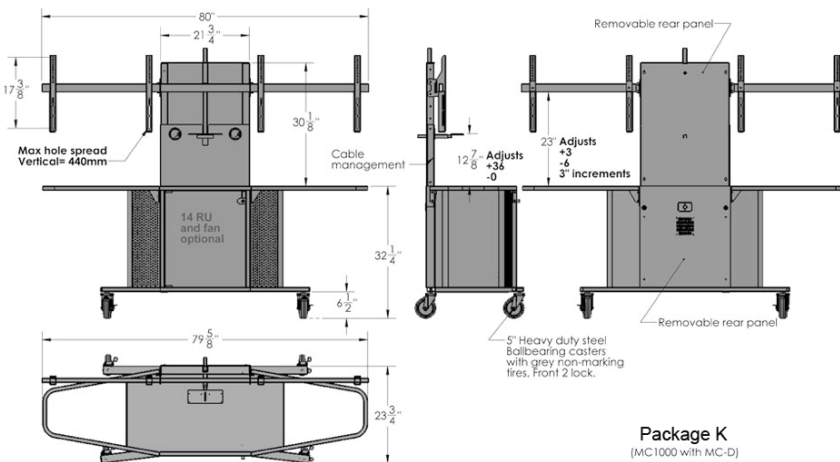
##### MC1000 cart

- Rack Accessories, TOA Amp.
- Powerbar with 10ft cord, Quiet fan.
- SBB (soundbar bracket)

##### MC-D mount

- Longer/Shorter Tube for bigger or smaller TV's

### Package K =



### Specifications:

BLACK

| Package | WIDTH | DEPTH   | HEIGHT |
|---------|-------|---------|--------|
| K       | 80+"  | 23 3/4" | 64-75" |

VFI can build or modify stock configurations to suit customer specifications. Please contact us to discuss how this service can help meet your needs. Some quantity restrictions may apply.

\* Specification subject to change without notice.

\* Computers, cameras, monitors, etc. are shown to illustrate product usage and are not included unless otherwise noted.

190 Don Hillock Drive . Aurora . Ontario . L4G 0G9

Tel: (905) 751-1459 Toll Free: (877) 834-3876 Fax: (905) 751-1488

sales@video-furn.com

www.video-furn.com