



VIDEO FURNITURE INTERNATIONAL

Furniture Designs That Communicate.

TVCB, TV Camera Bracket



TVCB

Model TVCB

Camera bracket for fixed installs

Need to attach a camera to a wall mounted or freestanding TV?

Now you can with VFI's TVCB bracket.

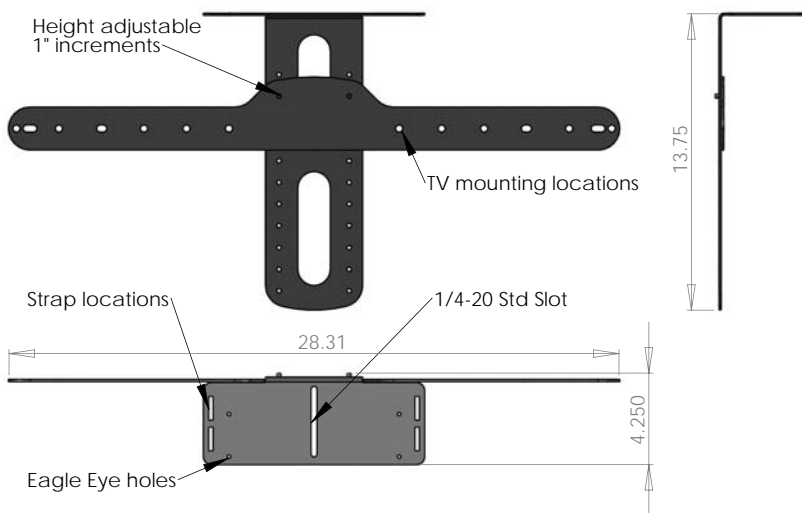
TVCB features adjustable camera height for different size TV's from 32-50"+plus.

Standard Features Include:

- Sturdy 11 Ga steel construction
- Accommodates most 32" - 50" flat panel monitors
- Designed for tabletop with base or wall mounted TV's
- Fits most cameras including wide HD cams (Eagle Eye)
- Camera height adjustable for different TV sizes
- Fastening hardware included
- Black powder coated finish

Options

- Six outlet power bar with 10ft cord
- CS-Wall mount camera or codec shelf
- CR2663 Wide Credenza
- CR2050 Credenza



TVCB WALLMOUNTED

Wallmount is not included.

VFI can build or modify stock configurations to suit customer specifications. Please contact us to discuss how this service can help meet your needs. Some quantity restrictions may apply.

* Specification subject to change without notice.

* Computers, cameras, monitors, etc. are shown to illustrate product usage and are not included unless otherwise noted.

190 Don Hillock Drive . Aurora . Ontario . L4G 0G9

Tel: (905) 751-1459 Toll Free: (877) 834-3876 Fax: (905) 751-1488

sales@video-furn.com

www.video-furn.com