

FLANGED FITTINGS

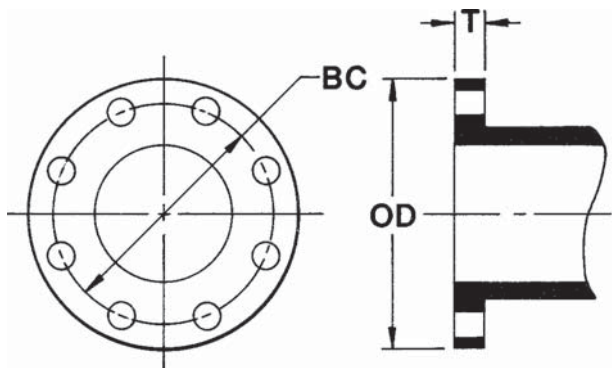
OUR KNOWLEDGE SETS US APART

Elbows • Tees • Crosses • Wyes • Reducers • Flanges • Converters • Gaskets • Nuts & Bolts

Flange Details - Class 125	2
Designation of Outlets	2
IFC Brand Fittings	2
Elbows	3
90° Reducing Elbow	3
90° Long Radius Elbow	4
90° Base Elbow	4
Side Outlet 90° Elbow	4
Side Outlet Tee	4
Tees & Crosses	5
Reducing Tee	5
Bullhead Tee	6
True Wyes	6
Lateral Wyes	6
Concentric & Eccentric Reducers	7
Standard Companion Flange (Cast Iron)	8
Reducing Companion Flange (Cast Iron)	8
Redi-Flange™	9
Compact Flange Reducer (Class 125/150 Flanges)	10
Blind Flanges	11
Flange Converters	11
Ductile Iron Flanged Pipes	12
Flange Spigot	12
Seal-Tite Flange Gasket	13
Flat Flange Gasket	13
Flange Accessory Packs (Class 125/250 Flanges)	14
Heavy Hex Bolts and Nuts for Flanges to B16.1-125#, B16.5-150#	15
Packaged Bolt & Nut Packs	15
Stainless Steel Hex Bolts and Nuts for Flanges to B16.1-125#, B16.5-150# SS 304 and SS 316	16
Packaged Bolt & Nut Packs	16
Stud Bolts & Nuts	17
Packaged Flange Stud Bolt Packs for use with Class 125/150 Flange Pipe	17
Flange Details (Class 250)	18
Elbows	18
90° Reducing Elbow	18
Tees	18
Reducing Tees	18
Reducers (Concentric/Eccentric)	19
Blind Flanges	19
Threaded Flanges	19
Limited Warranty & Contact Information	20

Notes: The material in this catalogue is for general information. For specific performance data and proper material selection, consult factory or your IFC representative. Although every attempt has been made to ensure that the information contained in this catalogue is correct IFC Inc. reserves the right to change designs, materials and/or specifications without notice.

FLANGE DETAILS - Class 125

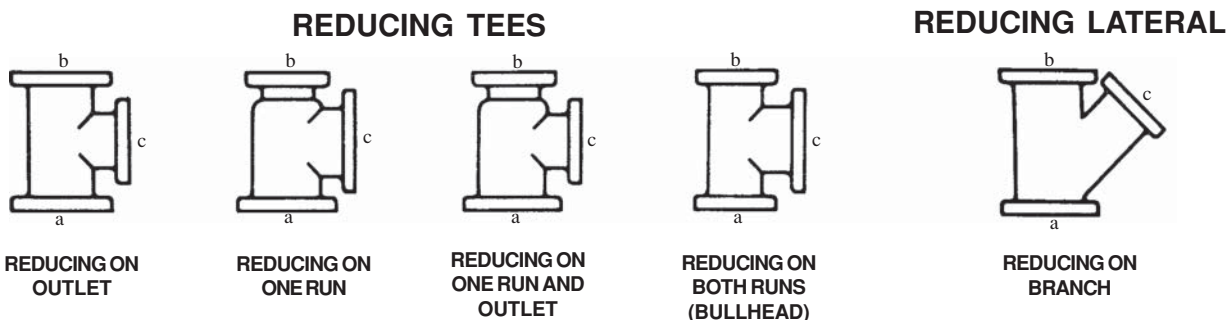


Size	O.D.	B.C.	T	Bolt Hole Dia.	Bolt Dia. & Length	No. of Bolts
2	6.00	4.75	5/8	3/4	5/8 x 2-1/2	4
2-1/2	7.00	5.50	11/16	3/4	5/8 x 2-1/2	4
3	7.50	6.00	3/4	3/4	5/8 x 2-1/2	4
4	9.00	7.50	15/16	3/4	5/8 x 3	8
5	10.00	8.50	15/16	7/8	3/4 x 3-1/2	8
6	11.00	9.50	1	7/8	3/4 x 3-1/2	8
8	13.50	11.75	1-1/8	7/8	3/4 x 3-1/2	8
10	16.00	14.25	1-3/16	1	7/8 x 4	12
12	19.00	17.00	1-1/4	1	7/8 x 4	12
14	21.00	18.75	1/3/8	1-1/8	1 x 4-1/2	12
16	23.50	21.25	1-7/16	1-1/8	1 x 4-1/2	16
18	25.00	22.75	1-9/16	1-1/4	1-1/8 x 5	16
20	27.50	25.00	1-11/16	1-1/4	1-1/8 x 5	20
24	32.00	29.50	1-7/8	1-3/8	1-1/4 x 5-1/2	20

All dimensional data in inches and lbs.

DESIGNATION of OUTLETS

In accordance with ANSI B16.1



The largest opening establishes the basic size of a reducing fitting. The largest opening is named first, except for bullhead tees, which are reducing on both runs, and for double branch elbows where both branches are reducing. The outlet is the largest opening and named last in both cases.

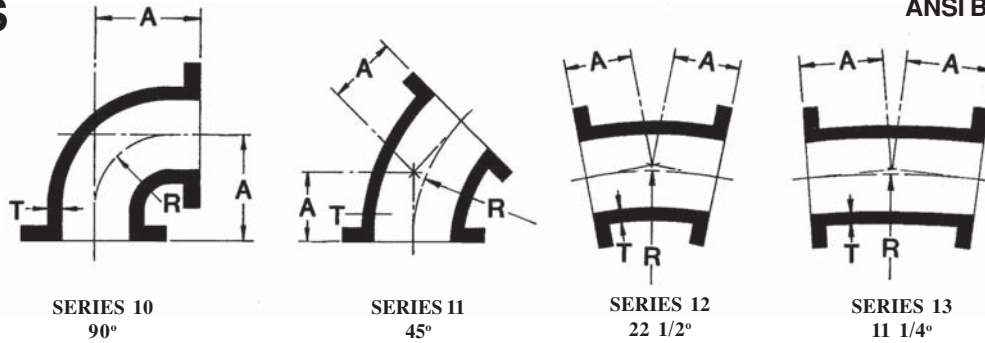
In designating the openings of reducing fittings, they should be read in the order indicated by the sequence of the letters a, b, c.

IFC FITTINGS

Our dedication to the mechanical piping industry has given us the opportunity to provide you with a quality line of flanged fittings exceeding the competition. Manufactured from high strength grey cast iron and ductile iron, our Flanged Fittings Series are available in 1" - 48" sizes in a variety of elbows, tees, crosses, laterals, reducers, and blind flanges. All are manufactured in accordance with ANSI B16.1, and all are available with special rust inhibitive primers and epoxy coatings.

ELBOWS

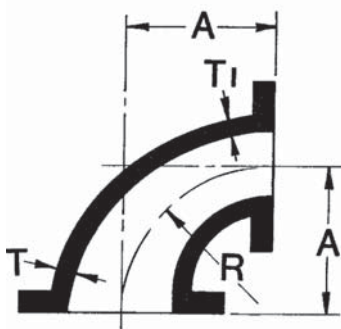
ANSI B16.1 Class 125



Size	90° Elbow				45° Elbow				22 1/2° Elbow				11 1/4° Elbow				T
	Part No.	A	R	Wgt.	Part No.	A	R	Wgt.	Part No.	A	R	Wgt.	Part No.	A	R	Wgt.	
2	10F-0202-D	4.5	3.0	14	11F-0202-D	2.5	2.4	12	-	-	-	-	-	-	-	-	.31
2-1/2	10F-025025-D	5.0	3.5	19	11F-025025-D	3.0	3.6	17	-	-	-	-	-	-	-	-	.31
3	10F-0303-D	5.5	4.0	25	11F-0303-D	3.0	3.6	20	12F-0303-D	3.0	7.6	20	13F-0303-D	3.0	15.25	20	.38
4	10F-0404-D	6.5	4.5	45	11F-0404-D	4.0	4.8	40	12F-0404-D	4.0	10.06	40	13F-0404-D	4.0	20.31	40	.50
5	10F-0505-D	7.5	5.5	52	11F-0505-D	4.5	6.0	45	-	-	-	-	-	-	-	-	.50
6	10F-0606-D	8.0	6.0	65	11F-0606-D	5.0	7.3	55	12F-0606-D	5.0	15.06	55	13F-0606-D	5.0	30.50	55	.56
8	10F-0808-D	9.0	7.0	105	11F-0808-D	5.5	8.4	90	12F-0808-D	5.5	17.62	90	13F-0808-D	5.5	35.50	90	.62
10	10F-1010-D	11.0	9.0	165	11F-1010-D	6.5	10.9	130	12F-1010-D	6.5	22.62	135	13F-1010-D	6.5	45.69	135	.75
12	10F-1212-D	12.0	10.0	235	11F-1212-D	7.5	13.3	195	12F-1212-D	7.5	27.62	205	13F-1212-D	7.5	55.81	205	.81
14	10F-1414-D	14.0	11.5	290	11F-1414-D	7.5	12.06	220	-	-	-	-	-	-	-	-	.66
16	10F-1616-D	15.0	12.5	370	11F-1616-D	8.0	13.25	280	-	-	-	-	-	-	-	-	.70
18	10F-1818-D	16.5	14.0	450	11F-1818-D	8.5	14.50	325	-	-	-	-	-	-	-	-	.75
20	10F-2020-D	18.0	15.5	580	11F-2020-D	9.5	16.88	430	-	-	-	-	-	-	-	-	.80
24	10F-2424-D	22.0	18.5	900	11F-2424-D	11.0	18.12	630	-	-	-	-	-	-	-	-	.89

90° REDUCING ELBOW

ANSI B16.1 Class 125

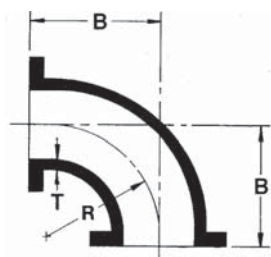


SERIES 10R

Size	Part No.	A	R	T	T1	Weight
3 x 2	10F-0302-D	5.5	4.0	.38	.31	19
3 x 2-1/2	10F-03025-D	5.5	4.0	.38	.31	22
4 x 2	10F-0402-D	6.5	4.0	.50	.31	29
4 x 2-1/2	10F-04025-D	6.5	4.0	.50	.31	31
4 x 3	10F-0403-D	6.5	4.5	.50	.38	33
5 x 3	10F-0503-D	7.5	5.0	.50	.50	44
5 x 4	10F-0504-D	7.5	5.0	.50	.50	48
6 x 3	10F-0603-D	8.0	6.0	.56	.38	45
6 x 4	10F-0604-D	8.0	6.0	.56	.50	55
6 x 5	10F-0605-D	8.0	6.0	.56	.50	65
8 x 4	10F-0804-D	9.0	7.0	.62	.50	75
8 x 5	10F-0805-D	9.0	7.0	.62	.56	80
8 x 6	10F-0806-D	9.0	7.0	.62	.56	85
10 x 4	10F-1004-D	11.0	9.0	.75	.50	110
10 x 6	10F-1006-D	11.0	9.0	.75	.56	135
10 x 8	10F-1008-D	11.0	9.0	.75	.62	150
12 x 4	10F-1204-D	12.0	10.0	.81	.50	140
12 x 6	10F-1206-D	12.0	10.0	.81	.56	160
12 x 8	10F-1208-D	12.0	10.0	.81	.62	180
12 x 10	10F-1210-D	12.0	10.0	.81	.75	210
14 x 10	10F-1410-D	14.0	11.5	.66	.68	240
14 x 12	10F-1412-D	14.0	11.5	.66	.75	270
16 x 10	10F-1610-D	15.0	12.5	.70	.68	285
16 x 12	10F-1612-D	15.0	12.5	.70	.75	310
16 x 14	10F-1614-D	15.0	12.5	.70	.66	330

Larger sizes thru 48" available upon request.

90° LONG RADIUS ELBOW



SERIES 15

Larger sizes thru 48" available upon request.

ANSI B16.1 Class 125

Size	Part No.	B	R	T	Weight
2	15F-0202-D	6.5	5.0	.31	16
2-1/2	15F-025025-D	7.0	5.5	.31	23
3	15F-0303-D	7.5	6.0	.38	28
4 x 3	15F-0403-D	9.0	7.0	.48	38
4	15F-0404-D	9.0	7.0	.50	48
6 x 4	15F-0604-D	11.5	9.5	.55	70
6	15F-0606-D	11.5	9.5	.56	85
8 x 6	15F-0806-D	14.0	12.0	.60	116
8	15F-0808-D	14.0	12.0	.62	145
10	15F-1010-D	16.5	14.0	.75	230
12	15F-1212-D	19.0	17.0	.81	350

90° BASE ELBOW



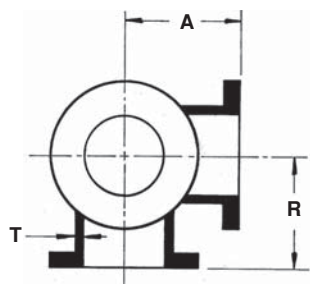
SERIES 16

Larger sizes thru 48" available upon request.

ANSI B16.1 Class 125

Size	Part No.	R	S (Dia.)	T	U	Weight
3	16F-0303-D	4.0	5.0	.28	.50	36
4	16F-0404-D	5.5	6.0	.62	.50	55
6	16F-0606-D	7.0	7.0	.69	.62	85
8	16F-0808-D	8.38	9.0	.94	.88	145
10	16F-1010-D	9.75	9.0	.94	.88	210
12	16F-1212-D	11.25	11.0	1.0	1.0	300
14	16F-1414-D	12.50	11.0	1.0	1.0	360
16	16F-1616-D	13.75	11.0	1.0	1.0	445

SIDE OUTLET 90° ELBOW



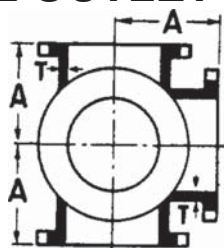
SERIES 18

Larger sizes thru 48" available upon request.

ANSI B16.1 Class 125

Size	Part No.	A	R	T	Weight
4	18F-0404-D	6.5	6.5	.50	60
6	18F-0606-D	8.0	8.0	.56	95
8	18F-0808-D	9.0	9.0	.62	150
10	18F-1010-D	11.0	11.0	.75	235
12	18F-1212-D	12.0	12.0	.81	335

SIDE OUTLET TEE



SERIES 19

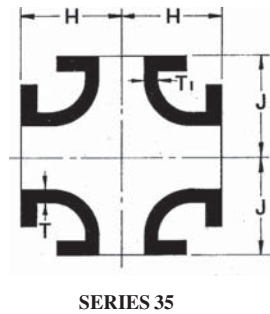
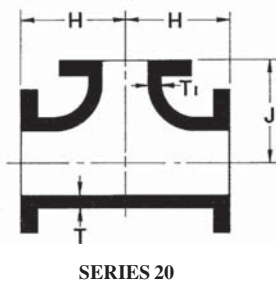
Larger sizes thru 48" available upon request.

ANSI B16.1 Class 125

Size	Part No.	A	T	Weight
4	19F-0404-D	6.5	.50	80
6	19F-0606-D	8.0	.56	135
8	19F-0808-D	9.0	.62	210
10	19F-1010-D	11.0	.75	330
12	19F-1212-D	12.0	.81	470

TEES & CROSSES

ANSI B16.1 Class 125

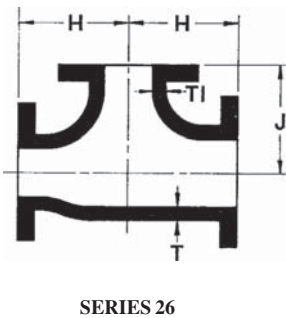


Size	Part No.		H	J	T	T1	Weight	
	Tee	Cross					Tee	Cross
2	20F-0202-D	35F-0202-D	4.5	4.5	.31	.31	20	30
2-1/2	20F-025025-D	35F-025025-D	5.0	5.0	.31	.31	30	39
3 x 2	20F-0302-D	-	5.5	5.5	.38	.31	35	-
3 x 2-1/2	20F-03025-D	-	5.5	5.5	.38	.31	38	-
3	20F-0303-D	35F-0303-D	5.5	5.5	.38	.31	40	50
4 x 2	20F-0402-D	-	6.5	6.5	.50	.31	50	-
4 x 2-1/2	20F-04025-D	-	6.5	6.5	.50	.31	55	-
4 x 3	20F-0403-D	-	6.5	6.5	.50	.38	60	-
4	20F-0404-D	35F-0404-D	6.5	6.5	.50	.50	65	80
5	20F-0505-D	35F-0505-D	7.5	7.5	.50	.50	85	105
6 x 2	20F-0602-D	-	8.0	8.0	.56	.31	86	-
6 x 3	20F-0603-D	-	8.0	8.0	.56	.38	85	-
6 x 4	20F-0604-D	35F-0604-D	8.0	8.0	.56	.50	90	110
6 x 5	20F-0605-D	-	8.0	8.0	.56	.53	92	-
6	20F-0606-D	35F-0606-D	8.0	8.0	.56	.56	95	120
8 x 3	29F-0803-D	-	9.0	9.0	.62	.38	140	-
8 x 4	20F-0804-D	-	9.0	9.0	.62	.50	140	-
8 x 6	20F-0806-D	35F-0806-D	9.0	9.0	.62	.56	145	165
8	20F-0808-D	35F-0808-D	9.0	9.0	.62	.62	155	195
10 x 3	20F-1003-D	-	11.0	11.0	.75	.38	200	-
10 x 4	20F-1004-D	-	11.0	11.0	.75	.50	205	-
10 x 6	20F-1006-D	-	11.0	11.0	.75	.56	215	-
10 x 8	20F-1008-D	-	11.0	11.0	.75	.62	225	-
10	20F-1010-D	35F-1010-D	11.0	11.0	.75	.75	270	330
12 x 4	20F-1204-D	-	12.0	12.0	.81	.50	290	-
12 x 6	20F-1206-D	-	12.0	12.0	.81	.56	295	-
12 x 8	20F-1208-D	-	12.0	12.0	.81	.62	310	-
12 x 10	20F-1210-D	-	12.0	12.0	.81	.75	360	-
12	20F-1212-D	35F-1212-D	12.0	12.0	.81	.81	385	460
14	20F-1414-D	35F-1414-D	14.0	14.0	.66	.66	435	595
16	20F-1616-D	35F-1616-D	15.0	15.0	.70	.70	550	755
18	20F-1818-D	35F-1818-D	16.5	16.5	.75	.75	665	915
20	20F-2020-D	35F-2020-D	18.0	18.0	.80	.80	855	1175
24	20F-2424-D	35F-2424-D	22.0	22.0	.89	.89	1330	1850

Larger sizes thru 24" available upon request.

REDUCING TEE (on Run and/or Branch)

ANSI B16.1 Class 125

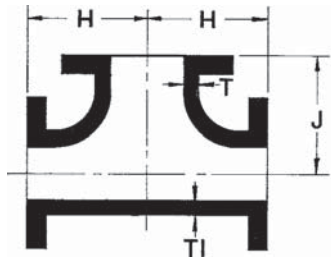


Size	Part No.	H	J	T	T1	Weight
4 x 3 x 4	26F-0434-D	6.5	6.5	.50	.38	59
6 x 4 x 4	26F-0644-D	8.0	8.0	.56	.50	90
6 x 4 x 6	26F-0646-D	8.0	8.0	.56	.50	95
8 x 4 x 8	26F-0848-D	9.0	9.0	.62	.50	146
8 x 6 x 4	26F-0864-D	9.0	9.0	.62	.56	125
8 x 6 x 6	26F-0866-D	9.0	9.0	.62	.56	145
8 x 6 x 8	26F-0868-D	9.0	9.0	.62	.56	160
10 x 8 x 8	26F-1088-D	11.0	11.0	.75	.62	232
10 x 8 x 10	26F-10810-D	11.0	11.0	.75	.62	262
12 x 8 x 8	26F-1288-D	12.0	12.0	.81	.62	298
12 x 10 x 10	26F-121010-D	12.0	12.0	.81	.75	340
12 x 10 x 12	26F-121012-D	12.0	12.0	.81	.75	365

Larger sizes thru 48" available upon request.

BULLHEAD TEE

ANSI B16.1 Class 125



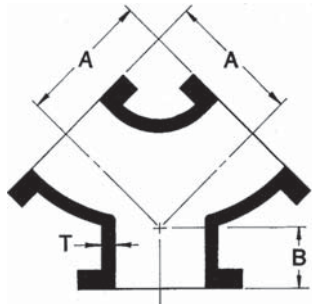
SERIES 27

Size	Part No.	H	J	T	T1	Weight
4 x 4 x 6	27F-446-D	8.0	8.0	.50	.56	88
6 x 6 x 8	27F-668-D	9.0	9.0	.56	.62	142
8 x 8 x 10	27F-8810-D	11.0	11.0	.62	.75	240
10 x 10 x 12	27F-101012-D	12.0	12.0	.75	.81	340

Larger sizes thru 48" available upon request.

TRUE WYES

ANSI B16.1 Class 125



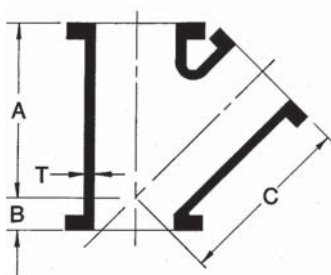
SERIES 32

Size	Part No.	A	B	T	Weight
4	32F-0404-D	6.5	3.0	.50	50
6	32F-0606-D	8.0	3.5	.56	80
8	32F-0808-D	9.0	4.5	.62	125

Larger sizes thru 48" available upon request.

LATERAL WYES

ANSI B16.1 Class 125



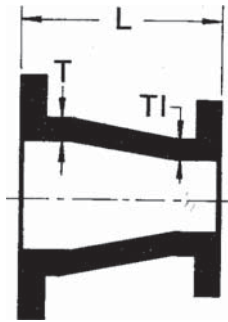
SERIES 30

Size	Part No.	A	B	C	T	Weight
3	30F-0303-D	10.0	3.0	10.0	.38	45
4 x 3	30F-0403-D	12.0	3.0	12.0	.52	65
4	30F-0404-D	12.0	3.0	12.0	.50	75
6 x 3	30F-0603-D	14.5	3.0	12.0	.55	100
6 x 4	30F-0604-D	14.5	3.5	14.5	.56	105
6	30F-0606-D	14.5	3.5	14.5	.56	120
8 x 6	30F-0806-D	17.5	4.5	17.5	.62	175
8	30F-0808-D	17.5	4.5	17.5	.62	200
10 x 6	30F-1006-D	20.5	5.0	20.5	.68	270
10 x 8	30F-1008-D	20.5	5.0	20.5	.68	295
10	30F-1010-D	20.5	5.0	20.5	.75	335
12 x 6	30F-1206-D	24.5	5.5	24.5	.75	395
12 x 8	30F-1208-D	24.5	5.5	24.5	.75	420
12 x 10	30F-1210-D	24.5	5.5	24.5	.75	455
12	30F-1212-D	24.5	5.5	24.5	.81	515

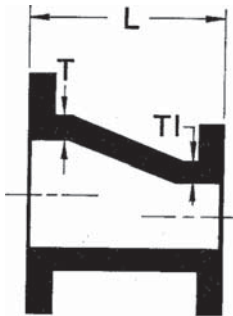
Larger sizes thru 48" available upon request.

CONCENTRIC & ECCENTRIC REDUCERS

ANSI B16.1 Class 125



(CONCENTRIC)
SERIES 50

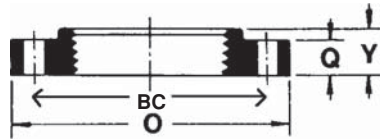


(ECCENTRIC)
SERIES 51

Size	Part No. (Concentric)	Part No. (Eccentric)	L	T	T1	Weight
2 x 1-1/2	50F-02015-D	-	5.5	.31	.30	12
2-1/2 x 2	50F-02502-D	-	5.5	.31	.31	14
3 x 1-1/2	50F-03015-D	-	6	.38	.30	15
3 x 2	50F-0302-D	51F-0302-D	6	.38	.31	16
3 x 2-1/2	50F-03025-D	51F-03025-D	6	.38	.31	20
4 x 2	50F-0402-D	51F-0402-D	7	.50	.31	25
4 x 2-1/2	50F-04025-D	51F-04025-D	7	.50	.31	28
4 x 3	50F-0403-D	51F-0403-D	7	.50	.38	30
5 x 2-1/2	50F-05025-D	51F-05025-D	8	.50	.31	31
5 x 3	50F-0503-D	51F-0503-D	8	.50	.38	32
5 x 4	50F-0504-D	51F-0504-D	8	.50	.50	39
6 x 2	50F-0602-D	51F-0602-D	9	.56	.31	35
6 x 2-1/2	50F-06025-D	51F-06025-D	9	.56	.31	38
6 x 3	50F-0603-D	51F-0603-D	9	.56	.38	40
6 x 4	50F-0604-D	51F-0604-D	9	.56	.50	45
6 x 5	50F-0605-D	51F-0605-D	9	.56	.50	50
8 x 3	50F-0803-D	51F-0803-D	11	.62	.38	57
8 x 4	50F-0804-D	51F-0804-D	11	.62	.50	65
8 x 5	50F-0805-D	51F-0805-D	11	.62	.50	70
8 x 6	50F-0806-D	51F-0806-D	11	.62	.56	75
10 x 4	50F-1004-D	51F-1004-D	12	.75	.50	85
10 x 5	50F-1005-D	51F-1005-D	12	.75	.50	88
10 x 6	50F-1006-D	51F-1006-D	12	.75	.56	90
10 x 8	50F-1008-D	51F-1008-D	12	.75	.62	110
12 x 4	50F-1204-D	51F-1204-D	14	.81	.50	120
12 x 6	50F-1206-D	51F-1206-D	14	.81	.56	130
12 x 8	50F-1208-D	51F-1208-D	14	.81	.62	145
12 x 10	50F-1210-D	51F-1210-D	14	.81	.75	170
14 x 6	50F-1406-D	51F-1406-D	16	.66	.55	155
14 x 8	50F-1408-D	51F-1408-D	16	.66	.60	175
14 x 10	50F-1410-D	51F-1410-D	16	.66	.68	190
14 x 12	50F-1412-D	51F-1412-D	16	.66	.75	220
16 x 6	50F-1606-D	51F-1606-D	18	.70	.55	190
16 x 8	50F-1608-D	51F-1608-D	18	.70	.60	210
16 x 10	50F-1610-D	51F-1610-D	18	.70	.68	235
16 x 12	50F-1612-D	51F-1612-D	18	.70	.75	265
16 x 14	50F-1614-D	51F-1614-D	18	.70	.66	280
18 x 8	50F-1808-D	51F-1808-D	19	.75	.60	240
18 x 10	50F-1810-D	51F-1810-D	19	.75	.68	265
18 x 12	50F-1812-D	51F-1812-D	19	.75	.75	295
18 x 14	50F-1814-D	51F-1814-D	19	.75	.66	310
18 x 16	50F-1816-D	51F-1816-D	19	.75	.70	340
20 x 10	50F-2010-D	51F-2010-D	20	.80	.68	310
20 x 12	50F-2012-D	51F-2012-D	20	.80	.75	345
20 x 14	50F-2014-D	51F-2014-D	20	.80	.66	355
20 x 16	50F-2016-D	51F-2016-D	20	.80	.70	390
20 x 18	50F-2018-D	51F-2018-D	20	.80	.75	410
24 x 12	50F-2412-D	51F-2412-D	24	.89	.75	480
24 x 14	50F-2414-D	51F-2414-D	24	.89	.66	490
24 x 16	50F-2416-D	51F-2416-D	24	.89	.70	525
24 x 18	50F-2418-D	51F-2418-D	24	.89	.75	550
24 x 20	50F-2420-D	51F-2420-D	24	.89	.80	590

Larger sizes thru 48" available upon request.

STANDARD COMPANION FLANGE (Cast Iron)



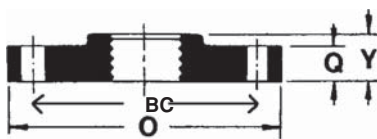
SERIES 306

ANSI B16.1 Class 125

Nominal Size	Product No.	BC	O	Q	Y	Bolt Holes		Wgt.
						No.	Size	
1	306-100-0425	3.12	4-1/4	7/16	11/16	4	0.62	1.75
1-1/4	306-125-0463	3.50	4-5/8	1/2	13/16	4	0.62	2.00
1-1/2	306-150-0500	3.88	5	9/16	7/8	4	0.62	2.25
2	306-200-0600	4.75	6	5/8	1	4	0.75	4.00
2-1/2	306-250-0700	5.50	7	11/16	1-1/8	4	0.75	6.00
3	306-300-0750	6.00	7-1/2	3/4	1-3/16	4	0.75	7.63
3-1/2	306-350-0850	7.00	8-1/2	13/16	1-1/4	8	0.75	9.50
4	306-400-0900	7.50	9	15/16	1-5/16	8	0.75	11.75
5	306-500-1000	8.50	10	15/16	1-7/16	8	0.88	14.00
6	306-600-1100	9.50	11	1	1-9/16	8	0.88	16.50
8	306-800-1350	11.75	13-1/2	1-1/8	1-3/4	8	0.88	26.00
10	306-1000-1600	14.25	16	1-3/16	1-15/16	12	1.00	38.00
12	306-1200-1900	17.00	19	1-1/4	2-3/16	12	1.00	51.00

Larger sizes thru 48" available upon request.

REDUCING COMPANION FLANGE (Cast Iron)



SERIES 316

ANSI B16.1 Class 125

Nominal Size		Product No.	Thread Size	BC	O	Q	Y	Bolt Holes		Weight
Pipe x O.D.	Flg. x Pipe							No.	Size	
1 x 5	1-1/2 x 1	316-100-0500	1	3.88	5	9/16	11/16	4	0.62	2.75
1-1/4 x 5	1-1/2 x 1-1/4	316-125-0500	1-1/4				13/16			2.50
1 x 6	2 x 1	316-100-0600	1	4.75	6	5/8	11/16	4	0.75	5.00
1-1/4 x 6	2 x 1-1/4	316-125-0600	1-1/4				13/16			4.75
1-1/2 x 6	2 x 1-1/2	316-150-0600	1-1/2	5.50	7	11/16	7/8	4	0.75	4.50
1-1/2 x 7	2-1/2 x 1-1/2	316-150-0700	1-1/2				7/8			7.00
2 x 7	2-1/2 x 2	316-200-0700	2	6.00	7-1/2	3/4	1	4	0.75	6.75
1 x 7-1/2	3 x 1	316-100-0750	1				13/16			9.00
1-1/2 x 7-1/2	3 x 1-1/2	316-150-0750	1-1/2	7.50	9	15/16	7/8	4	0.75	8.75
2 x 7-1/2	3 x 2	316-200-0750	2				1			8.50
2-1/2 x 7-1/2	3 x 2-1/2	316-250-0750	2-1/2	7.50	9	15/16	1-1/8	8	0.75	8.00
1-1/2 x 9	4 x 1-1/2	316-150-0900	1-1/2				1			14.75
2 x 9	4 x 2	316-200-0900	2	9.50	11	1	1	8	0.75	14.00
2-1/2 x 9	4 x 2-1/2	316-250-0900	2-1/2				1-1/8			13.50
3 x 9	4 x 3	316-300-0900	3	9.50	11	1	1-3/16	8	0.88	12.75
2 x 10	5 x 2	316-200-1000	2				1			18.00
3 x 10	5 x 3	316-300-1000	3	8.50	10	15/16	1-3/16	8	0.88	17.00
4 x 10	5 x 4	316-400-1000	4				1-5/16			16.00
1-1/2 x 11	6 x 1-1/2	316-150-1100	1-1/2	9.50	11	1	1-1/16	8	0.88	27.00
2 x 11	6 x 2	316-200-1100	2				1-1/16			26.00
2-1/2 x 11	6 x 2-1/2	316-250-1100	2-1/2	9.50	11	1	1-1/8	8	0.88	25.00
3 x 11	6 x 3	316-300-1100	3				1-3/16			23.00
4 x 11	6 x 4	316-400-1100	4	11.75	13-1/2	1-1/8	1-5/16	8	0.88	21.00
5 x 11	6 x 5	316-500-1100	5				1-7/16			19.00
2 x 13-1/2	8 x 2	316-200-1350	2	11.75	13-1/2	1-1/8	1-3/16	8	0.88	44.00
3 x 13-1/2	8 x 3	316-300-1350	3				1-3/16			40.00
4 x 13-1/2	8 x 4	316-400-1350	4	14.25	16	1-3/16	1-5/16	12	1.00	37.00
5 x 13-1/2	8 x 5	316-500-1350	5				1-7/16			34.00
6 x 13-1/2	8 x 6	316-600-1350	6	14.25	16	1-3/16	1-9/16	12	1.00	31.00
2 x 16	10 x 2	316-200-1600	2				1-15/16			61.00
4 x 16	10 x 4	316-400-1600	4	14.25	16	1-3/16	1-15/16	12	1.00	57.00
6 x 16	10 x 6	316-600-1600	6				1-15/16			53.00
8 x 16	10 x 8	316-800-1600	8	17.00	19	1-1/4	1-15/16	12	1.00	50.00
2 x 19	12 x 2	316-200-1900	2				2-3/16			84.00
4 x 19	12 x 4	316-400-1900	4	17.00	19	1-1/4	2-3/16	12	1.00	86.00
6 x 19	12 x 6	316-600-1900	6				2-3/16			88.00
8 x 19	12 x 8	316-800-1900	8	17.00	19	1-1/4	2-3/16	12	1.00	81.00
10 x 19	12 x 10	316-1000-1900	10				2-3/16			72.00

Larger sizes thru 48" available upon request.

REDI-FLANGE™

ANSI B16.1 Class 125
ANSI B16.5 Class 150

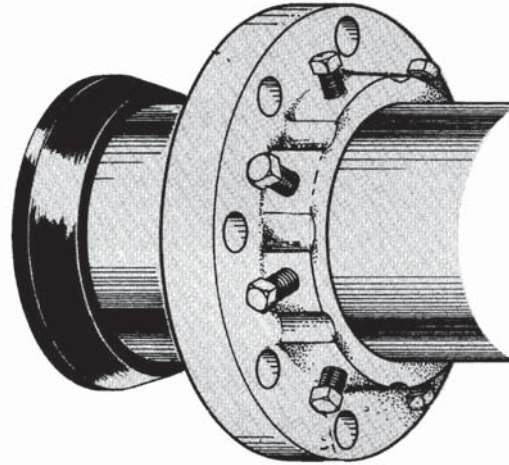
No Welding!
No Threading!

STANDARDS:

Ductile Iron - ASTM A536
Grade 65-45-12. Drilling to
ANSI B16.1 - 125 lb.
ANSI B16.5 - 150 lb.

SET SCREW: AISI
steel. Tensile 160,000
psi minimum.

GASKET: SBR (BUNA-N).



HYDROSTATIC TEST PRESSURE:

MODEL - RFC-2 - 125 lb./150 lb.
2 in. - 8 in. 600 psi
10 in. - 12 in. 525 psi

MODEL - RFC-4 - 125 lb./150 lb.
3 in. - 12 in. 750 psi
14 in. - 24 in. 300 psi

The *Redi-Flange*™ joins valves, fittings and equipment with integral flanged ends to plain end pipe, without the need of pipe end preparation. Absolutely no threading, welding, or grooving is necessary. The working principle of the *Redi-Flange*™ is relatively simple. Slide the flange over plain end pipe and follow it with a standard mechanical joint gasket. When the *Redi-Flange*™ is brought to mate against an existing flange, and the flange bolts are tightened, a compression type seal is created against the mating flange and pipe surface. End restraint is provided when the set screws are tightened.

Nom. Pipe Size	Part No.	D.I. Pipe O.D. RFC-2-D	Steel Pipe O.D. RFC-2-S	Flange O.D.	Bolt Circle	Bolt Hole Dia.	Set Screws		Wgt. Approx.
							No.	Size	
2	RFC-201	2.50	2.38	6	4-3/4	3/4	2	1/2 x 1	3.5
2-1/2	RFC-202	-	2.88	7	5-1/2	3/4	4	1/2 x 1	4
3	RFC-203	3.96	3.50	7-1/2	6	3/4	4	1/2 x 1	5
4	RFC-204	4.80	4.50	9	7-1/2	3/4	4	1/2 x 1	8
5	RFC-205	-	5.56	10	8-1/2	7/8	8	1/2 x 1	9
6	RFC-206	6.90	6.625	11	9-1/2	7/8	8	1/2 x 1	10
8	RFC-208	9.05	8.625	13-1/2	11-3/4	7/8	8	5/8 x 1-1/4	17
10	RFC-210	11.10	10.75	16	14-1/4	1	12	5/8 x 1-1/4	22
12	RFC-212	13.20	12.75	19	17	1	12	5/8 x 1-1/4	31

Nom. Pipe Size	Part No.	D.I. Pipe O.D. RFC-4-D	Flange O.D.	Bolt Circle	Boly Hole Dia.	Set Screws		Wgt. Approx.
						No.	Size	
3	RFC-403	3.96	7-1/2	6	3/4	4	1/2 x 1	8
4	RFC-404	4.80	9	7-1/2	3/4	4	1/2 x 1	11
6	RFC-406	6.90	11	9-1/2	7/8	8	5/8 x 1-1/4	14
8	RFC-408	9.05	13-1/2	11-3/4	7/8	8	5/8 x 1-1/4	21
10	RFC-410	11.10	16	14-1/4	1	12	5/8 x 1-1/4	38
12	RFC-412	13.20	19	17	1	12	5/8 x 1-1/4	56
14	RFC-414	15.30	21	18-3/4	1-1/8	12	5/8 x 1-1/4	70
16	RFC-416	17.40	23-1/2	21-1/4	1-1/8	16	5/8 x 1-1/4	79
18	RFC-418	19.50	25	22-3/4	1-1/4	16	3/4 x 2	90
20	RFC-420	21.60	27-1/2	25	1-1/4	20	3/4 x 2	145
24	RFC-424	25.80	32	29-1/2	1-3/8	20	3/4 x 2	175
30	RFC-430	32.00	38-3/4	36	1-3/8	28	1 x 2-1/4	270
36	RFC-436	38.30	46	42-3/4	1-5/8	32	1 x 2-1/4	400

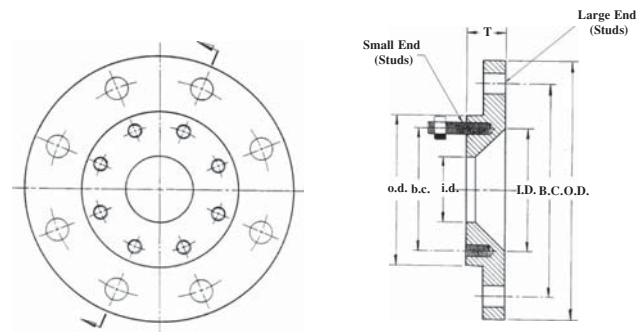
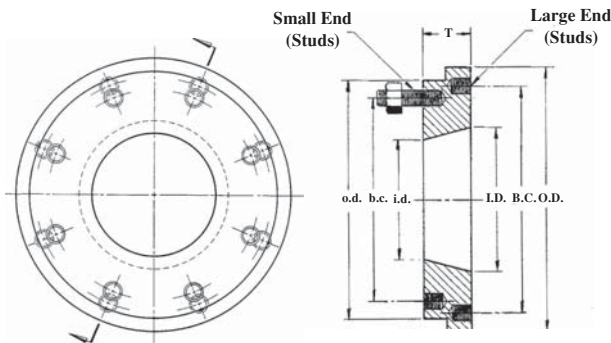
COMPACT FLANGE REDUCER Class 125/150 Flanges

Mates with ANSI Class 125/150 flange drillings

Material: Ductile Iron
ASTM A536 or ASTM A36
Steel

TYPE A

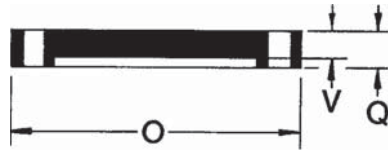
TYPE B



Flange Size	Part No.	Large End			Small End			T	Type	Large End Studs		Small End Studs	
		I.D.	O.D.	B.C.	i.d.	o.d.	b.c.			Qty.	Size	Qty.	Size
2 x 1-1/2	740-110-100	2.00	6.00	4.75	1.50	6.00	3.88	1.50	A	4	5/8 x 2-1/2	4	1/2 x 2-1/2
2 1/2 x 1-1/2	740-120-100	2.50	7.00	5.50	1.50	6.00	3.88	1.50	A	4	5/8 x 2-1/2	4	1/2 x 2-1/2
2 1/2 x 2	740-120-110	2.50	7.00	5.50	2.00	6.00	4.75	1.50	A	4	5/8 x 2-1/2	4	5/8 x 2-1/2
3 x 1-1/2	740-130-100	3.00	7.50	6.00	1.50	6.00	3.88	1.50	A	4	5/8 x 2-1/2	4	1/2 x 2-1/2
3 x 2	740-130-110	3.00	7.50	6.00	2.00	6.00	4.75	1.50	A	4	5/8 x 2-1/2	4	5/8 x 2-1/2
3 x 2-1/2	740-130-120	3.00	7.50	6.00	2.50	7.00	5.50	1.50	A	4	5/8 x 2-1/2	4	5/8 x 2-1/2
4 x 2	740-140-110	4.00	9.00	7.50	2.00	6.00	4.75	1.50	A	8	5/8 x 3	4	5/8 x 2-1/2
4 x 2-1/2	740-140-120	4.00	9.00	7.50	2.50	7.00	5.50	1.50	A	8	5/8 x 3	4	5/8 x 2-1/2
4 x 3	740-140-130	4.00	9.00	7.50	3.00	7.50	6.00	1.50	A	8	5/8 x 3	4	5/8 x 2-1/2
6 x 2-1/2	790-160-120	6.00	11.00	9.50	2.50	7.00	5.50	1.50	B	-	-	8	5/8 x 2-1/2
6 x 3	790-160-130	6.00	11.00	9.50	3.00	7.50	6.00	1.50	B	-	-	8	5/8 x 2-1/2
6 x 4	740-160-140	6.00	11.00	9.50	4.00	9.00	7.50	2.00	A	8	3/4 x 3-1/2	8	5/8 x 3
6 x 5	740-160-150	6.00	11.00	9.50	5.00	10.00	8.50	2.00	A	8	3/4 x 3-1/2	8	3/4 x 3-1/2
8 x 4	790-180-140	8.00	13.50	11.75	4.00	9.00	7.50	2.00	B	-	-	8	5/8 x 3
8 x 5	740-180-150	8.00	13.50	11.75	5.00	10.00	8.50	2.00	A	8	3/4 x 3-1/2	8	3/4 x 3-1/2
8 x 6	740-180-160	8.00	13.50	11.75	6.00	11.00	9.50	2.00	A	8	3/4 x 3-1/2	8	3/4 x 3-1/2
10 x 2	790-200-110	10.00	16.00	14.25	2.00	6.00	4.75	1.50	B	-	-	4	5/8 x 2-1/2
10 x 4	790-200-140	10.00	16.00	14.25	4.00	9.00	7.50	2.00	B	-	-	12	5/8 x 3
10 x 5	790-200-150	10.00	16.00	14.25	5.00	10.00	8.50	2.00	B	-	-	12	3/4 x 3-1/2
10 x 6	740-200-160	10.00	16.00	14.25	6.00	11.00	9.50	2.00	A	12	7/8 x 4	8	3/4 x 3-1/2
10 x 8	740-200-180	10.00	16.00	14.25	8.00	13.50	11.75	2.00	A	12	7/8 x 4	8	3/4 x 3-1/2
12 x 4	790-220-140	12.00	19.00	17.00	4.00	9.00	7.50	2.00	B	-	-	12	5/8 x 3
12 x 6	790-220-160	12.00	19.00	17.00	6.00	11.00	9.50	2.00	B	-	-	12	3/4 x 3-1/2
12 x 8	740-220-180	12.00	19.00	17.00	8.00	13.50	11.75	2.00	A	12	7/8 x 4	8	3/4 x 3-1/2
12 x 10	740-220-200	12.00	19.00	17.00	10.00	16.00	14.25	2.00	A	12	7/8 x 4	12	7/8 x 4
14 x 6	790-240-160	14.00	21.00	18.75	6.00	11.00	9.50	2.50	B	-	-	12	3/4 x 3-1/2
14 x 8	790-240-180	14.00	21.00	18.75	8.00	13.50	11.75	2.50	B	-	-	12	3/4 x 3-1/2
14 x 10	740-240-200	14.00	21.00	18.75	10.00	16.00	14.25	2.50	A	12	1 x 4-1/2	12	7/8 x 4
14 x 12	740-240-220	14.00	21.00	18.75	12.00	19.00	17.00	2.50	A	12	1 x 4-1/2	12	7/8 x 4
16 x 6	790-260-160	16.00	23.50	21.25	3.00	11.00	9.50	2.50	B	-	-	16	3/4 x 3-1/2
16 x 8	790-260-180	16.00	23.50	21.25	8.00	13.50	11.75	2.50	B	-	-	16	3/4 x 3-1/2
16 x 10	790-260-200	16.00	23.50	21.25	10.00	16.00	14.25	2.50	B	-	-	16	7/8 x 4
16 x 12	740-260-220	16.00	23.50	21.25	12.00	19.00	17.00	2.50	A	16	1 x 4-1/2	12	7/8 x 4
16 x 14	740-260-240	16.00	23.50	21.25	14.00	21.00	18.75	2.50	A	16	1 x 4-1/2	12	1 x 4-1/2
18 x 12	740-280-220	18.00	25.00	22.75	12.00	19.00	17.00	2.50	B	-	-	12	7/8 x 4
20 x 12	740-300-220	20.00	27.50	25.00	12.00	19.00	17.00	2.50	B	-	-	12	7/8 x 4

BLIND FLANGES

ANSI B16.1 Class 125



SERIES 60 (1"-10")



SERIES 60 (12")

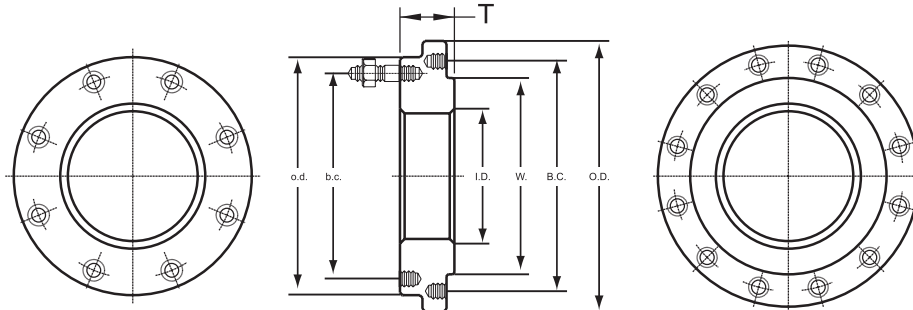
Size	Part No.	O	Q	V	Weight
1	60F-0100-D	4.25	.44	.38	2
1-1/4	60F-0125-D	4.62	.50	.44	2.25
1-1/2	60F-0150-D	5.00	.56	.50	3.75
2	60F-0200-D	6.00	.62	.62	5
2-1/2	60F-0250-D	7.00	.68	.62	7
3	60F-0300-D	7.50	.75	.69	9
3-1/2	60F-0350-D	8.50	.81	.75	14
4	60F-0400-D	9.00	.94	.88	16
5	60F-0500-D	10.00	.94	.88	18
6	60F-0600-D	11.00	1.00	.94	25
8	60F-0800-D	13.50	1.12	1.06	42
10	60F-1000-D	16.00	1.19	1.12	62
12	60F-1200-D	19.00	1.25	.81	85
14	60F-1400-D	21.00	1.38	.88	120
16	60F-1600-D	23.50	1.44	1.00	145
18	60F-1800-D	25.00	1.56	1.06	185
20	60F-2000-D	27.50	1.69	1.12	245
24	60F-2400-D	32.00	1.88	1.25	370

FLANGE CONVERTERS

ANSI B16.1 Class 125

Class 125/150

Class 250/300

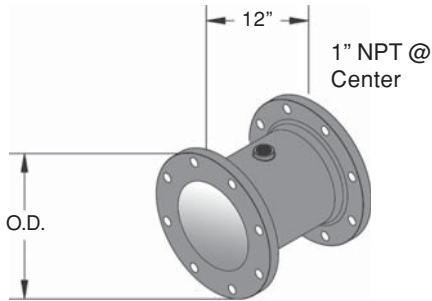
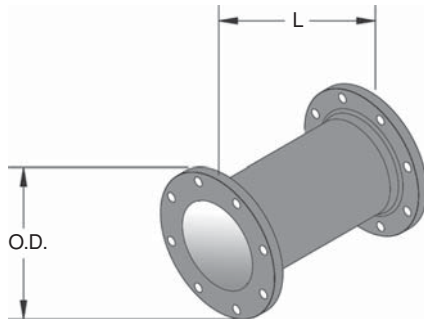


Part No.	CLASS 125/150					CLASS 250/300							Weight
	Flange Size/I.D.	o.d.	b.c.	No. of Bolt Holes	Stud Bolt Size	W	B.C.	O.D.	A	T	No. of Bolt Holes	Stud Bolt Size	
840-130	3	7.50	6.0	4	5/8 x 3	5.69	6.62	8.25	0.06	2	8	3/4 x 3-1/2	24
840-140	4	9	7.5	8	5/8 x 3	6.94	7.88	10	0.06	2	8	3/4 x 3-1/2	28
840-150	5	10	8.5	8	3/4 x 3-1/2	8.31	9.25	11	0.06	2	8	3/4 x 3-1/2	32
840-160	6	11	9.5	8	3/4 x 3-1/2	9.69	10.62	12.5	0.06	2	12	3/4 x 3 1/2	42
840-180	8	13.5	11.75	8	3/4 x 3-1/2	11.94	13	15	0.06	2 1/4	12	7/8 x 4	66
840-200	10	16	14.25	12	7/8 x 4	14.06	15.25	17.5	0.06	2 3/4	16	1 x 4-1/2	100
840-220	12	19	17	12	7/8 x 4	16.44	17.75	20.5	0.06	2 3/4	16	1-1/8 x 5-1/2	160

FLANGED FITTINGS

DUCTILE IRON FLANGED PIPES

Integrally Cast



ANSI B16.1 Class 125

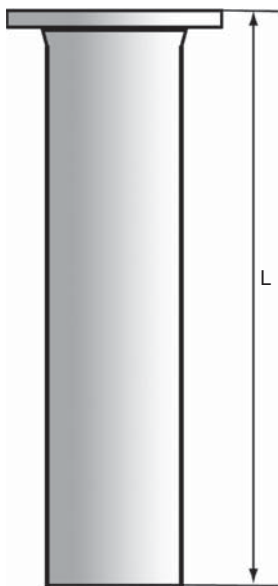
Part Number	Size (ND)	Length	Weight (Approx.)
80F-0406-D	4"	6"	29.00
80F-0412-D		12"	35.92
80F-0418-D		18"	42.87
80F-0424-D		24"	49.79
80F-0606-D	6"	6"	41.10
80F-0612-D		12"	52.19
80F-0618-D		18"	63.28
80F-0624-D		24"	74.37
80F-0806-D	8"	6"	110.89
80F-0812-D		12"	127.16
80F-0818-D		18"	141.65
80F-0824-D		24"	157.04

Raised Boss w/1" NPT

87F-0412-D	4"		36.00
87F-0612-D	6"	12"	52.00
87F-0812-D	8"		127.16

FLANGE SPIGOT

ANSI B16.1 Class 125

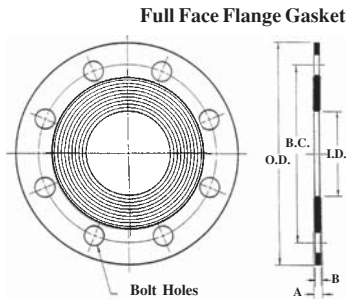


Part Number	Size (ND)	Length	Weight (Approx.)
56F-0448-D	4"	48"	69
56F-0460-D		60"	83
56F-0472-D		72"	97
56F-0496-D		96"	124
56F-0648-D	6"	48"	105
56F-0660-D		60"	126
56F-0672-D		72"	147
56F-0696-D		96"	190
56F-0848-D	8"	48"	150
56F-0860-D		60"	181
56F-0872-D		72"	211
56F-0896-D		96"	271

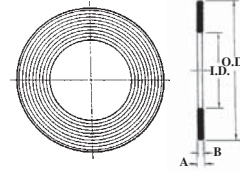
SEAL-TITE FLANGE GASKET

ANSI B16.1 Class 125

Low Torque!



Ring Type Flange Gasket



Serrated Face!

Material: SBR

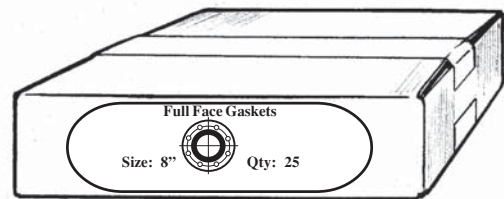
Nominal Size	Part No. (Full Face)	Part No. (Ring)	ID	OD (Full Face)	OD (Ring)	A	B	BC (Full Face)	Box Quantity (Full Face)	Box Quantity (Ring)
2	FFG-050-150	RG-050-100	2.15	6.00	3.90	5/32	1/8	4.75	25	25
2 1/2	FFG-065-175	RG-065-120	2.73	7.00	4.70	5/32	1/8	5.50	25	25
3	FFG-080-188	RG-080-132	3.20	7.50	5.15	5/32	1/8	6.00	25	25
4	FFG-100-210	RG-100-162	3.98	9.00	6.30	5/32	1/8	7.50	25	25
5	FFG-125-250	RG-125-194	5.07	10.00	7.60	5/32	1/8	8.50	25	25
6	FFG-150-275	RG-150-218	6.01	11.00	8.50	5/32	1/8	9.50	25	25
8	FFG-200-340	RG-200-272	8.11	13.50	10.60	5/32	1/8	11.75	25	25
10	FFG-250-400	RG-250-328	10.06	16.00	12.80	5/32	1/8	14.25	25	25
12	FFG-300-475	RG-300-378	12.09	19.00	14.75	5/32	1/8	17.00	25	25
14	FFG-350-525	RG-350-445	14.12	21.00	17.15	5/32	1/8	18.75	10	10
16	FFG-400-588	RG-400-510	16.19	23.50	19.90	5/32	1/8	21.25	10	10
18	FFG-450-625	RG-450-542	18.25	25.00	21.15	5/32	1/8	22.75	10	10
20	FFG-500-688	RG-500-606	20.28	27.50	23.60	5/32	1/8	25.00	10	10
24	FFG-600-800	RG-600-717	24.34	32.00	27.95	5/32	1/8	29.50	10	10
30	FFG-750-985	-	30.98	38.75	-	5/32	1/8	36.00	5	-
36	FFG-900-1165	-	37.14	46.00	-	5/32	1/8	42.75	5	-
42	FFG-1000-1345	-	43.20	53.00	-	5/32	1/8	49.50	5	-
48	FFG-1200-1510	-	49.36	59.50	-	5/32	1/8	56.00	5	-

FLAT FLANGE GASKET

Full Face



Ring Type



Material: Red Rubber
Non-Asbestos

Nominal Size	Part No. (Full Face)	Part No. (Ring)	OD (Full Face)	OD (Ring)	Thickness	Bolt Circle (Full Face)	Box Quantity (Full Face)	Box Quantity (Ring)
1	FFF-025-100	FRG-025-065	4.25	2.63	1/8	3.12	25	25
1-1/4	FFF-030-115	FRG-030-080	4.62	3.00	1/8	3.50	25	25
1-1/2	FFF-040-125	FRG-040-085	5.00	3.38	1/8	3.88	25	25
2	FFF-050-150	FRG-050-100	6.00	3.90	1/8	4.75	25	25
2 1/2	FFF-065-175	FRG-065-120	7.00	4.70	1/8	5.50	25	25
3	FFF-080-188	FRG-080-132	7.50	5.15	1/8	6.00	25	25
4	FFF-100-210	FRG-100-162	9.00	6.30	1/8	7.50	25	25
5	FFF-125-250	FRG-125-194	10.00	7.60	1/8	8.50	25	25
6	FFF-150-275	FRG-150-218	11.00	8.50	1/8	9.50	25	25
8	FFF-200-340	FRG-200-272	13.50	10.60	1/8	11.75	25	25
10	FFF-250-400	FRG-250-328	16.00	12.80	1/8	14.25	25	25
12	FFF-300-475	FRG-300-378	19.00	14.75	1/8	17.00	10	10
14	FFF-350-525	FRG-350-445	21.00	17.15	1/8	18.75	10	10
16	FFF-400-588	FRG-400-510	23.50	19.90	1/8	21.25	10	10
18	FFF-450-625	FRG-450-542	25.00	21.15	1/8	22.75	10	10
20	FFF-500-688	FRG-500-606	27.50	23.60	1/8	25.00	10	10
24	FFF-600-800	FRG-600-717	32.00	27.95	1/8	29.50	10	10
30	FFF-750-985	-	38.75	-	1/8	36.00	5	-
36	FFF-900-1165	-	46.00	-	1/8	42.75	5	-
42	FFF-1000-1345	-	53.00	-	1/8	49.50	5	-
48	FFF-1200-1510	-	59.50	-	1/8	56.00	5	-

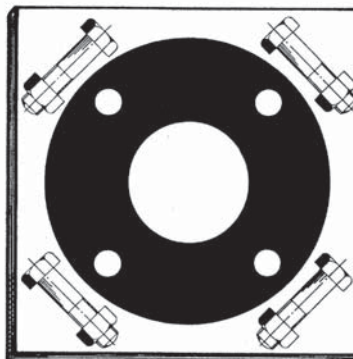
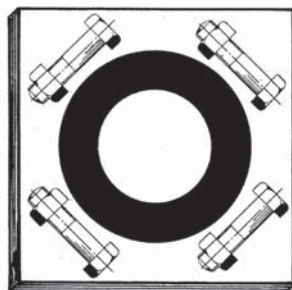
Toll Free: 1.866.872.0072 • Toll Free Fax: 1.866.872.0073

Local Calls: 905.335.8777 • Local Fax: 905.335.0977 • Email: ifc@islipflowcontrols.com • www.islipflowcontrols.com

FLANGE ACCESSORY PACKS

Class 125 & Class 250

Flanges



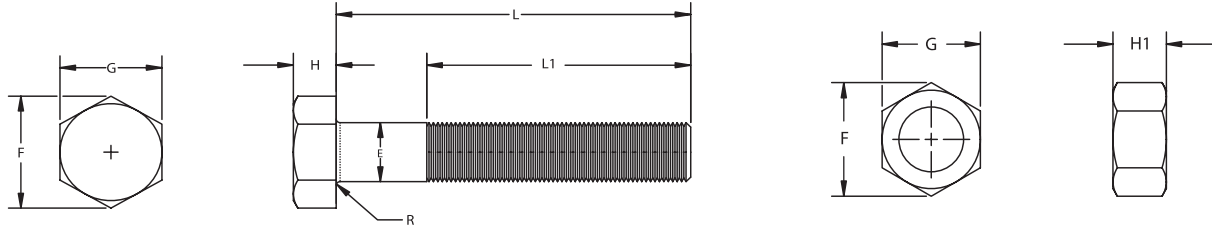
Class 125/150 Flange Size	1/8" Full Face Seal-Tite (Serrated)	1/8" Ring Type Seal-Tite (Serrated)	1/8" Full Face Red Rubber	1/8" Ring Type Red Rubber	1/8" Full Face Non-Asbestos	1/8" Ring Type Non-Asbestos
1	FBR-010-*	RBP-010-*	FRP-010-*	RRP-010-*	FNP-010-*	RNP-010-*
1-1/4	FBR-012-*	RBP-012-*	FRP-012-*	RRP-012-*	FNP-012-*	RNP-012-*
1-1/2	FBR-015-*	RBP-015-*	FRP-015-*	RRP-015-*	FNP-015-*	RNP-015-*
2	FBR-020-*	RBP-020-*	FRP-020-*	RRP-020-*	FNP-020-*	RNP-020-*
2-1/2	FBR-025-*	RBP-025-*	FRP-025-*	RRP-025-*	FNP-025-*	RNP-025-*
3	FBR-030-*	RBP-030-*	FRP-030-*	RRP-030-*	FNP-030-*	RNP-030-*
4	FBR-040-*	RBP-040-*	FRP-040-*	RRP-040-*	FNP-040-*	RNP-040-*
5	FBR-050-*	RBP-050-*	FRP-050-*	RRP-050-*	FNP-050-*	RNP-050-*
6	FBR-060-*	RBP-060-*	FRP-060-*	RRP-060-*	FNP-060-*	RNP-060-*
8	FBR-080-*	RBP-080-*	FRP-080-*	RRP-080-*	FNP-080-*	RNP-080-*
10	FBR-100-*	RBP-100-*	FRP-100-*	RRP-100-*	FNP-100-*	RNP-100-*
12	FBR-120-*	RBP-120-*	FRP-120-*	RRP-120-*	FNP-120-*	RNP-120-*
14	FBR-140-*	RBP-140-*	FRP-140-*	RRP-140-*	FNP-140-*	RNP-140-*
16	FBR-160-*	RBP-160-*	FRP-160-*	RRP-160-*	FNP-160-*	RNP-160-*
18	FBR-180-*	RBP-180-*	FRP-180-*	RRP-180-*	FNP-180-*	RNP-180-*
20	FBR-200-*	RBP-200-*	FRP-200-*	RRP-200-*	FNP-200-*	RNP-200-*
24	FBR-240-*	RBP-240-*	FRP-240-*	RRP-240-*	FNP-240-*	RNP-240-*
30	FBR-260-*	RBP-260-*	FRP-260-*	RRP-260-*	FNP-260-*	RNP-260-*
36	FBR-280-*	RBP-280-*	FRP-280-*	RRP-280-*	FNP-280-*	RNP-280-*
42	FBR-300-*	RBP-300-*	FRP-300-*	RRP-300-*	FNP-300-*	RNP-300-*
48	FBR-340-*	RBP-340-*	FRP-340-*	RRP-340-*	FNP-340-*	RNP-340-*

*Add suffix "Z" for Zinc Plated, "304" for 304 Stainless Steel & "316" for 316 Stainless Steel

*Add suffix "250" for Zinc Class 250 Flange Accessories

HEAVY HEX BOLTS AND NUTS FOR FLANGES TO B16.1-125#, B16.5-150#

Material: Bolts - ASTM A307 Grade B, Nuts - ASTM A563, Grade A

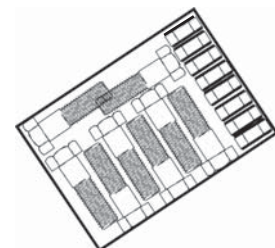
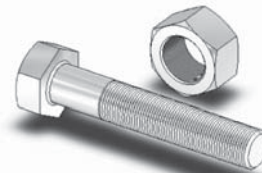


Nominal Size	Part No.	E	G	F	H	HI	R	L ₁	L
		Body Diameter	Width Across Flats	Max. Width Across Corners	Bolt Head Height	Nut Height	Radius of Fillet	Thread Length	Shaft Length
1/2 x 2	BN7025-050-200	0.515	7/8	1.010	11.32	31/64	0.01~0.03	1.25	2.00
5/8 x 2-1/2	BN7025-062-250	0.642	1-1/16	1.227	27/64	39/64	0.02~0.06	1.50	2.50
5/8 x 3	BN7025-062-300	0.642	1-1/16	1.227	27/64	39/64	0.02~0.06	1.50	3.00
3/4 x 3-1/2	BN7025-075-350	0.768	1-1/4	1.443	1/2	47/64	0.02~0.06	1.75	3.50
3/4 x 4-1/2	BN7025-075-450	0.768	1-1/4	1.443	1/2	47/64	0.02~0.06	1.75	4.50
7/8 x 4	BN7025-082-400	0.895	1-7/16	1.660	37/64	55/64	0.02~0.06	2.00	4.00
7/8 x 4-1/2	BN7025-082-450	0.895	1-7/16	1.660	37/64	55/64	0.02~0.06	2.00	4.50
1 x 4-1/2	BN7025-100-450	1.022	1-5/8	1.876	43/64	63/64	0.03~0.09	2.25	4.50
1-1/8 x 5	BN7025-112-500	1.149	1-13/16	2.093	3/4	1-7/64	0.03~0.09	2.50	5.00
1-1/8 x 5-1/2	BN7025-112-550	1.149	1-13/16	2.093	3/4	1-7/32	0.03~0.09	2.50	5.50
1-1/4 x 6-1/2	BN7025-125-650	1.277	2	2.309	27/32	1-7/32	0.03~0.09	2.75	6.50
1-1/2 x 7	BN7025-150-700	1.531	2-3/8	2.742	1	1-15/32	0.03~0.09	3.25	7.00
1-1/2 x 7-1/2	BN7025-150-750	1.531	2-3/8	2.742	1	1-15/32	0.03~0.09	3.25	7.50
1-1/2 x 8	BN7025-150-800	1.531	2-3/8	2.742	1	1-15/32	0.03~0.09	3.25	8.00

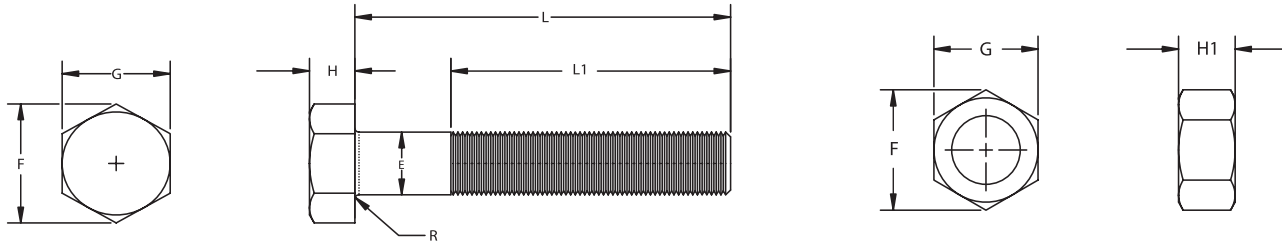
PACKAGED BOLT & NUT PACKS (Water Resistant)

Part No.	Class 125/150 Flange Size	Bolt Diameter and Length	No. of Bolts per Flange	No. of Bolts per Poly Bag	Master Box (Qty. of Sets)	Master Box Weight (Lbs.)
FBZ015	1	1/2 x 2	4	4	64	20
	1-1/2					
FBZ03	2	5/8 x 2-1/2	4	4	20	34
	3					
FBZ04	4	5/8 x 3	8	8	16	55
	5					
FBZ08	6	3/4 x 3-1/2	8	8	8	50
	8					
FBZ12	10	7/8 x 4	12	12	4	55
	12					
			No of Bolts per Box	No. of Boxes for one flange		
FBZ14	14	1 x 4-1/2	12	12	1	40
FBZ16	16	1 x 4-1/2	16	16	1	52
FBZ18	18	1-1/8 x 5	16	16	1	37
FBZ20	20	1-1/8 x 5	20	20	1	44
FBZ24	24	1-1/4 x 5-1/2	20	20	1	70
FBZ30	30	1-1/4 x 6-1/2	28	14	2 boxes	50
FBZ36	36	1-1/2 x 7	32	8	4 boxes	53
FBZ42	42	1-1/2 x 7-1/2	36	9	4 boxes	
FBZ48	48	1-1/2 x 8	44	11	4 boxes	

1. Heavy hex head steel bolts to ANSI B18.2.1 with heavy hex steel nuts to ANSI B18.2.2. Bolts to be threaded to ANSI B1.1 unified inch screw threads, class 2A external & Class 2B internal. The steel material to conform to ASTM A307 specification for carbon steel externally threaded standard fasteners, Grade B.
2. Zinc Plated per ASTM B633.



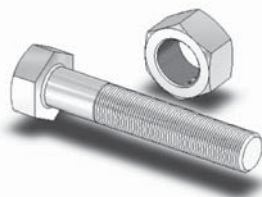
STAINLESS STEEL HEX BOLTS AND NUTS FOR FLANGES TO B16.1-125#, B16.5-150# SS 304 AND SS 316



Nominal Size	Part No.	E	G	F	H	HI	R	L ₁	L
		Body Diameter	Width Across Flats	Max. Width Across Corners	Bolt Head Height	Nut Height	Radius of Fillet	Thread Length	Shaft Length
1/2 x 2	BN6025-050-200*	0.515	3/4	0.866	11/32	7/16	0.01~0.03	1.25	2.00
5/8 x 2-1/2	BN6025-062-250*	0.642	15/16	1.083	27/64	35/64	0.02~0.06	1.50	2.50
5/8 x 3	BN6025-062-300*	0.642	15/16	1.083	27/64	35/64	0.02~0.06	1.50	3.00
3/4 x 3-1/2	BN6025-075-350*	0.768	1-1/8	1.299	1/2	41/64	0.02~0.06	1.75	3.50
3/4 x 4-1/2	BN6025-075-450*	0.768	1-1/8	1.299	1/2	41/64	0.02~0.06	1.75	4.50
7/8 x 4	BN6025-082-400*	0.895	1-5/16	1.516	37/64	3/4	0.02~0.06	2.00	4.00
7/8 x 4-1/2	BN6025-082-450*	0.895	1-5/16	1.516	37/64	3/4	0.02~0.06	2.00	4.50
1 x 4-1/2	BN6025-100-450*	1.022	1-1/2	1.732	43/64	55/64	0.03~0.09	2.25	4.50
1-1/8 x 5	BN6025-112-500*	1.149	1-11/16	1.949	3/4	31/32	0.03~0.09	2.50	5.00
1-1/8 x 5-1/2	BN6025-112-550*	1.149	1-11/16	1.949	3/4	1-1/16	0.03~0.09	2.50	5.50
1-1/4 x 6-1/2	BN6025-125-650*	1.277	1-7/8	2.165	27/32	1-9/32	0.03~0.09	2.75	6.50
1-1/2 x 7	BN6025-150-700*	1.531	2-1/4	2.598	1	1-9/32	0.03~0.09	3.25	7.00
1-1/2 x 7-1/2	BN6025-150-750*	1.531	2-1/4	2.598	1	1-9/32	0.03~0.09	3.25	7.50
1-1/2 x 8	BN6025-150-800*	1.531	2-1/4	2.598	1	1-9/32	0.03~0.09	3.25	8.00

1. Hex head stainless steel bolts to ANSI B18.2.1 with hex stainless steel nuts to ANSI B18.2.2. Bolts to be threaded to ANSI B1.1 unified inch screw threads, Class 2A external & Class 2B internal. The stainless steel material is available in either Type 304 or Type 316.

*Add suffix 304 or 316 to specify stainless steel type.



PACKAGED BOLT & NUT PACKS (Water Resistant)

Stainless Steel 304

Part No.	Class 125/150 Flange Size	Bolt Diameter and Length	No. of Bolts per Flange	No. of Bolts per Poly Bag	Master Box (Qty. of Sets)
FBS03-304	2	5/8 x 2-1/2	4	4	20
FBS04-304	3	5/8 x 3	8	8	16
FBS08-304	5	3/4 x 3-1/2	8	8	8
FBS12-304	6	7/8 x 4	12	12	4
FBS14-304	8	1" x 4-1/2"	12	12	1
FBS16-304	10	1" x 4-1/2"	16	16	1
FBS18-304	12	1-1/8" x 5"	16	16	1
FBS20-304	14	1-1/8" x 5"	20	20	1
FBS24-304	16	1-1/4" x 5-1/2"	20	20	1
FBS30-304	18	1-1/4" x 6-1/2"	28	14	2 boxes
FBS36-304	20	1-1/2" x 7"	32	8	4 boxes

Stainless Steel 316

Part No.	Class 125/150 Flange Size	Bolt Diameter and Length	No. of Bolts per Flange	No. of Bolts per Poly Bag	Master Box (Qty. of Sets)
FBS03-316	2	5/8 x 2-1/2	4	4	20
FBS04-316	3	5/8 x 3	8	8	16
FBS08-316	5	3/4 x 3-1/2	8	8	8
FBS12-316	6	7/8 x 4	12	12	4
FBS14-316	8	1" x 4-1/2"	12	12	1
FBS16-316	10	1" x 4-1/2"	16	16	1
FBS18-316	12	1-1/8" x 5"	16	16	1
FBS20-316	14	1-1/8" x 5"	20	20	1
FBS24-316	16	1-1/4" x 5-1/2"	20	20	1
FBS30-316	18	1-1/4" x 6-1/2"	28	14	2 boxes
FBS36-316	20	1-1/2" x 7"	32	8	4 boxes

STUD BOLTS/NUTS

STUD BOLTS				NUTS			
Bolt Size	Part No. Zinc Plated (B7)	Part No. SS304	Part No. SS316	Nut Size	Part No. Zinc Plated (2H)	Part No. SS304	Part No. SS316
1/2" x 2"	8025-050-200	8025-050-200-304	8025-050-200-316	1/2"	8035-050	8035-050-304	8035-050-316
5/8" x 2-1/2"	8025-062-250	8025-062-250-304	8025-062-250-316	5/8"	8035-062	8035-062-304	8035-062-316
5/8" x 3"	8025-062-300	8025-062-300-304	8025-062-300-316				
5/8" x 3-1/2"	8025-062-350	8025-062-350-304	8025-062-350-316				
5/8" x 6"	8025-062-600	8025-062-600-304	8025-062-600-316				
3/4" x 3"	8025-075-300	8025-075-300-304	8025-075-300-316	3/4"	8035-075	8035-075-304	8035-075-316
3/4" x 3-1/2"	8025-075-350	8025-075-350-304	8025-075-350-316				
3/4" x 4"	8025-075-400	8025-075-400-304	8025-075-400-316				
3/4" x 4-1/2"	8025-075-450	8025-075-450-304	8025-075-450-316				
3/4" x 5"	8025-075-500	8025-075-500-304	8025-075-500-316				
3/4" x 5-1/2"	8025-075-550	8025-075-550-304	8025-075-550-316				
3/4" x 6"	8025-075-600	8025-075-600-304	8025-075-600-316				
3/4" x 7"	8025-075-700	8025-075-700-304	8025-075-700-316				
7/8" x 3-1/2"	8025-082-350	8025-082-350-304	8025-082-350-316	7/8"	8035-082	8035-082-304	8035-082-316
7/8" x 3-3/4"	8025-082-375	8025-082-375-304	8025-082-375-316				
7/8" x 8"	8025-082-800	8025-082-800-304	8025-082-800-316				
1" x 4"	8025-100-400	8025-100-400-304	8025-100-400-316	1"	8035-100	8035-100-304	8035-100-316
1" x 5"	8025-100-500	8025-100-500-304	8025-100-500-316				
1" x 6"	8025-100-600	8025-100-600-304	8025-100-600-316				
1-1/8" x 4-1/2"	8025-112-450	8025-112-450-304	8025-112-450-316	1-1/8"	8035-112	8035-112-304	8035-112-316
1-1/8" x 5"	8025-112-500	8025-112-500-304	8025-112-500-316				
1-1/4" x 5"	8025-125-500	8025-125-500-304	8025-125-500-316	1-1/4"	8035-125	8035-125-304	8035-125-316
1-1/4" x 6"	8025-125-600	8025-125-600-304	8025-125-600-316				
1-1/4" x 7"	8025-125-700	8025-125-700-304	8025-125-700-316				
1-1/2" x 6"	8025-150-600	8025-150-600-304	8025-150-600-316	1-1/2"	8035-150	8035-150-304	8035-150-316
1-1/2" x 7"	8025-150-700	8025-150-700-304	8025-150-700-316				

Material:

Bolts:

Zinc Plated Steel, Grade B7
Stainless Steel 304
Stainless Steel 316

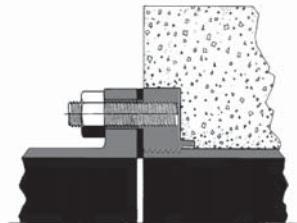
Nuts:

Zinc Plated Steel, Grade 2H
Stainless Steel 304
Stainless Steel 316



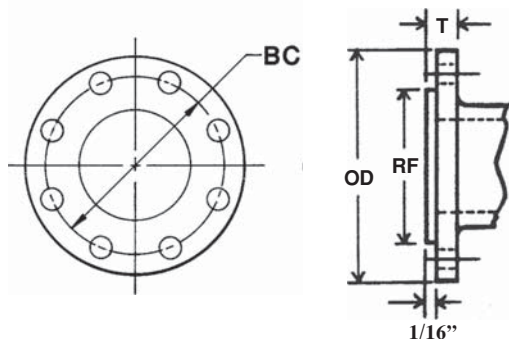
Packaged Flange Stud Bolt Packs for use with Class 125/150 Flange Pipe

Part No. B7, 2H	Part No. SS304	Part No. SS316	Flange Size	Bolt Size	No. of Bolts/Nuts per Flange	No. of Bolts/Nuts per Polybag	Master Box (No. of Packs)
FSB03	FSB03-304	FSB03-316	2"	5/8" x 3"	4	4	20
			2-1/2"				
			3"				
FSB04	FSB04-304	FSB04-316	4"	5/8" x 3"	8	8	16
FSB08	FSB08-304	FSB08-316	5"	3/4" x 3-1/2"	8	8	8
			6"				
			8"				
FSB12	FSB12-304	FSB12-316	10"	7/8" x 3-1/2"	12	12	4
			12"				
FSB14	FSB14-304	FSB14-316	14"	1" x 4"	12	12	1
FSB16	FSB16-304	FSB16-316	16"	1" x 4"	16	16	1
FSB18	FSB18-304	FSB18-316	18"	1-1/8" x 4-1/2"	16	16	1
FSB20	FSB20-304	FSB20-316	20"	1-1/8" x 4-1/2"	20	20	1
FSB24	FSB24-304	FSB24-316	24"	1-1/4" x 5"	20	20	1
FSB30	FSB30-304	FSB30-316	30"	1-1/4" x 5"	28	14	2 boxes (1pack each box)
FSB36	FSB36-304	FSB36-316	36"	1-1/2" x 6"	32	8	4 boxes (1pack each box)
FSB42	FSB42-304	FSB42-316	42"	1-1/2" x 6"	36	9	4 boxes (1pack each box)
FSB48	FSB48-304	FSB48-316	48"	1-1/2" x 7"	44	11	4 boxes (1pack each box)



FLANGE DETAILS - Class 250

ANSI B16.1 Class 250

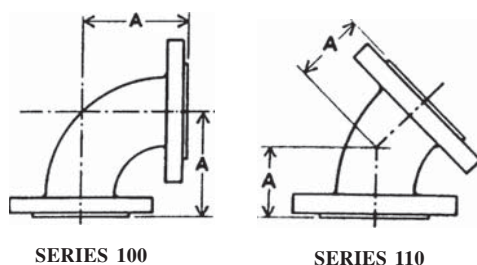


Size	OD	T	RF	BC	Bolt Hole Dia.	Bolt Dia. & Length	No. of Bolts
3	8-1/4	1-3/16	5-11/16	6-5/8	7/8	3/4 x 3-1/2	8
4	10	1-3/4	6-15/16	7-7/8	7/8	3/4 x 3-3/4	8
5	11	1-7/8	8-5/16	9-1/4	7/8	3/4 x 4	8
6	12-1/2	1-15/16	9-11/16	10-5/8	7/8	3/4 x 4	12
8	15	2-3/16	11-15/16	13	1	7/8 x 4-1/4	12
10	17-1/2	2-3/8	14-1/16	15-1/4	1-1/8	1 x 5-1/4	16
12	20-1/2	2-9/16	16-7/16	17-3/4	1-1/4	1-1/8 x 5-1/2	16

All dimensional data in inches and lbs.

ELBOWS

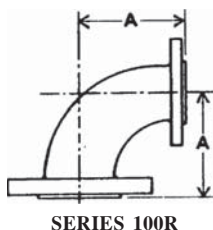
ANSI B16.1 Class 250



Size	90° Elbow			45° Elbow		
	Part No.	A	Wgt.	Part No.	A	Wgt.
3	100F-0303-D	6	40	110F-0303-D	3-1/2	35
4	100F-0404-D	7	66	110F-0404-D	4-1/2	60
6	100F-0606-D	8-1/2	124	110F-0606-D	5-1/2	103
8	100F-0808-D	10	192	110F-0808-D	6	158
10	100F-1010-D	11-1/2	311	110F-1010-D	7	247
12	100F-1212-D	13	430	110F-1212-D	8	355

90° REDUCING ELBOW

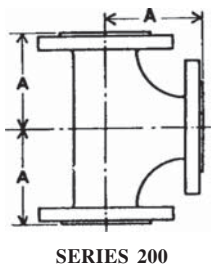
ANSI B16.1 Class 250



Size	Part No.	A	Weight
6 x 4	100F-0604-D	8-1/2	95
8 x 6	100F-0806-D	10	161
10 x 8	100F-1008-D	11-1/2	240

TEES

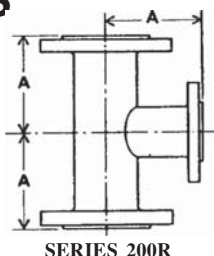
ANSI B16.1 Class 250



Size	Part No.	A	Weight
3	200F-0303-D	6	58
4	200F-0404-D	7	98
6	200F-0606-D	8-1/2	184
8	200F-0808-D	10	280
10	200F-1010-D	11-1/2	435
12	200F-1212-D	13	599

REDUCING TEES

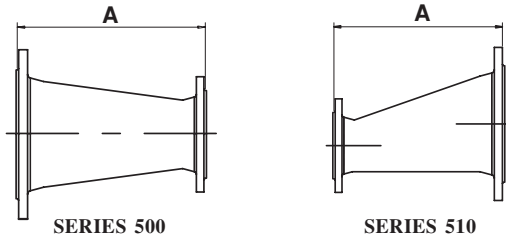
ANSI B16.1 Class 250



Size	Part No.	A	Weight
6 x 6 x 4	200F-0604-D	8-1/2	150
8 x 8 x 6	200F-0806-D	10	246
10 x 10 x 6	200F-1006-D	11-1/2	375
10 x 10 x 8	200F-1008-D	11-1/2	405

REDUCERS (Concentric/Eccentric)

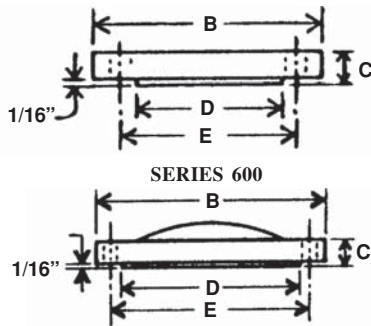
ANSI B16.1 Class 250



Size	Part No. (Concentric)	Part No. (Eccentric)	A	Weight
4 x 3	500F-0403-D	510F-0403-D	7	40
6 x 3	500F-0603-D	510F-0603-D	9	70
6 x 4	500F-0604-D	510F-0604-D	9	77
6 x 5	500F-0605-D	510F-0605-D	9	85
8 x 5	500F-0805-D	510F-0805-D	11	135
8 x 6	500F-0806-D	510F-0806-D	11	142
10 x 6	500F-1006-D	510F-1006-D	12	185
10 x 8	500F-1008-D	510F-1008-D	12	196
12 x 6	500F-1206-D	510F-1206-D	14	235
12 x 8	500F-1208-D	510F-1208-D	14	260
12 x 10	500F-1210-D	510F-1210-D	14	275

BLIND FLANGES

ANSI B16.1 Class 250

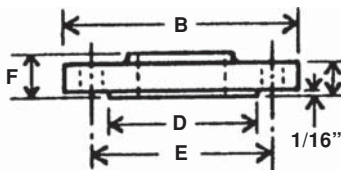


Dished faces for use with 10" and 12" extra heavy Blind Flanges.

Nominal Pipe Size	Flange Size	Part No.	C	B	D	E	Weight
3	3 x 8-1/4	600F-0303-D	1-3/16	8-1/4	5-11/16	6-5/8	14
4	4 x 10	600F-0404-D	1-1/4	10	6-15/16	7-7/8	25
6	6 x 12-1/2	600F-0606-D	1-7/16	12-1/2	9-11/16	10-5/8	43
8	8 x 15	600F-0808-D	1-5/8	15	1-15/16	13	69
10	10 x 17-1/2	600F-1010-D	1-7/8	17-1/2	14-1/16	15-1/4	100
12	12 x 20-1/2	600F-1212-D	2	20-1/2	16-7/16	17-3/4	148

THREADED FLANGES

ANSI B16.1 Class 250



SERIES 760

Nominal Pipe Size	Flange Size	Part No.	C	B	D	E	F	Weight
1	1 x 4-7/8	760F-0100-0488-D	11/16	4-7/8	2-11/16	3-1/2	7/8	3
1-1/4	1-1/4 x 5-1/2	760F-0125-0525-D	3/4	5-1/4	3-1/16	3-7/8	1	4
1-1/2	1-1/2 x 6-1/8	760F-0150-0612-D	13/16	6-1/8	3-5/16	4-1/2	1-1/8	6
2	2 x 6-1/2	760F-0200-0650-D	7/8	6-1/2	4-3/16	5	1-3/4	7
2-1/2	2-1/2 x 7-1/2	760F-0250-0750-D	1	7-1/2	4-15/16	5-7/8	1-7/16	10
3	3 x 8-1/4	760F-0300-0825-D	1-1/8	8-1/4	5-11/16	6-5/8	1-11/16	12.8
4	4 x 10	760F-0400-1000-D	1-1/4	10	6-15/16	7-7/8	1-3/4	22.5
6	6 x 12-1/2	760F-0600-1250-D	1-7/16	12-1/2	9-11/16	10-5/8	1-15/16	34.2
8	8 x 15	760F-0800-1500-D	1-5/8	15	11-15/16	13	2-3/16	55
10	10 x 17-1/2	760F-1000-1750-D	1-7/8	17-1/2	14-1/16	15-1/4	2-3/8	77
12	12 x 20 -1/2	760F-1200-2050-D	2	20-1/2	16-7/16	17-3/4	2-9/16	103

LIMITED WARRANTY & CONTACT INFORMATION

LIMITED WARRANTY

All products are warranted to be free of defects in material and workmanship for a period of one year from the date of shipment, subject to the limitations below. If the purchaser believes a product defective, the purchaser shall:

- (a) Notify the manufacturer, state the alleged defect and request permission to return the product,
- (b) If permission is given, return the product with transportation prepaid. If the product is accepted for return and found to be defective, the manufacturer will, at its discretion, either repair or

replace the product, f.o.b. factory, within 60 days of receipt, or refund the purchase price.

Other than to repair, replace or refund described above, the purchaser agrees that the manufacturer shall not be liable for any loses, costs, expenses or damages of any kind arising out of the product, its use, installation or replacement, labeling, instruction, information or technical data of any kind, description of product use, sample or model, warning, or lack of foregoing. No other warranties, written or oral,

expressed or implied, including the warranties of fitness for a particular purpose and merchantability, are made or authorized.

No affirmation of fact, promise, description of product use or sample or model shall create any warranty from the manufacturer, unless signed by the president. These products are not manufactured, sold or intended for personal, family or household purposes.

CONTACT INFORMATION

Please contact your local IFC representative or Islip Flow Controls

Toll Free: 1.866.872.0072 Toll Free Fax: 1.866.872.0073 Local Calls: 905.335.8777 Local Fax: 905.335.0977

Visit us on the web at: www.islipflowcontrols.com

ISLIP Flow Control products are designed to exacting specifications, and manufactured to the highest standards, resulting in an extensive range of flow controls that are built for dependability, and years of use. IFC's products are found around the globe. From Arizona to Australia, and Singapore to Saudi Arabia, ISLIP is there. We are the manufacturer of choice for professionals who know that quality, service and dependability equal success.



- **Metals & Mining**
- **Pulp & Paper**
- **Oil & Gas**
- **Exploration**
- **Chemicals**
- **Water Treatment**
- **Power Generation**

Whether it is a generating station or water authority in North America, a refining plant in Chile or off-shore explorations in Vietnam, IFC delivers solutions.

Contact us today. At ISLIP Flow Controls, our knowledge sets us apart.



Easy access to friendly help is always just a call or click away.

CANADA - 1145 Sutton Drive, Unit #3, Burlington, ON L7L 5Z8

Toll Free: 1.866.872.0072 Toll Free Fax: 1.866.872.0073 Local Calls: 905.335.8777 Local Fax: 905.335.0977

USA - PO Box 2989, Buffalo, NY 14240-2989

Visit us on the web at: www.islipflowcontrols.com

October 2008