



VIDEO FURNITURE INTERNATIONAL

Furniture Designs That Communicate.

PM-CMP, Camera Bracket upgrade

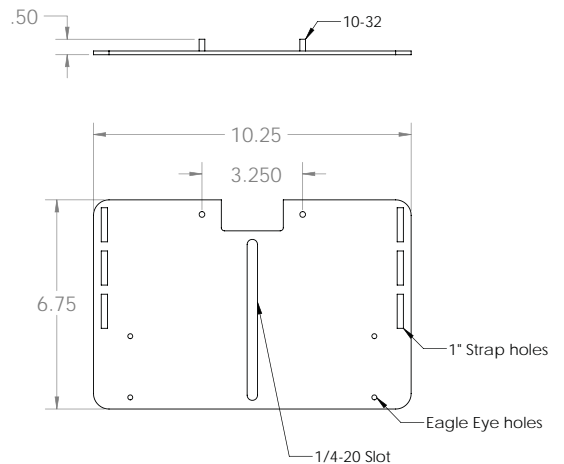
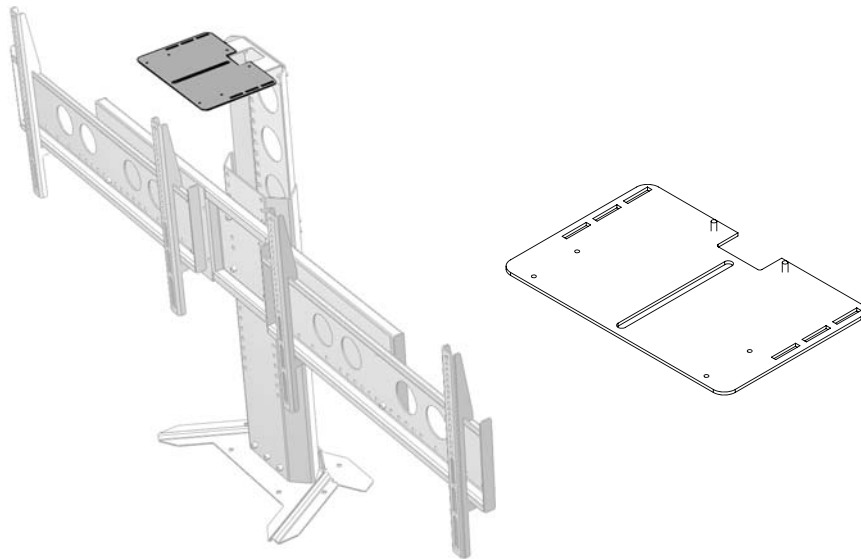
Model **PM-CMP** Codec Mounting Plate

Designed as an upgrade to the standard cam tongue. When a set mounted codec is required, the PM-CMP features a large surface designed to fit most of today's codecs and wide base cameras including Eagle Eye.

Slot holes for strap or large adjustable slot for 1/4-20 bolt.

Dimensions: 10 1/4" wide x 6 3/4" deep
Standard Features Include:

- Sturdy 11GA Steel
- Accomodates most codecs or wide cams
- Simple installation
- Black powder coat
- Fits PM-S, PM-D, PM-XL, PM-FL



Specifications:

MODEL

PM-CMP

BLACK

VFI can build or modify stock configurations to suit customer specifications. Please contact us to discuss how this service can help meet your needs. Some quantity restrictions may apply.

* Specification subject to change without notice.

* Computers, cameras, monitors, etc. are shown to illustrate product usage and are not included unless otherwise noted.

190 Don Hillock Drive . Aurora . Ontario . L4G 0G9

Tel: (905) 751-1459 Toll Free: (877) 834-3876 Fax: (905) 751-1488

sales@video-furn.com

www.video-furn.com