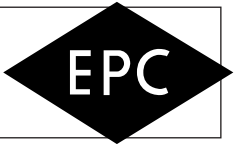






# Wrot & Cast Pressure Fittings Elbows




WROT	<b>90° Drop Elbow</b> Copper to Female N.P.T.		CAST <b>4707-3-5</b>	
 <span style="float: right;">C x F</span>				
Nominal Size In Inches	Part Number	Box Quantity	Master Pack	Approx. Net Wt.
**3/8	35438	50	500	0.120
**1/2	35440	25	200	0.160
**3/4	35445	20	120	0.250
**1	35447	-	50	0.490
**3/8 x 1/2	35439	25	200	0.190
**1/2 x 3/8	35444	50	300	0.110
**3/4 x 1/2	35446	25	100	0.240

WROT	<b>90° Union Elbow</b> Copper to Male N.P.T.		CAST <b>4707-4-6</b>	
 <span style="float: right;">C x M</span>				
Nominal Size In Inches	Part Number	Box Quantity	Master Pack	Approx. Net Wt.
**1/2	35533	10	100	0.300
**3/4	35534	10	100	0.490
**1	35535	-	50	0.730

WROT	<b>90° CxM Elbow</b> Copper to Male N.P.T.		CAST <b>4707-4</b>	
 <span style="float: right;">C x M</span>				
Nominal Size In Inches	Part Number	Box Quantity	Master Pack	Approx. Net Wt.
**3/8	35360	50	500	0.080
**1/2	35365	30	240	0.120
**3/4	35370	30	180	0.220
**1	35376	-	120	0.390
**1 1/4	35380	-	50	0.560
**1 1/2	35386	-	40	0.750
**2	35390	-	20	1.380
**1/2 x 3/4	35367	25	225	0.180
**1/2 x 3/8	35368	50	400	0.100
**3/4 x 1	35372	25	100	0.320
**3/4 x 1/2	35373	20	240	0.180
**1 x 3/4	35378	20	120	0.313

WROT	<b>90° Drop Ear Elbow</b> Copper to Copper		CAST <b>4707-5</b>	
 <span style="float: right;">C x C</span>				
Nominal Size In Inches	Part Number	Box Quantity	Master Pack	Approx. Net Wt.
**1/2	35424	50	300	0.117
**3/4	35426	25	150	0.228

WROT	<b>90° Hi-Ear Elbow</b> Copper to Copper		CAST <b>4707-5-1</b>	
 <span style="float: right;">C x C</span>				
Nominal Size In Inches	Part Number	Box Quantity	Master Pack	Approx. Net Wt.
**1/2	35458	50	300	0.128
**3/4	35459	25	150	0.210

\*\* Cast Bronze Only

\*Factory Option—consult factory for price and delivery information.