
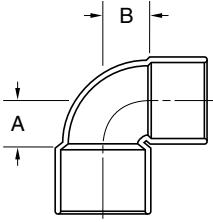

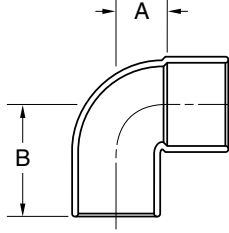

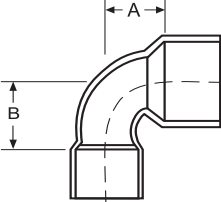

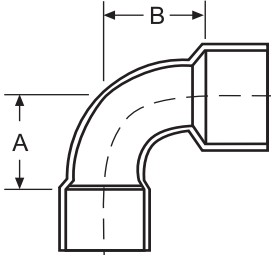


WROT		90° Elbow-Medium Turn			CAST	
107-MT		Copper to Copper				
						
Nominal Size In Inches	Part Number	Box Quantity	Master Pack	Approx. Net Wt.	Dim. A	Dim. B
1/8	31510	50	1000	0.010	3/8	3/8
1/4	31512	50	1000	0.016	3/8	3/8
3/8	31516	50	1000	0.043	1/2	1/2
1/2	31522	50	500	0.068	19/32	19/32
5/8	31530	25	250	0.109	7/8	7/8
3/4	31536	25	250	0.141	13/16	13/16
1	31542	10	100	0.252	1	1

WROT		90° Street Elbow -Medium Turn			CAST	
107-MT-2		Fitting to Copper				
						
Nominal Size In Inches	Part Number	Box Quantity	Master Pack	Approx. Net Wt.	Dim. A	Dim. B
1/8	31560	50	1000	0.010	3/8	3/4
1/4	31562	50	1000	0.017	3/8	3/4
3/8	31566	50	1000	0.044	1/2	15/16
1/2	31572	50	500	0.066	19/32	1 3/16
5/8	31578	25	250	0.104	7/8	1 1/2
3/4	31584	25	250	0.146	13/16	1 5/8
1	31590	10	100	0.271	1 1/16	2 1/32

WROT		90° Reducer Elbow-Close Ruff			CAST	
107-CR		Copper to Copper			4707	
						
Nominal Size In Inches	Part Number	Box Quantity	Master Pack	Approx. Net Wt.	Dim. A	Dim. B
3/8 x 1/4	31268	50	1000	0.027	5/8	39/64
1/2 x 3/8	31274	50	500	0.041	43/64	5/8
1/2 x 1/4	31276	50	500	0.034	11/16	43/64
5/8 x 1/2	31282	25	250	0.077	31/32	7/8
3/4 x 1/2	31290	50	500	0.085	5/8	15/32
1 x 3/4	31298	25	250	0.146	3/4	19/32
1 x 1/2	31300	25	250	0.129	1 1/8	7/8
1 1/4 x 1	31308	10	100	0.229	7/8	11/16
** 1 1/4 x 3/4	35212	15	90	0.338	-	-
** 1 1/4 x 1/2	35214	20	120	0.280	-	-
** 1 1/2 x 1 1/4	31316	10	100	0.338	1 9/64	55/64
** 1 1/2 x 1	35218	-	60	0.540	-	-
** 1 1/2 x 3/4	35220	-	72	0.455	-	-
** 1 1/2 x 1/2	35222	12	72	0.380	-	-
2 x 1 1/2	31324	5	40	0.602	1 1/2	1 13/64
** 2 x 1 1/4	35226	-	25	0.880	-	-
** 2 x 1	35228	-	30	0.780	-	-
** 2 x 3/4	35229	-	30	0.660	-	-
2 1/2 x 2	31332	5	40	1.128	1 7/8	1 1/2
3 x 2 1/2	31340	3	24	1.598	2 3/32	1 3/4
** 3 x 2	35242	-	20	2.753	-	-
4 x 3	31354	1	8	3.313	2 11/16	2
* 5 x 4	31362	1	6	6.542	3 13/32	2 17/32
* 6 x 4	31370	1	6	8.091	3 7/8	2 17/32

WROT		90° Reducer Elbow			CAST	
107-R		Copper to Copper				
						
Nominal Size In Inches	Part Number	Box Quantity	Master Pack	Approx. Net Wt.	Dim. A	Dim. B
3/8 x 1/4	31674	50	1000	0.027	39/64	5/8
1/2 x 3/8	31678	50	500	0.042	5/8	43/64
5/8 x 1/2	31686	25	250	0.077	7/8	31/32
3/4 x 3/8	31698	50	500	0.073	11/16	27/32
3/4 x 1/2	31696	50	500	0.086	7/8	7/8
3/4 x 5/8	31694	25	250	0.113	1 1/16	1 5/32
1 x 3/4	31710	25	250	0.170	1 9/64	1 1/4
1 1/2 x 1	31734	5	50	0.350	1 13/32	1 11/16
1 1/2 x 1 1/4	31732	5	50	0.480	2	2 1/4
2 x 1 1/2	31742	5	40	0.754	2 3/16	2 5/16