



**"THE INCH FOR CLEAN ROOMS"
 AUTOMATIC SPRINKLERS
 ONE INCH ADJUSTABLE
 CONCEALED PENDENT
 MODEL GL5653**

DESCRIPTION AND OPERATION

The Globe GL5653 Adjustable Concealed Pendent Sprinkler has a low profile, aesthetically pleasing design. It offers the additional feature of greatly increased safety to life, and it should be used advisedly under the direction of approving authorities having jurisdiction. The sprinkler is available with a nominal 1" of adjustment and a low profile cover plate assembly. All that is seen at the ceiling is a 3 3/8" diameter ceiling plate color finished to match the specifier's exact requirements. The GL Series Concealed Sprinkler may be virtually invisible as it does not interrupt the "smooth flow" of the ceiling.

The provided protective cap needs to be removed in order to install the sprinkler with the proper wrench. The protective cap must be replaced on the sprinkler until the time the cover plate is to be installed. The "push on - screw off" designed cover plate is easily installed with a nominal 1" inch of adjustment.

Operation of the sprinkler occurs when heat build up causes the solder holding the cover plate to the support shell to melt allowing the cover plate to fall clear. Continued heat build up causes the glass bulb to burst allowing the deflector to drop down and distribute water in an approved pattern.

FEATURES

- Cover Plate with a gasket seal assembly for dust free environment, such as "Clean Rooms"
- Nominal 1" of Adjustment

APPROVALS

- cULus

TECHNICAL DATA

- Temperature Ratings -
 - 135°F (57°C) Sprinkler, 135°F (57°C) Cover Plate
 - 155°F (68°C) Sprinkler, 135°F (57°C) Cover Plate
 - 155°F (68°C) Sprinkler, 155°F (68°C) Cover Plate
 - 175°F (79°C) Sprinkler, 155°F (68°C) Cover Plate
 - 200°F (93°C) Sprinkler, 155°F (68°C) Cover Plate
- Water Working Pressure Rating - 175 psi (12 Bars)
- Factory tested hydrostatically to 500 psi (34 Bars)
- Maximum low temperature glass bulb rating is -67°F (-55°C)
- Frame - bronze • Deflector - brass • Screw - brass • Bulb seat - brass • Spring - nickel alloy • Seal - teflon • Bulb - glass with glycerin based solution, 5mm size • Drop Pin - stainless steel
- Cover Plate - brass Upper Escutcheon Assembly - plated steel
- Gasket Seal - Santoprene

NOTE: *Globe's wrench P/N 332765 must be used to install the sprinkler.*

•SPRINKLER TEMPERATURE RATING/CLASSIFICATION and COLOR CODING

CLASSIFICATION	AVAILABLE SPRINKLER TEMPERATURES		BULB COLOR	N.F.P.A. MAXIMUM TEMPERATURE	CEILING
ORDINARY	135°F/155°F	57°C/68°C	ORANGE/RED	100°F	38°C
INTERMEDIATE	175°F/200°F	79°C/93°C	YELLOW/GREEN	150°F	66°C



*2 3/4" diameter plate with
 3 3/8" diameter gasket seal
 WHITE OR CHROME
 ADJUSTABLE "CLEAN ROOM"
 CONCEALED PENDENT*

AUTOMATIC SPRINKLERS MODEL GL5653 ADJUSTABLE CONCEALED PENDENT

SPECIFICATIONS

NOMINAL "K" FACTOR		THREAD SIZE	LENGTH	FINISHES
5.6	(80 metric)	1/2" NPT	2 1/2" (6.4 cm)	Bright Chrome White Painted Other Painted Finishes ¹ (Gasket color White only)

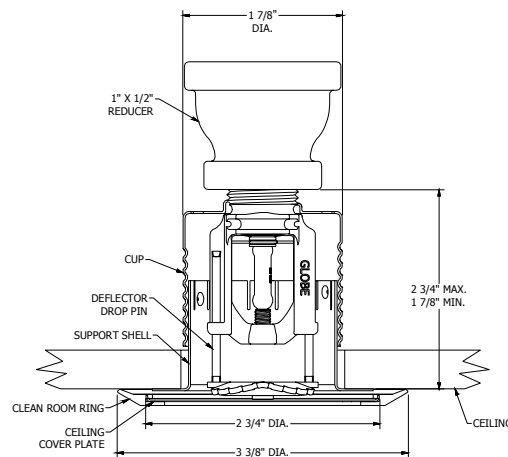
NOTE: METRIC CONVERSIONS ARE APPROXIMATE.

¹FINISHES AVAILABLE ON SPECIAL ORDER.

APPROVALS

STYLE	SIN MODEL	K FACTOR	135°F (57°C) with plate 135°F (57°C)	155°F (68°C) with plate 135°F (57°C)	155°F (68°C) with plate 155°F (68°C)	175°F (79°C) with plate 155°F (68°C)	200°F (93°C) with plate 155°F (68°C)	cULus
Adjustable Concealed Pendent	GL5653	5.6	X	X	X	X	X	X

CROSS SECTION



WHITE 135°F PART #	WHITE 155°F PART #	CHROME 135°F PART #	CHROME 155°F PART #	MIN. CEILING HOLE DIA.
332737	332738	332739	332740	2 1/4"

ORDERING INFORMATION SPECIFY

- Quantity • Model Number • Style
- Orifice • Thread Sizes • Temperature
- Finishes desired
- Quantity - Adjustable Concealed Wrenches - P/N 332765

GLOBE® PRODUCT WARRANTY

Globe agrees to repair or replace any of its own manufactured products found to be defective in material or workmanship for a period of one year from date of shipment.

For specific details of our warranty, please refer to Price List Terms and Conditions of Sale (Our Price List).



4077 AIRPARK DRIVE, STANDISH, MICHIGAN 48658

989-846-4583

1-800-248-0278

FAX 989-846-9231

www.globesprinkler.com