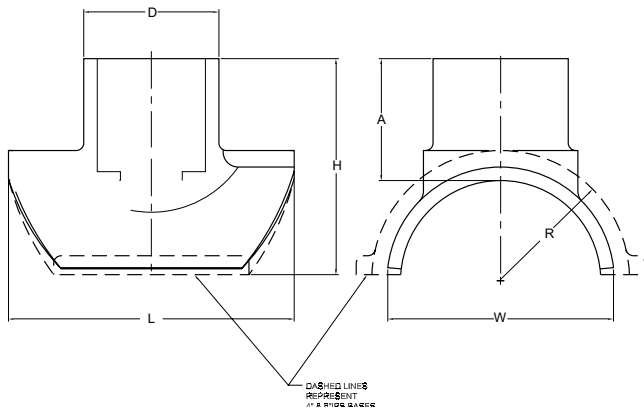


# Electrofusion Fittings: Branch Saddles



Branch Saddle w/4" Outlet



## BRANCH SADDLE DIMENSIONS: 4" OUTLET

Nominal Base Size	A	D	H	W	L
4" IPS	3.85	4.50	6.00	7.00	8.38
6" IPS	4.14	4.50	7.20	9.63	9.13
Multi-Base	4.14	4.50	7.00	7.56	9.13

## (PE2406/PE2708) ELECTROFUSION BRANCH SADDLES (full pressure)

Outlet Size	Main Size	Pin Type	Clamp Type	Part Number	Pack. Qty.	Wt.	CSA
4" IPS	4" IPS	4.7 R	D	5757124	8	2.10	YES
4" IPS	6" IPS	4.7 R	E	5757125	8	3.72	YES

Call for availability of other sizes and dimensions.

4.7R = 4.7 Pin with Resistor

4.7S = 4.7 Solid Pin