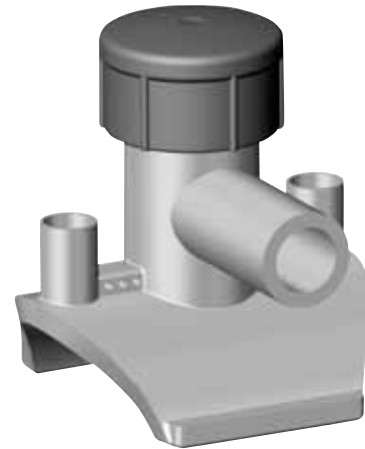


Electrofusion Fittings: Tapping Tees (EFTT) w/Butt Outlet



(PE3408/PE4710) ELECTROFUSION TAPPING TEE w/Butt Outlet & Brass Cutters

Outlet Size	Main Size	Cutter Size Material	Pin Type	Clamp Type	Part No.	Pack. Qty.	Wt.	AWWA
¾" IPS	1¼" IPS	0.8 / Brass	4.7 R	A	call	-	-	-
¾" IPS	2" IPS	0.8 / Brass	4.7 R	B	10006028	40	0.91	YES
¾" IPS	3" IPS	0.8 / Brass	4.7 R	C	10004781	40	0.16	YES
¾" IPS	4" IPS/DIPS	0.8 / Brass	4.7 R	D/L	10004794	30	1.00	YES
¾" IPS	6" IPS/DIPS	0.8 / Brass	4.7 R	E/M	10006029	20	1.19	YES
¾" IPS	8"-10" IPS/DIPS	0.8 / Brass	4.7 R	H	10004592	40	0.85	YES
1" CTS	1¼" IPS	0.8 / Brass	4.7 R	A	10004765	-	-	-
1" CTS	2" CTS	0.8 / Brass	4.7 R	AB	call	-	-	-
1" CTS	2" IPS	0.8 / Brass	4.7 R	B	10003085	30	0.83	YES
1" CTS	3" IPS	0.8 / Brass	4.7 R	C	10004845	40	0.88	YES
1" CTS	4" IPS/DIPS	0.8 / Brass	4.7 R	D/L	10007380	30	1.00	YES
1" CTS	6" IPS/DIPS	0.8 / Brass	4.7 R	E/M	5757760	20	1.19	YES
1" CTS	8"-10" IPS/DIPS	0.8 / Brass	4.7 R	H	10008645	40	0.85	YES
1" IPS	1¼" IPS	0.8 / Brass	4.7 R	A	call	-	-	-
1" IPS	2" IPS	0.8 / Brass	4.7 R	B	10004790	40	0.85	YES
1" IPS	2" IPS	0.8 / Brass	4.7 R	Underpart	10009410			YES
1" IPS	3" IPS	0.8 / Brass	4.7 R	C	10004810	40	0.91	YES
1" IPS	4" IPS/DIPS	0.8 / Brass	4.7 R	D/L	10004828	30	1.00	YES
1" IPS	4" IPS/DIPS	0.8 / Brass	4.7 R	Underpart	10009411			YES
1" IPS	6" IPS/DIPS	0.8 / Brass	4.7 R	E/M	10004587	20	1.20	YES
1" IPS	8"-10" IPS/DIPS	0.8 / Brass	4.7 R	H	10003798	40	0.85	YES

Call for availability of other sizes and dimensions.

4.7R = 4.7 Pin with Resistor

4.7S = 4.7 Solid Pin