



**QUICK RESPONSE
EXTENDED COVERAGE
LIGHT HAZARD
AUTOMATIC SPRINKLERS
MODELS GL8128, GL8129
HORIZONTAL SIDEWALL**

DESCRIPTION AND OPERATION

The Globe Quick Response Models GL8128 and GL8129 Extended Coverage Horizontal Sidewall Sprinklers are a low profile yet durable design which utilizes a 3mm frangible glass ampule as the thermosensitive element. This provides sprinkler operation approximately six times faster than ordinary sprinklers. While this Quick Response Sprinkler provides an aesthetically pleasing appearance, it can be installed wherever standard extended coverage horizontal sprinklers are specified; but offers the additional feature of greatly increased safety to life. Quick Response Sprinklers should be used advisedly and under the direction of approving authorities having jurisdiction, in accordance with their listings and in accordance with NFPA 13.

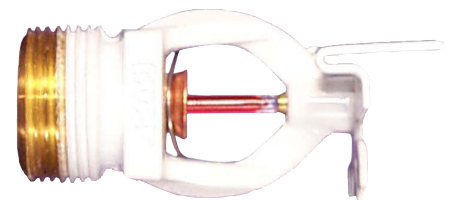
The heart of Globe's Model GL Series sprinkler proven actuating assembly is a hermetically sealed frangible glass ampule that contains a precisely measured amount of fluid. When heat is absorbed, the liquid within the bulb expands increasing the internal pressure. At the prescribed temperature the internal pressure within the ampule exceeds the strength of the glass causing the glass to shatter. This results in water discharge which is distributed in an approved pattern depending upon the deflector style used.

TECHNICAL DATA

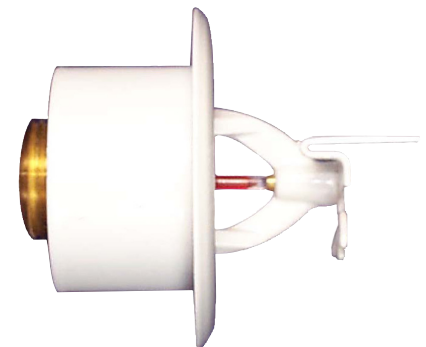
- See reverse side for Approvals and Specifications.
- Temperature Rating - 135°F (57°C), 155°F (68°C), 175°F (79°C), 200°F (93°C).
- Water Working Pressure Rating - 175 psi (1207 kPa).
- Factory tested hydrostatically to 500 psi (3448 kPa).
- Maximum low temperature glass bulb rating is -67°F (-55°C).
- Frame - bronze • Deflector - brass • Screw - brass
- Bulb seat - copper • Spring - nickel alloy • Seal - teflon
- Bulb - glass with alcohol based solution, 3mm size.
- Escutcheon Assembly - steel

• SPRINKLER TEMPERATURE RATING/CLASSIFICATION and COLOR CODING

CLASSIFICATION	AVAILABLE SPRINKLER TEMPERATURES	BULB COLOR	N.F.P.A. MAXIMUM CEILING TEMPERATURE
ORDINARY	135°F / 155°F 57°C / 68°C	ORANGE/RED	100°F 38°C
INTERMEDIATE	175°F / 200°F 79°C / 93°C	YELLOW/GREEN	150°F 66°C



**QUICK RESPONSE
EXTENDED COVERAGE
HORIZONTAL SIDEWALL**



**QUICK RESPONSE
RECESSED
EXTENDED COVERAGE
HORIZONTAL SIDEWALL**

QUICK RESPONSE
EXTENDED COVERAGE
LIGHT HAZARD
AUTOMATIC SPRINKLERS
MODELS GL8128, GL8129
HORIZONTAL SIDEWALL

SPECIFICATIONS

NOMINAL "K" FACTOR	THREAD SIZE	LENGTH	FINISHES
8.1 (116 metric)	3/4" NPT	3" (7.6 cm)	Factory Bronze *Satin Chrome Bright Chrome White Polyester+ Black Polyester+ *Lead Coated

NOTE: METRIC CONVERSIONS ARE APPROXIMATE.

*FINISHES AVAILABLE ON SPECIAL ORDER.
 +AVAILABLE AS cULus LISTED CORROSION RESISTANT WHEN SPECIFIED ON ORDER.

APPROVALS

STYLE	SIN MODEL	K FACTOR	135°F 57°C	155°F 68°C	175°F 79°C	200°F 93°C	cULus	NYC - DOB MEA 101-92-E
SIDEWALL	GL 8128	8.1	X	X	X	X	X	X
	GL8129	8.1	X	X	X	X	X	X

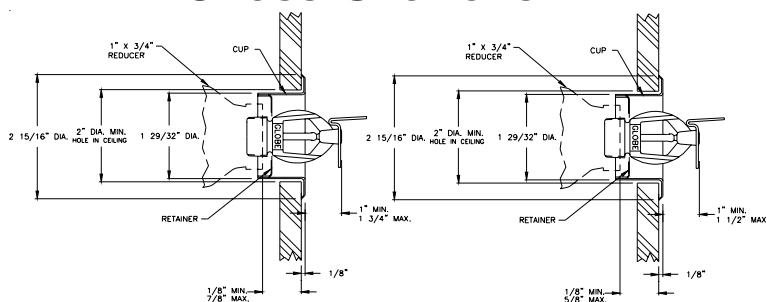
U.L. LISTING DESIGN - USE REQUIREMENTS FOR LIGHT HAZARDS

SIN MODEL*	STYLE	TEMPERATURE	CEILING TO DEFLECTOR DISTANCE	WIDTH OF COVERAGE	LENGTH OF COVERAGE	MIN. PRESSURE P.S.I.	FLOW IN G.P.M.
GL8128	Standard & Recessed	135°F / 57°C	4" TO 6"	16'	16'	10.3	26
		155°F / 68°C			18'	12.8	29
GL8129	Standard & Recessed	135°F / 57°C	6" TO 12"	16'	16'	10.3	26
		155°F / 68°C			18'	12.8	29
GL8128	Standard & Recessed	135°F / 57°C	4" TO 6"	16'	20'	16.6	33
GL8129			6" TO 12"				
GL8128	Standard	175°F / 79°C	4" TO 6"	16'	20'	16.6	33
GL8129			6" TO 12"				
GL8128	Standard & Recessed	135°F / 57°C	4" TO 6"	16'	**22'	20.8	37
GL8129			6" TO 12"		**24'	26.8	42

*MINIMUM 6' SPRINKLER SPACING.

**LISTED WITH RECESSED CUP WITH 1/2" ADJUSTMENT.

CROSS SECTIONS



ORDERING INFORMATION

- SPECIFY**
- Quantity • Model Number • Style
 - Orifice • Temperature • Finishes desired
 - Quantity - Wrenches - P/N 312366
 - Quantity - Recessed Wrenches - P/N 325401, Rev. D
 - Quantity - Protective Caps - P/N 327109-CAP (Friction Fit Recessed)

GLOBE® PRODUCT WARRANTY

Globe agrees to repair or replace any of its own manufactured products found to be defective in material or workmanship for a period of one year from date of shipment.

For specific details of our warranty please refer to Price List Terms and Conditions of Sale (Our Price List).



4077 AIRPARK DRIVE, STANDISH, MICHIGAN 48658
 989-846-4583 FAX 989-846-9231
 1-800-248-0278 www.globesprinkler.com