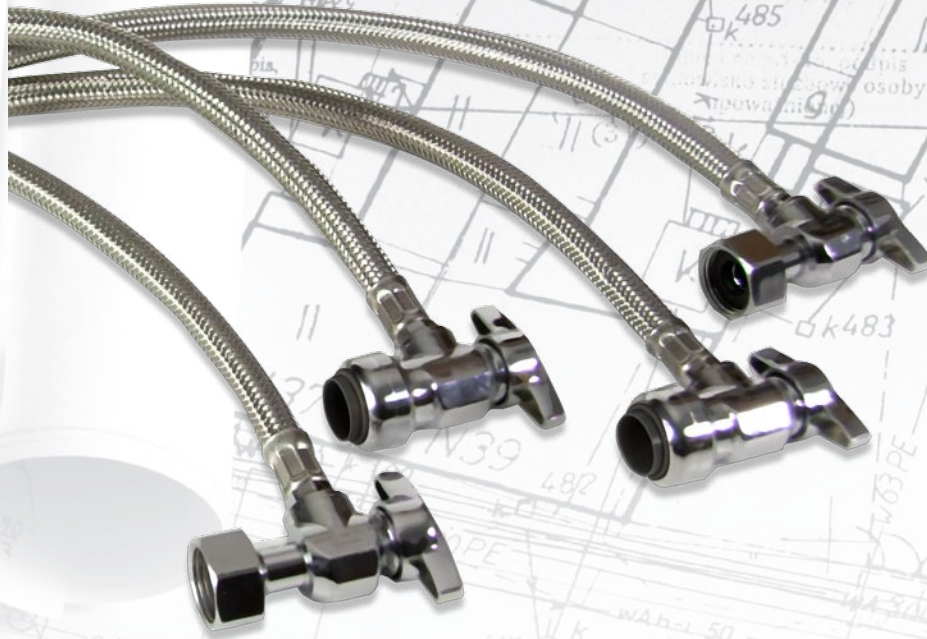


QUARTER-TURN SUPPLY LINE

A NEW TWIST ON ANGLE STOPS

New!



The Quarter-Turn Supply Line provides an Angle Stop and Supply Line in one piece – complete and ready to install – for toilets and faucets.

FAST

With the Quarter-Turn Supply Line from EPC, the angle stop and supply line are integrated into one piece, so there is only one part number to purchase. Installation is fast with only two connection points. The TECTITE™ push-on fittings make it even faster!

SIMPLE

Whether you are working on a toilet or faucet, there are only two part numbers to consider. A simple push or twist will have you connected in no time.

FLEXIBLE

The Quarter-Turn Supply Line is available for toilet and faucet installations and connects to Copper, CPVC, PEX, or Threaded Pipe.

- One-piece angle stop and supply line
- Two connection types – TECTITE™ and NPT
- 1/2" NPT fitting includes 3/8" removable bushing
- Only four part numbers
- Braided stainless steel supply line
- Conical washer with support collar
- Swivel/nut connector
- Quarter-turn valve design
- No special installation tools required
- No-lead design



SMALL INVENTORY COMMITMENT
Four part numbers cover all applications



HEAT FREE
Reduces fire hazard
Utilizes push-fit technology



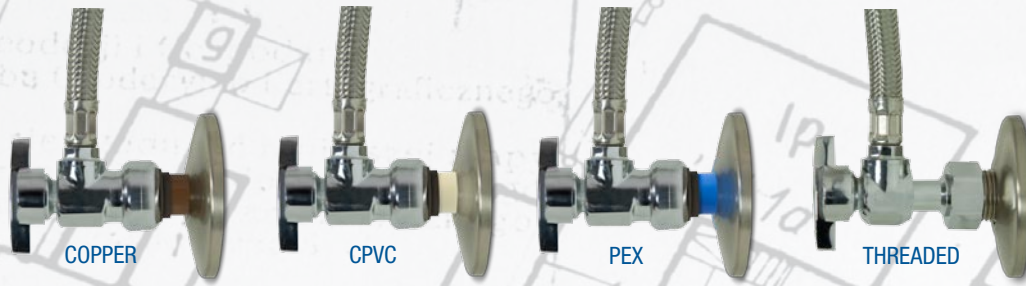
CLEAN
No glues, fluxes, or solder needed



NO CONSUMABLE MATERIALS
Reduces material cost and storage

Elkhart Products Corporation
For the perfect fit

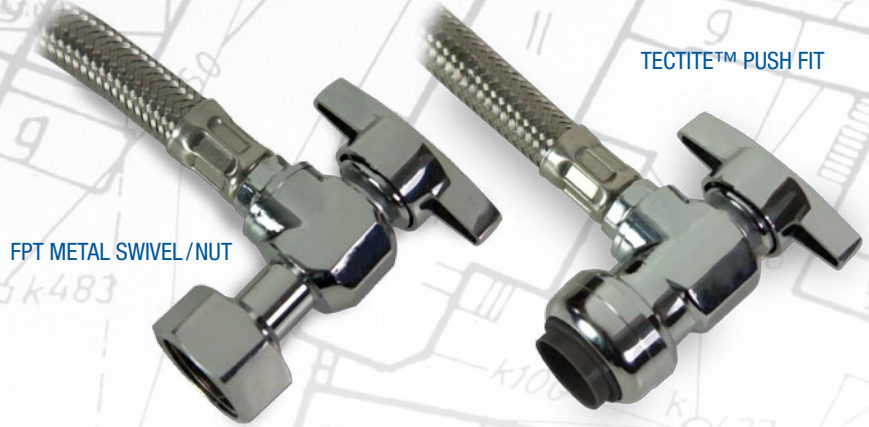




Product Specifications

Quarter-Turn Supply Line fittings are designed to operate at temperatures from 40° to 150°F at a maximum working pressure of 125 psi with potable water. Fittings are designed for use with ASTM B88 hard drawn and annealed Copper tube, Type K, L, or M, in the 1/2" size; CPVC water tube per ASTM D2846/2846M-99 in the 1/2" size; PEX water tube per ASTM F876, F877 in the 1/2" size using a tube liner designed by EPC (provided); and Threaded Pipe in the 1/2" and 3/8" size.

Product Portfolio



	FAUCETS		TOILETS	
Item Number	10172999	10172997	10172995	10172993
Inlet Type	1/2" TECTITE™ Push Fit	1/2" FPT Metal Swivel/Nut	1/2" TECTITE™ Push Fit	1/2" FPT Metal Swivel/Nut
Riser End	1/2" FPT Metal Swivel/Nut, 1/2-14 NPS Thread, EPDM Cone Washer	1/2" FPT Metal Swivel/Nut, 1/2-14 NPS Thread, EPDM Cone Washer	7/8" Ballcock Plastic Swivel/Nut, EPDM Cone Washer	7/8" Ballcock Plastic Swivel/Nut, EPDM Cone Washer
Riser Length	22"	22"	16"	16"
Riser Material	12mm, Braided SS, PVC Liner	12mm, Braided SS, PVC Liner	12mm, Braided SS, PVC Liner	12mm, Braided SS, PVC Liner
Valve Type	Quarter Turn	Quarter Turn	Quarter Turn	Quarter Turn
Product Marking	On valve exterior surface	On valve exterior surface	On valve exterior surface	On valve exterior surface
Regulations	NSF 61-G, AB1953, cUPC	NSF 61-G, AB1953, cUPC	NSF 61-G, AB1953, cUPC	NSF 61-G, AB1953, cUPC
Valve Finish	Chrome Plated Low Lead Brass	Chrome Plated Low Lead Brass	Chrome Plated Low Lead Brass	Chrome Plated Low Lead Brass
Nut Finish	Chrome Plated Low Lead Brass	Chrome Plated Low Lead Brass	Chrome Plated Low Lead Brass	Chrome Plated Low Lead Brass
Accessories (included)	PEX Insert	3/8" Bushing, 3/8-18 NPS Thread	PEX Insert	3/8" Bushing, 3/8-18 NPS Thread

LL For more information on Low Lead products, visit EPC's website at www.elkhartproducts.com

Accessories

PEX Inserts
Used for all PEX pipe applications
1/2" — 10165824



Removal Tool
Makes removing all TECTITE™ fittings easy
1/2" — 10165630



Elkhart Products Corporation
For the perfect fit



For more information visit our website at www.elkhartproducts.com