

Fig. 202

Iron Side Beam Bracket

Size Range: $\frac{3}{8}$ " through $\frac{5}{8}$ "

Material: Malleable iron

Finish: Plain or Galvanized

Service: Recommended for attachment to steel or wooden beams, etc.

Approvals: Complies with Federal Specification A-A-1192A (Type 34) WW-H-171-E (Type 35), ANSI/MSS SP-69 and MSS SP-58 (Type 34).

UL, ULC Listed and FM Approved (Sizes $\frac{3}{8}$ " for use on wooden and steel beams and $\frac{1}{2}$ " for use on steel beams).

Features: An economical, practical and adjustable means of securing hangers to beams, etc.

Ordering: Specify rod size, figure number, name and finish.

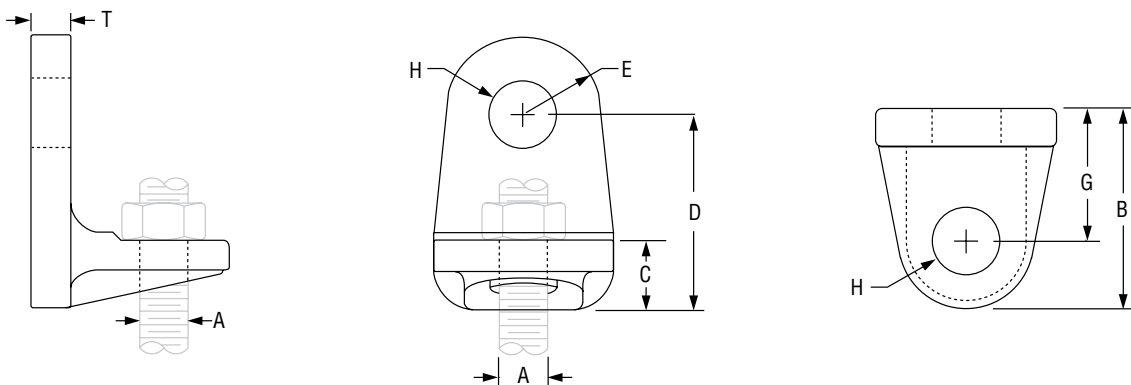


FIG. 202: LOAD (LBS) • WEIGHT (LBS) • DIMENSIONS (IN)

Rod Size A	Max Load ■		Weight	B	C	D	E	Hole Dia. H	G	T
	With Lag Screw	With Bolt to Steel								
$\frac{3}{8}$	390	730	0.26	$1\frac{1}{8}$	$\frac{5}{8}$	$1\frac{1}{16}$	$\frac{17}{32}$	$\frac{7}{16}$	$\frac{7}{8}$	$\frac{1}{4}$
$\frac{1}{2}$	640	1,350	0.54	$1\frac{13}{16}$	$\frac{3}{4}$	$1\frac{1}{8}$	$2\frac{1}{32}$	$\frac{9}{16}$	$1\frac{3}{16}$	$1\frac{11}{32}$
$\frac{5}{8}$	760	2,160	0.94	$2\frac{3}{16}$	$\frac{7}{8}$	$2\frac{1}{8}$	$\frac{7}{8}$	$\frac{3}{4}$	$1\frac{1}{16}$	$\frac{7}{16}$

■ Maximum temperature of 450° F.