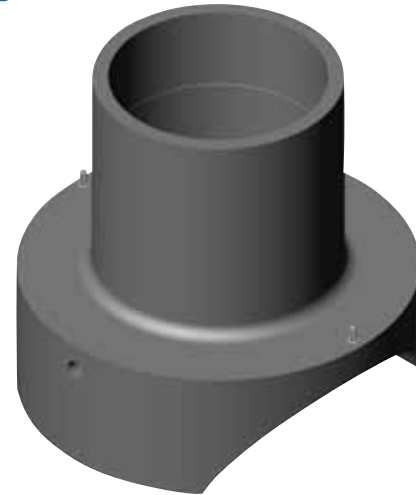
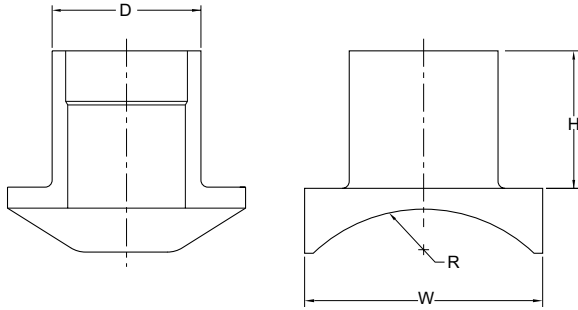


Electrofusion Fittings: Branch Saddles

NOTE: These have a restricted pressure rating limited to 50 psi.



Branch Saddle Drawing 4: w/6" & 8" Butt Outlet

Call for availability of other sizes and dimensions.

4.7R = 4.7 Pin with Resistor

4.7S = 4.7 Solid Pin

BRANCH SADDLE DIMENSIONS: 6" & 8" BUTT OUTLET

Nominal Base Size	A	D	H	W	L
6" IPS DR 17	*	6.62	6.00	10.60	*
8" IPS DR 11	*	8.62	6.00	10.60	*

(PE3408/PE4710) ELECTROFUSION BRANCH SADDLES

Outlet Size	Main Size	Pin Type	Clamp Type	Part Number	Pack. Qty.	Wt.	AWWA
4" IPS	Multi-Base 8"-10"	3 Pin Resistor	J	5750808	1	2.90	-
6" IPS	10" IPS	4.7 S	K	10009202	1	5.60	-
6" IPS	12" IPS	4.7 S	K	10009203	1	5.60	-
6" IPS	14" IPS	4.7 S	K	10009105	1	5.60	-
6" IPS	16" IPS	4.7 S	K	10009106	1	5.07	-
6" IPS	18" IPS	4.7 S	K	10009107	1	5.99	-
6" IPS	20" IPS	4.7 S	K	10009108	1	4.99	-
6" IPS	22" IPS	4.7 S	K	10009136	1	5.62	-
6" IPS	24" IPS	4.7 S	K	10009109	1	5.62	-
6" IPS	30" IPS	4.7 S	K	10009110	1	5.60	-
6" IPS	32" IPS	4.7 S	K	5758416	1	5.78	-
6" IPS	36" IPS	4.7 S	K	10009113	1	5.50	-
6" IPS	42" IPS	4.7 S	K	10009114	1	5.36	-
6" IPS	48" IPS	4.7 S	K	10009115	1	5.30	-
8" IPS	10" IPS	4.7 S	K	10009200	1	8.75	-
8" IPS	12" IPS	4.7 S	K	10009201	1	7.94	-
8" IPS	14" IPS	4.7 S	K	10009093	1	7.83	-
8" IPS	16" IPS	4.7 S	K	10009094	1	8.00	-
8" IPS	18" IPS	4.7 S	K	10009095	1	7.27	-
8" IPS	20" IPS	4.7 S	K	10009096	1	7.89	-
8" IPS	22" IPS	4.7 S	K	10009138	1	7.89	-
8" IPS	24" IPS	4.7 S	K	10009097	1	7.55	-
8" IPS	26" IPS	4.7 S	K	10009132	1	7.98	-
8" IPS	30" IPS	4.7 S	K	10009098	1	7.98	-
8" IPS	32" IPS	4.7 S	K	10009099	1	7.89	-
8" IPS	36" IPS	4.7 S	K	10009101	1	8.15	-
8" IPS	42" IPS	4.7 S	K	10009102	1	8.37	-
8" IPS	48" IPS	4.7 S	K	10009103	1	8.63	-