



# SWING CHECK VALVE STANDARD & "SHOTGUN" MODEL RCV GROOVE/GROOVE 2", 2 1/2", 65MM, 3", 4", 6", & 150MM SIZES

## DESCRIPTION AND OPERATION

Globe Model RCV Swing Check Valves feature a swing type clapper designed for use in fire sprinkler or other types of water piping systems that incorporate grooved connecting pipe ends. They are effectively used when it is necessary to permit water flow in one direction only, preventing flow in the reverse direction (non-return). Because the RCV incorporates a spring-loaded clapper assembly, it may be installed in either the vertical or horizontal position. Most commonly, it is used with various configurations of fire department connections for fire sprinkler systems, by-pass connections, gravity pressure tank and, pump discharge in connections from public water supplies to automatic sprinkler systems, etc.

As an alternative to using an alarm check valve with a wet sprinkler system, an RCV Swing Check Valve may be used in a "Shotgun" arrangement whereby the valve is trimmed in a similar manner but utilizes an electric water flow switch and alarm bell instead of a water motor gong for fire notification.

The body of the Globe RCV Swing Check Valve is constructed of high tensile strength cast iron having considerable ductility to reduce damage in field handling. It meets the ASTM A126 Class B rating. The RCV clapper assembly is made of stainless steel and has an E.P.D.M. rubber facing. The RCV incorporates a special stainless steel spring assembly which allows its use in the downward flow direction. It effectively provides a leak tight seal against back pressures greater than one (1) psi.



**MODEL RCV  
SWING CHECK VALVE**

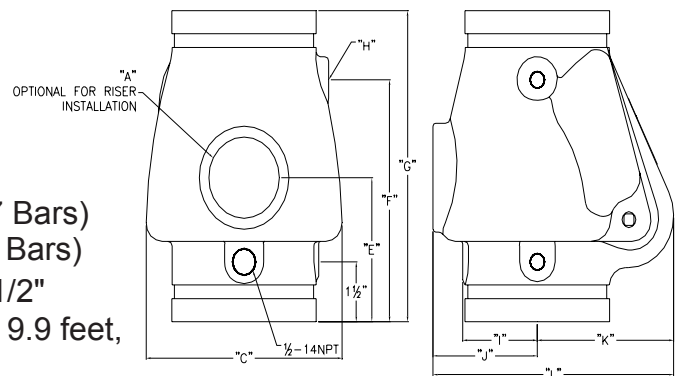
## APPROVALS

- cULus Listed
- FM Approved
- NYC-DOB MEA 305-05-E

## TECHNICAL DATA

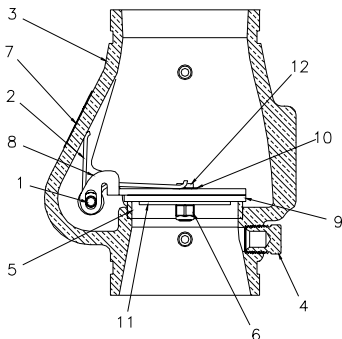
- Water Working Pressure Rating - 300 psi (20.7 Bars)
- Factory tested hydrostatically to 600 PSI (41.4 Bars)
- Equivalent feet of pipe: 2" Valve = 7.2 feet, 2 1/2" Valve = 7.2 feet, 3" Valve = 7.2 feet, 4" Valve - 9.9 feet, 6" Valve = 16.1 feet

## PHYSICAL DIMENSIONS

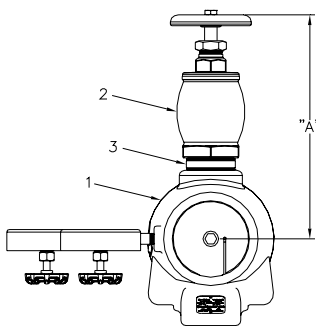


| SIZE   | A      | C      | E      | F      | G       | H    | I      | J      | K      | L      | WEIGHT<br>(lbs.)<br>no trim |
|--------|--------|--------|--------|--------|---------|------|--------|--------|--------|--------|-----------------------------|
| 2"     | 1"     | 4"     | 3 1/2" | 4 1/2" | 6 1/2"  | 1/4" | 1 1/2" | 2 1/4" | 2 1/2" | 4 3/4" | 4.5                         |
| 2 1/2" | 1 1/4" | 4 1/2" | 4"     | 5"     | 7"      | 1/4" | 1 1/2" | 2 1/2" | 2 3/4" | 5 1/2" | 8                           |
| 65MM   | 1 1/4" | 4 1/2" | 4"     | 5"     | 7"      | 1/4" | 1 1/2" | 2 1/2" | 2 3/4" | 5 1/2" | 8                           |
| 3"     | 1 1/4" | 5"     | 4 1/2" | 6"     | 7 3/4"  | 1/4" | 2"     | 3"     | 3 3/4" | 6 3/4" | 12                          |
| 4"     | 2"     | 6 1/4" | 4"     | 6 1/2" | 8 1/2"  | 1/4" | 2 1/2" | 3 1/2" | 4 1/4" | 7 1/2" | 17.5                        |
| 6"     | 2"     | 8"     | 5"     | 8"     | 10 1/2" | 1/4" | 3 1/4" | 4 1/4" | 5 1/2" | 10"    | 40.5                        |
| 150MM  | 2"     | 8"     | 5"     | 8"     | 10 1/2" | 1/4" | 3 1/4" | 4 1/4" | 5 1/2" | 10"    | 40.5                        |

# SWING CHECK VALVE - 2", 2 1/2", 65MM, 3", 4", 6", & 150MM MODEL RCV-STANDARD & "SHOTGUN" GROOVE/GROOVE



**CROSS SECTION**

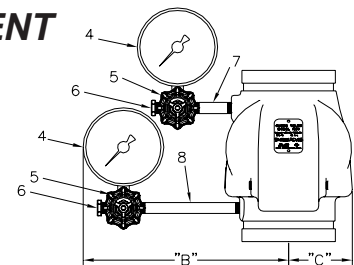


**TOP VIEW**

| ITEM | DESCRIPTION         | MATERIAL        | 2" P/N | 2 1/2" P/N | 3" P/N | 4" P/N | 6" P/N     |
|------|---------------------|-----------------|--------|------------|--------|--------|------------|
|      |                     |                 |        | 65mm       |        |        | 150mm      |
| 1    | Hinge Pin           | Stainless Steel | 321521 | 321528     | 321535 | 321541 | 321549     |
| 2    | Torsion Spring      | Stainless Steel | 321523 | 321531     | 321531 | 321545 | 321554     |
| 3    | Machined Body (DIN) | Cast Iron       | 321501 | 321503     | 321505 | 321507 | 321509     |
|      |                     |                 |        | (321503-D) |        |        | (321509-D) |
| 4    | 1/2" NPT Plug       | Cast Iron       | 311003 | 311003     | 311003 | 311003 | 311003     |
| 5    | Seat Ring           | Brass           | 321522 | 321530     | 321537 | 321543 | 321551     |
| 6    | Locknut             | Stainless Steel | 321556 | 321556     | 321556 | 321556 | 321556     |
| 7    | Nameplate           | Aluminum        | 321558 | 321558     | 321558 | 321558 | 321558     |
| 8    | Clapper             | Stainless Steel | 321515 | 321527     | 321534 | 321540 | 321548     |
| 9    | Clapper Facing Disc | EPDM            | 321516 | 321529     | 321536 | 321542 | 321550     |
| 10   | Sealing Washer      | Hard Fiber      | 321518 | 321518     | 321518 | 321518 | 321518     |
| 11   | Disc Retainer       | Stainless Steel | 321517 | 321517     | 321517 | 321544 | 321544     |
| 12   | Hex Head Bolt       | Stainless Steel | 321519 | 321519     | 321555 | 321555 | 321559     |

## "SHOTGUN" TRIM ARRANGEMENT

| SIZE   | A       | B       | C      |
|--------|---------|---------|--------|
| 2"     | 10"     | 8 3/4"  | 2 1/4" |
| 2 1/2" | 11"     | 9 1/4"  | 2 1/4" |
| 65mm   | 11"     | 9 1/4"  | 2 1/4" |
| 3"     | 12"     | 9 1/2"  | 2 1/2" |
| 4"     | 13 1/2" | 10"     | 3 1/4" |
| 6"     | 14 1/4" | 10 3/4" | 4"     |
| 150mm  | 14 1/4" | 10 3/4" | 4"     |



**FRONT VIEW**

| ITEM | DESCRIPTION          | 2" (DIN 50)     | 2 1/2"          | 65mm (76mm Groove) | 3" (DIN 80)     | 4" (DIN 100)    | 6"              | 150mm (165mm Groove) | QTY. |
|------|----------------------|-----------------|-----------------|--------------------|-----------------|-----------------|-----------------|----------------------|------|
| 1    | RCV                  | 321526          | 321533          | 321533-D           | 321539          | 321547          | 321557          | 321557-D             | 1    |
| 2    | Angle Valve          | 311614 (1")     | 311615 (1 1/4") | 311615 (1 1/4")    | 311615 (1 1/4") | 311617 (2")     | 311617 (2")     | 311617 (2")          | 1    |
| 3    | Close Nipple         | 310500 (1")     | 310600 (1 1/4") | 310600 (1 1/4")    | 310600 (1 1/4") | 310800 (2")     | 310800 (2")     | 310800 (2")          | 1    |
| 4    | 1/4" Water Gauge     | 300119          | 300119          | 300119             | 300119          | 300119          | 300119          | 300119               | 2    |
| 5    | 1/4" 3 Way Valve     | 311683          | 311683          | 311683             | 311683          | 311683          | 311683          | 311683               | 2    |
| 6    | 1/4" Plug            | 311001          | 311001          | 311001             | 311001          | 311001          | 311001          | 311001               | 2    |
| 7    | 1/4" Nipple          | 311101 (1 1/2") | 311102 (2")     | 311102 (2")        | 310102 (2")     | 310103 (2 1/2") | 310103 (2 1/2") | 310103 (2 1/2")      | 1    |
| 8    | 1/4" x 5 1/2" Nipple | 310109          | 310109          | 310109             | 310109          | 310109          | 310109          | 310109               | 1    |

## ORDERING INFORMATION

### SPECIFY

- Quantity • Model Number
- Standard or Shotgun style.



## GLOBE® PRODUCT WARRANTY

Globe agrees to repair or replace any of its own manufactured products found to be defective in material or workmanship for a period of one year from date of shipment.

For specific details of our warranty please refer to Price List Terms and Conditions of Sale (Our Price List).

4077 AIRPARK DRIVE, STANDISH, MICHIGAN 48658  
989-846-4583 FAX 989-846-9231