



AUTOMATIC SPRINKLERS GL SERIES DRY TYPE UPRIGHT

DESCRIPTION AND OPERATION

The Globe GL Series Dry Type Upright Sprinkler is designed for use in special applications such as freezing environments. As an example, they may be efficiently used when connected to a wet type sprinkler system and extended into an unheated attic space.

The Globe GL Series Dry Type Upright Sprinkler utilizes a frangible glass ampule sprinkler. At the ampule's rated temperature, the sprinkler opens releasing the bulb seat, causing the inner tube assembly to move, allowing the spring assembly to pivot alongside the inner tube. At this time, water flows through the sprinkler and is distributed by the deflector, in the approved discharge pattern.

The heart of Globe's GL Series sprinkler proven actuating assembly is a hermetically sealed frangible glass ampule that contains a precisely measured amount of fluid. When heat is absorbed, the liquid within the bulb expands increasing the internal pressure. At the prescribed temperature the internal pressure within the ampule exceeds the strength of the glass causing the glass to shatter. This results in water discharge which is distributed in an approved pattern.



DRY UPRIGHT

TECHNICAL DATA

- See reverse side for Approvals and Specifications.
- Temperature Ratings - 135°F (57°C), 155°F (68°C), 175°F (79°C), 200°F (93°C), 286°F (141°C).
- Water Working Pressure Rating - 175 psi (12 Bars).
- Factory tested hydrostatically to 500 psi (34 Bars).
- Maximum low temperature glass bulb rating is -67°F (-55°C).
- Frame - bronze • Deflector - brass • Screw - brass
- Bulb seat - brass • Spring assembly - teflon coated nickel alloy and brass
- Bulb - glass with glycerin solution, 5mm • Orifice insert - brass
- 3/4 NPT or 1" NPT • Stabilizer bar - bronze
- Outer tube - galvanized steel pipe • Inner tube - stainless steel

•SPRINKLER TEMPERATURE RATING/CLASSIFICATION and COLOR CODING

CLASSIFICATION	AVAILABLE SPRINKLER TEMPERATURES		BULB COLOR	N.F.P.A. MAXIMUM CEILING TEMPERATURE	
ORDINARY	135°F/155°F	57°C/68°C	ORANGE/RED	100°F	38°C
INTERMEDIATE	175°F/200°F	79°C/93°C	YELLOW/GREEN	150°F	66°C
HIGH	286°F	141°C	BLUE	225°F	107°C

AUTOMATIC SPRINKLERS GL SERIES DRY TYPE

SPECIFICATIONS

NOMINAL "K" FACTOR	THREAD SIZE	LENGTH	FINISHES
5.6 (80 metric)	3/4" or 1" NPT	cULus Variable to 48"	Factory Bronze Satin Chrome ¹ Bright Chrome White Polyester Black Polyester Lead Coated ¹ Wax Coated ¹ Wax over Lead ¹
8.1 (116 metric)	1" NPT	FM Variable to 36"	

NOTE:

Metric conversions are approximate

cULus listed corrosions resistant; Polyester must be specified on order.

¹Finishes available on special order;

- Wax Coating cULus listed up to 200°F.

APPROVALS

STYLE	SIN MODEL	K FACTOR	THREAD SIZE	135°F 57°C	155°F 68°C	175°F 79°C	200°F 93°C	286°F 141°C	cULus	* FM	NYC - DOB MEA 101-92-E
UPRIGHT	GL5683	5.6	1" NPT	X	X	X	X	X	X	X	X
	GL5684	5.6	3/4" NPT	X	X	X	X	X	X	-	X
	GL8183	8.1	1" NPT	X	X	X	X	X	X	-	X

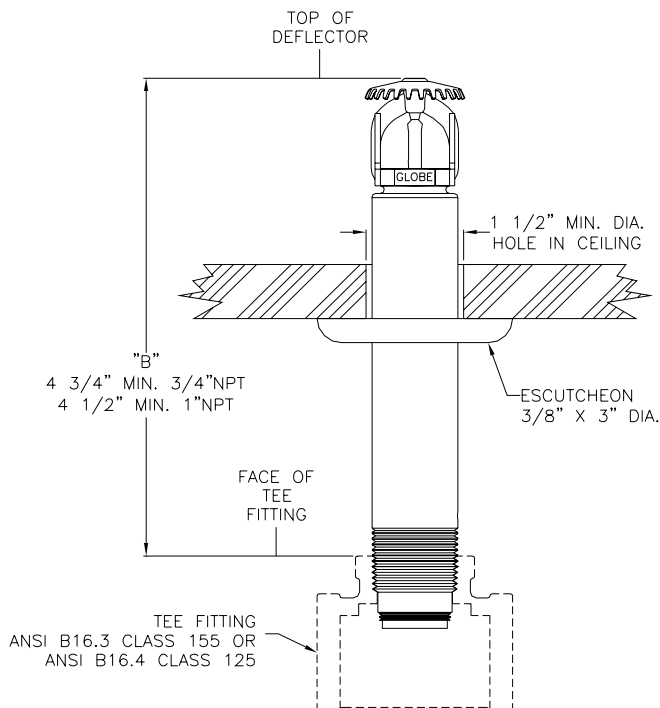
NOTE:

Listed for all hazards.

Dry Upright Sprinklers require a minimum operating pressure of 12 psi.

* Dry Upright - FM Approved 155°F, 200°F, and 286°F.

CROSS SECTION



IMPORTANT INSTALLATION DATA

Globe GL Series Dry Upright sprinklers should be installed in accordance with the requirements set forth in NFPA 13. These sprinklers are to be installed using a pipe wrench applied to the end fitting. When this is not possible, the proper sprinkler head wrench may be used with extreme care for lengths up to approximately 18". Excessive force may distort the frame thus destroying the unit.

The GL Series Dry Sprinkler must not be installed in a short radius 90° elbow. When installing in other than an iron tee, the clearances between the end of the sprinkler and fitting should be checked.

For further important installation data, please refer to our Dry Sprinkler Caution Sheet.

ORDERING INFORMATION

SPECIFY

- Quantity • Model Number • Style
- Orifice • Temperature • Finishes desired
- Quantity - Wrenches - P/N 333010
- "B" Dimension - Distance from face of fitting to the top of the deflector.

GLOBE® PRODUCT WARRANTY

Globe agrees to repair or replace any of its own manufactured products found to be defective in material or workmanship for a period of one year from date of shipment.

For specific details of our warranty please refer to Price List Terms and Conditions of Sale (Our Price List).

4077 AIRPARK DRIVE, STANDISH, MICHIGAN 48658

989-846-4583

1-800-248-0278

FAX 989-846-9231

www.globesprinkler.com

