



**QUICK RESPONSE  
CONCEALED  
EXTENDED COVERAGE  
LIGHT HAZARD  
AUTOMATIC SPRINKLERS  
MODELS GL5613, GL8113  
HORIZONTAL SIDEWALL**

**DESCRIPTION AND OPERATION**

The Globe Quick Response GL5613 and GL8113 Extended Coverage Horizontal Sidewall Adjustable Concealed Sprinkler for light hazard occupancies, have the lowest profile available for this type of sprinkler, providing an aesthetically pleasing design. It provides sprinkler operation approximately six times faster than ordinary sprinklers and can be installed wherever standard concealed spray sprinklers are specified when allowed by the applicable standards, and in accordance with NFPA 13. The sprinkler has 1/2" of adjustment for ease of installation. All that is seen on the wall is a 3 1/4" diameter wall plate color finished to match the specifiers exact requirements. In addition to making the sprinkler much less noticeable, the wall plate assembly also provides protection for the sprinkler from flying or hanging objects.

The heart of Globe's Model GL Series sprinkler proven actuating assembly is a hermetically sealed frangible glass ampule that contains a precisely measured amount of fluid. The 3mm frangible glass ampule provides sprinkler operation approximately six times faster than standard response sprinklers, they can also be installed wherever standard extended coverage horizontal sidewall sprinklers are specified. The wall plate is soldered to the sprinkler's special upper support assembly in three places. Upon the application of sufficient heat, the plate falls to the floor exposing the quick response sprinkler. At the rated temperature the internal pressure within the ampule exceeds the strength of the glass causing the glass to shatter. This results in water discharge which is distributed in an approved pattern.

**TECHNICAL DATA**

- See reverse side for Approvals and Specifications.
- Temperature Ratings -
  - 135°F (57°C) Sprinkler, 135°F (57°C) Cover Plate;
  - 155°F (68°C) Sprinkler, 135°F (57°C) Cover Plate
  - 175°F (79°C) Sprinkler, 155°F (68°C) Cover Plate.
- Water Working Pressure Rating - 175 psi (12 Bars).
- Factory tested hydrostatically to 500 psi (34 Bars).
- Maximum low temperature glass bulb rating is -67°F (-55°C).
- Frame - bronze • Deflector - brass • Screw - brass
- Bulb seat - copper • Spring - nickel alloy • Seal - teflon
- Bulb - glass with alcohol based solution, 3mm size.
- Cover Plate - brass
- Upper Escutcheon Assembly - steel



**QUICK RESPONSE  
CONCEALED  
EXTENDED COVERAGE  
HORIZONTAL SIDEWALL**

**• SPRINKLER TEMPERATURE RATING/CLASSIFICATION and COLOR CODING**

CLASSIFICATION	AVAILABLE SPRINKLER TEMPERATURES	BULB COLOR	N.F.P.A. MAXIMUM CEILING TEMPERATURE	
ORDINARY	135°F / 155°F	ORANGE / RED	100°F	38°C
INTERMEDIATE	175°F	YELLOW	150°F	66°C

# QUICK RESPONSE

# CONCEALED EXTENDED COVERAGE LIGHT HAZARD AUTOMATIC SPRINKLERS MODELS GL5613, GL8113 HORIZONTAL SIDEWALL

## SPECIFICATIONS

NOMINAL "K" FACTOR	THREAD SIZE	FINISHES
5.6 (80 metric)	1/2" NPT	Bright Chrome White Painted *Satin Chrome
8.1 (116 metric)	3/4" NPT	*Bright Brass *Other Painted Surfaces

NOTE: METRIC CONVERSIONS ARE APPROXIMATE.

\*FINISHES AVAILABLE ON SPECIAL ORDER. FOR PAINTED PLATES OTHER THAN WHITE, CONTACT GLOBE FOR ORDERING SPECIFICATIONS.

## APPROVALS

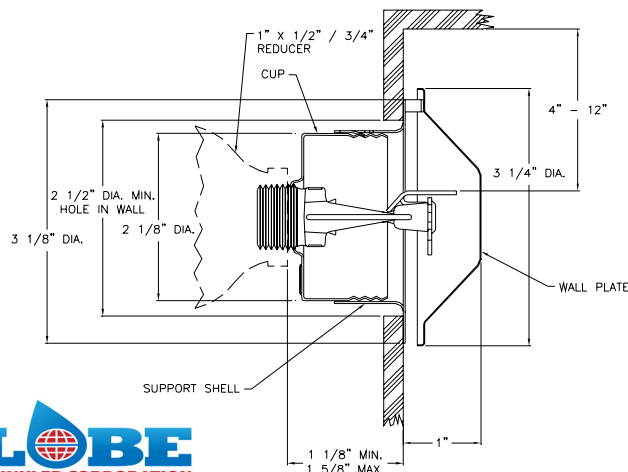
STYLE	SIN MODEL	K FACTOR	135°F (57°C)	155°F (68°C)	175°F (79°C)	cULus	NYC - DOB MEA 101-92-E
			WITH PLATE 135°F (57°C)	WITH PLATE 135°F (57°C)	WITH PLATE 155°F (68°C)		
CONCEALED SIDEWALL	GL 5613	5.6	X	X	X	X	X
	GL8113	8.1	X	X	X	X	X

### U.L. LISTING DESIGN - USE REQUIREMENTS FOR LIGHT HAZARDS

SIN MODEL	K-FACTOR	TEMPERATURE	CEILING TO DEFLECTOR DISTANCE	WIDTH OF COVERAGE	LENGTH OF COVERAGE	MIN. PRESSURE P.S.I.	FLOW IN G.P.M.
GL5613	5.6	135°F / 57°C 155°F / 68°C 175°F / 79°C	4" TO 6"	16'	16'	26.8	29
					18'	26.8	29
					*20'	32.7	32
			6" TO 12"		16'	32.7	32
					18'	32.7	32
					*20'	32.7	32
GL8113	8.1	135°F / 57°C 155°F / 68°C 175°F / 79°C	4" TO 12"	16'	16'	10.3	26
			4" TO 6"		18'	12.8	29
			6" TO 12"		18'	15.6	32
			4" TO 6"		*20'	15.6	32
			6" TO 12"		*20'	20.9	37

\* 155°F NOT LISTED IN 16' x 20' ROOM SIZE, USE EITHER 135°F OR 175°F.  
7' MINIMUM SPACING FOR GL5613 AND 6' MINIMUM SPACING FOR GL8113.

## CROSS SECTION



## ORDERING INFORMATION

### SPECIFY

- Quantity • Model Number • Style
- Orifice • Temperature • Finishes desired
- Quantity - 5.6K Wrenches - P/N 329678
- Quantity - 8.1K Wrenches - P/N 329679
- Quantity - Protective Caps - P/N 327119

## GLOBE® PRODUCT WARRANTY

Globe agrees to repair or replace any of its own manufactured products found to be defective in material or workmanship for a period of one year from date of shipment.

For specific details of our warranty please refer to Price List Terms and Conditions of Sale (Our Price List).

GLOBE FIRE SPRINKLER CORPORATION  
4077 AIRPARK DRIVE, STANDISH, MICHIGAN 48658  
989-846-4583 FAX 989-846-9231  
1-800-248-0278 www.globesprinkler.com

